
Stream: Internet Engineering Task Force (IETF)

RFC: [8795](#)

Category: Standards Track

Published: August 2020

ISSN: 2070-1721

Authors:

X. Liu

Volta Networks

I. Bryskin

Futurewei Technologies, Inc.

V. Beeram

Juniper Networks

T. Saad

Juniper Networks

H. Shah

Ciena

O. Gonzalez de Dios

Telefonica

RFC 8795

YANG Data Model for Traffic Engineering (TE) Topologies

Abstract

This document defines a YANG data model for representing, retrieving, and manipulating Traffic Engineering (TE) Topologies. The model serves as a base model that other technology-specific TE topology models can augment.

Status of This Memo

This is an Internet Standards Track document.

This document is a product of the Internet Engineering Task Force (IETF). It represents the consensus of the IETF community. It has received public review and has been approved for publication by the Internet Engineering Steering Group (IESG). Further information on Internet Standards is available in Section 2 of RFC 7841.

Information about the current status of this document, any errata, and how to provide feedback on it may be obtained at <https://www.rfc-editor.org/info/rfc8795>.

Copyright Notice

Copyright (c) 2020 IETF Trust and the persons identified as the document authors. All rights reserved.

This document is subject to BCP 78 and the IETF Trust's Legal Provisions Relating to IETF Documents (<https://trustee.ietf.org/license-info>) in effect on the date of publication of this document. Please review these documents carefully, as they describe your rights and restrictions

with respect to this document. Code Components extracted from this document must include Simplified BSD License text as described in Section 4.e of the Trust Legal Provisions and are provided without warranty as described in the Simplified BSD License.

Table of Contents

1. Introduction
 - 1.1. Terminology
 - 1.2. Tree Structure
 - 1.3. Prefixes in Data Node Names
2. Characterizing TE Topologies
3. Modeling Abstractions and Transformations
 - 3.1. TE Topology
 - 3.2. TE Node
 - 3.3. TE Link
 - 3.4. Transitional TE Link for Multi-layer Topologies
 - 3.5. TE Link Termination Point (LTP)
 - 3.6. TE Tunnel Termination Point (TTP)
 - 3.7. TE Node Connectivity Matrix
 - 3.8. TTP Local Link Connectivity List (LLCL)
 - 3.9. TE Path
 - 3.10. TE Inter-layer Lock
 - 3.11. Underlay TE Topology
 - 3.12. Overlay TE Topology
 - 3.13. Abstract TE Topology
4. Model Applicability
 - 4.1. Native TE Topologies
 - 4.2. Customized TE Topologies
 - 4.3. Merging TE Topologies Provided by Multiple Providers
 - 4.4. Dealing with Multiple Abstract TE Topologies Provided by the Same Provider
5. Modeling Considerations
 - 5.1. Network Topology Building Blocks

- 5.2. Technology-Agnostic TE Topology Model
- 5.3. Model Structure
- 5.4. Topology Identifiers
- 5.5. Generic TE Link Attributes
- 5.6. Generic TE Node Attributes
- 5.7. TED Information Sources
- 5.8. Overlay/Underlay Relationship
- 5.9. Templates
- 5.10. Scheduling Parameters
- 5.11. Notifications
- 6. Guidance for Writing Technology-Specific TE Topology Augmentations
- 7. TE Topology YANG Module
- 8. Security Considerations
- 9. IANA Considerations
- 10. References
 - 10.1. Normative References
 - 10.2. Informative References
- Appendix A. Complete Model Tree Structure
- Appendix B. Companion YANG Data Model for Non-NMDA-Compliant Implementations
 - B.1. TE Topology State YANG Module
- Appendix C. Example: YANG Data Model for Technology-Specific Augmentations
- Acknowledgments
- Contributors
- Authors' Addresses

1. Introduction

The Traffic Engineering Database (TED) is an essential component of Traffic Engineered (TE) systems that are based on MPLS-TE [RFC2702] and GMPLS [RFC3945]. The TED is a collection of all TE information about all TE nodes and TE links in the network. The TE topology is a schematic

arrangement of TE nodes and TE links present in a given TED. There could be one or more TE topologies present in a given TE system. A TE topology is the topology on which path computational algorithms are run to compute TE paths.

This document defines a YANG data model [[RFC7950](#)] for representing, retrieving, and manipulating TE topologies. This model contains technology-agnostic TE topology building blocks that can be augmented and used by other technology-specific TE topology models.

1.1. Terminology

The key words "MUST", "MUST NOT", "REQUIRED", "SHALL", "SHALL NOT", "SHOULD", "SHOULD NOT", "RECOMMENDED", "NOT RECOMMENDED", "MAY", and "OPTIONAL" in this document are to be interpreted as described in BCP 14 [[RFC2119](#)] [[RFC8174](#)] when, and only when, they appear in all capitals, as shown here.

We assume that the reader is familiar with the general body of work captured in currently available RFCs related to Traffic Engineering. [[RFC7926](#)] serves as a good starting point for those who may be less familiar with RFCs related to Traffic Engineering.

Some of the key terms used in this document are as follows:

TED: The Traffic Engineering Database (TED) is a collection of all TE information about all TE nodes and TE links in a given network.

TE topology: The TE topology is a schematic arrangement of TE nodes and TE links in a given TED. It forms the basis for a graph suitable for TE path computations.

Native TE topology: A Native TE topology is a topology that is native to a given provider network. A Native TE topology could be discovered via various routing protocols and/or subscribe/publish techniques. This is the topology on which path computational algorithms are run to compute TE paths.

Customized TE topology: A Customized TE topology is a custom topology that is produced by a provider for a given client. This topology typically makes abstractions on the provider's Native TE topology and is provided to the client. The client receives the Customized TE topology and merges it into the client's Native TE topology. The client's path computational algorithms aren't typically run on the Customized TE topology; they are run on the client's Native TE topology after the merge.

1.2. Tree Structure

A simplified graphical representation of the data model is presented in [Appendix A](#) of this document. The tree format defined in [[RFC8340](#)] is used for the YANG data model tree representation.

1.3. Prefixes in Data Node Names

In this document, names of data nodes and other data model objects are prefixed using the standard prefix associated with the corresponding YANG imported modules, as shown in [Table 1](#).

Prefix	YANG Module	Reference
yang	ietf-yang-types	[RFC6991]
inet	ietf-inet-types	[RFC6991]
nw	ietf-network	[RFC8345]
nt	ietf-network-topology	[RFC8345]
te-types	ietf-te-types	[RFC8776]

Table 1: Prefixes and Corresponding YANG Modules

2. Characterizing TE Topologies

The data model defined by this document takes the following characteristics of TE topologies into account:

- The TE topology is an abstract control-plane representation of the data-plane topology. Hence, attributes specific to the data plane must make their way into the corresponding TE topology modeling. The TE topology is comprised of dynamic autodiscovered data as well as fairly static data associated with data-plane nodes and links. The dynamic data, such as unreserved bandwidth available on data-plane links, may change frequently. The static data, such as layer network identification, switching and adaptation capabilities and limitations, fate-sharing, and administrative colors, rarely changes. It is possible for a single TE topology to encompass TE information at multiple switching layers.
- TE topologies are protocol independent. Information about topological elements may be learned via link-state protocols, but the topology can exist without being dependent on any particular protocol.
- The TE topology may not be congruent with the routing topology in a given TE system. The routing topology is constructed based on routing adjacencies. There isn't always a one-to-one association between a TE link and a routing adjacency. For example, the presence of a TE link between a pair of nodes doesn't necessarily imply the existence of a routing adjacency between these nodes. To learn more, see [\[TEAS-TOPO\]](#) and [\[YANG-L3\]](#).
- Each TE topological element has at least one information source associated with it. In some scenarios, there could be more than one information source associated with any given topological element.

- TE topologies can be hierarchical. Each node and link of a given TE topology can be associated with a respective underlay topology. This means that each node and link of a given TE topology can be associated with an independent stack of supporting TE topologies.
- TE topologies can be customized. TE topologies of a given network presented by the network provider to its client could be customized on a per-client-request basis. This customization could be performed by the provider, by the client, or by provider/client negotiation. The relationship between a customized topology and the provider's native topology could be captured as hierarchical (overlay/underlay), but otherwise the two topologies are decoupled from each other. A customized topology is presented to the client, while the provider's native topology is known in its entirety to the provider itself.

3. Modeling Abstractions and Transformations

3.1. TE Topology

A TE topology is a Traffic Engineering representation of one or more layers of network topologies. A TE topology is comprised of TE nodes (TE graph vertices) interconnected via TE links (TE graph edges). A TE topology is mapped to a TE graph.

3.2. TE Node

A TE node is an element of a TE topology, presented as a vertex on a TE graph. A TE node represents one or several nodes, or a fraction of a node, which can be a switch or router that is physical or virtual. A TE node belongs to and is fully defined in exactly one TE topology. A TE node is assigned a unique ID within the TE topology scope. TE node attributes include information related to the data-plane aspects of the associated node(s) (e.g., connectivity matrix), as well as configuration data (such as the TE node name). A given TE node can be reached on the TE graph over one of the TE links terminated by the TE node.

Multi-layer TE nodes providing switching functions at multiple network layers are an example where a physical node can be decomposed into multiple logical TE nodes, which are fractions of the physical node. Some of these (logical) TE nodes may reside in the client-layer TE topology, while the remaining TE nodes belong to the server-layer TE topology.

In [Figure 1](#), Node-1, Node-2, and Node-3 are TE nodes.

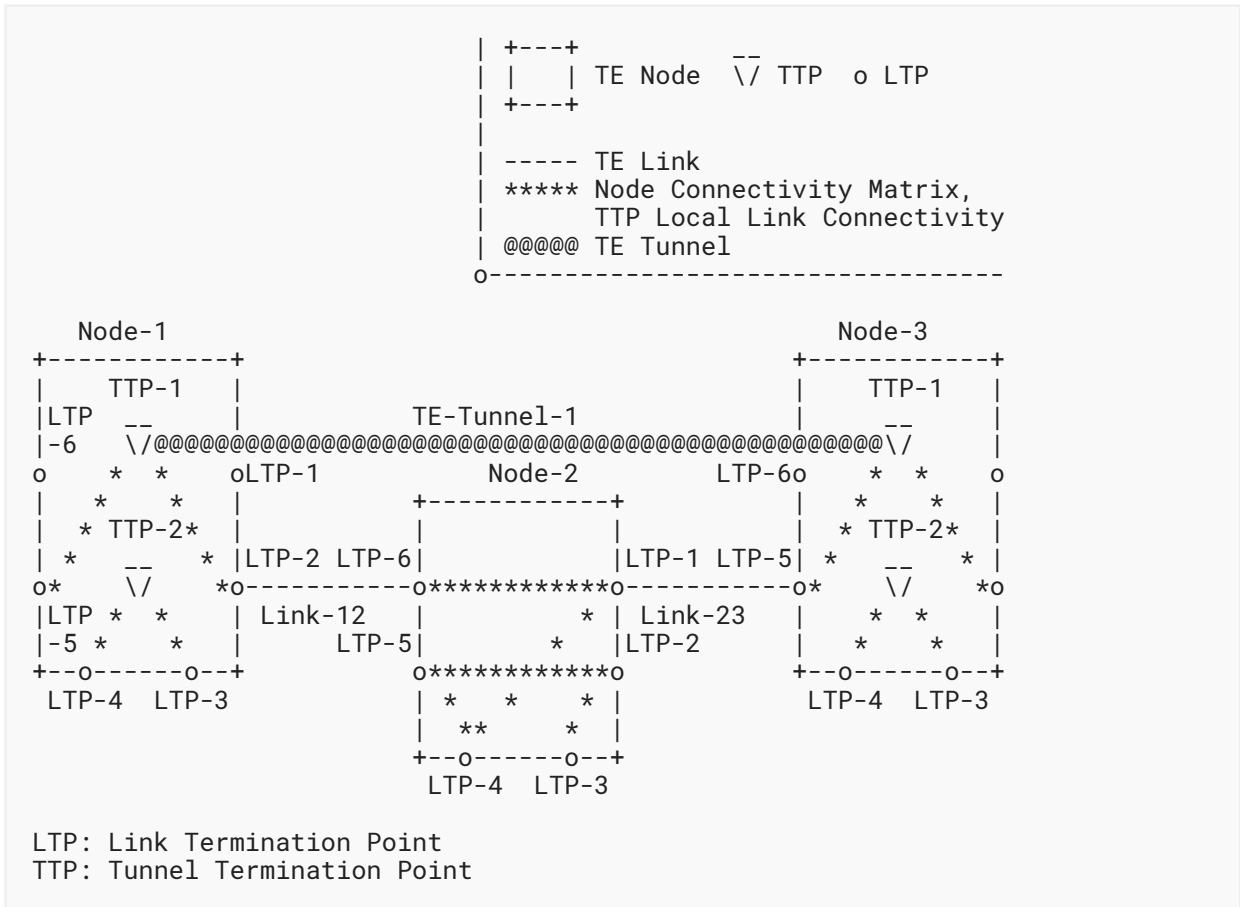


Figure 1: TE Topology Modeling Abstractions

3.3. TE Link

A TE link is an element of a TE topology, presented as an edge on a TE graph. The arrows on an edge indicate one or both directions of the TE link. When there are a pair of parallel links of opposite directions, an edge without arrows is also used. A TE link represents one or several (physical) links or a fraction of a link. A TE link belongs to and is fully defined in exactly one TE topology. A TE link is assigned a unique ID within the TE topology scope. TE link attributes include parameters related to the data-plane aspects of the associated link(s) (unreserved bandwidth, resource maps / resource pools, etc.), as well as the configuration data (remote node IDs / link IDs, Shared Risk Link Groups (SRLGs), administrative colors, etc.). A TE link is connected to a TE node, terminating the TE link via exactly one TE Link Termination Point (LTP).

In [Figure 1](#), Link-12 and Link-23 are TE links.

3.4. Transitional TE Link for Multi-layer Topologies

Networks are typically composed of multiple network layers where one or multiple signals in the client-layer network can be multiplexed and encapsulated into a server-layer signal [[RFC5212](#)] [[G.805](#)]. The server-layer signal can be carried in the server-layer network across multiple nodes

until the server-layer signal is terminated and the client-layer signals reappear in the node that terminates the server-layer signal. Examples of multi-layer networks include (1) IP over MPLS over Ethernet and (2) low-order Optical Data Unit-k (ODUk) signals multiplexed into a high-order ODUl (l>k) carried over an Optical Channel (OCh) signal in an Optical Transport Network (OTN) as defined in [G.872] and [G.709].

TE links as defined in [Section 3.3](#) can be used to represent links within a network layer. In the case of a multi-layer network, TE nodes and TE links only allow the representation of each network layer as a separate TE topology. Each of these single-layer TE topologies would be isolated from their client and their server-layer TE topology, if present. The highest network layer and the lowest network layer in the hierarchy only have a single adjacent layer below or above, respectively. Multiplexing client-layer signals and encapsulating them into a server-layer signal require a function that is provided inside a node (typically realized in hardware). This function is also called "layer transition".

One of the key requirements for path computation is to be able to calculate a path between two endpoints across a multi-layer network based on the TE topology representing this multi-layer network. This means that an additional TE construct is needed that represents potential layer transitions in the multi-layer TE topology that connects the TE topologies representing each separate network layer. The so-called transitional TE link is such a construct, and it represents the layer transition function residing inside a node that is decomposed into multiple logical nodes that are represented as TE nodes (also see [G.8080] for the definition of a transitional link for the OTN). Hence, a transitional TE link connects a client-layer node with a server-layer node. A TE link as defined in [Section 3.3](#) has LTPs of exactly the same kind on each link end, whereas the transitional TE link has client-layer LTPs on the client side of the transitional link and, in most cases, a single server-layer LTP on the server side. It should be noted that transitional links are a helper construct in the multi-layer TE topology and they only exist as long as they are not in use, as they represent potential connectivity. When the server-layer trail has been established between the server-layer LTP of two transitional links in the server-layer network, the resulting client-layer link in the data plane will be represented as a normal TE link in the client-layer topology. The transitional TE links will reappear when the server-layer trail has been torn down.

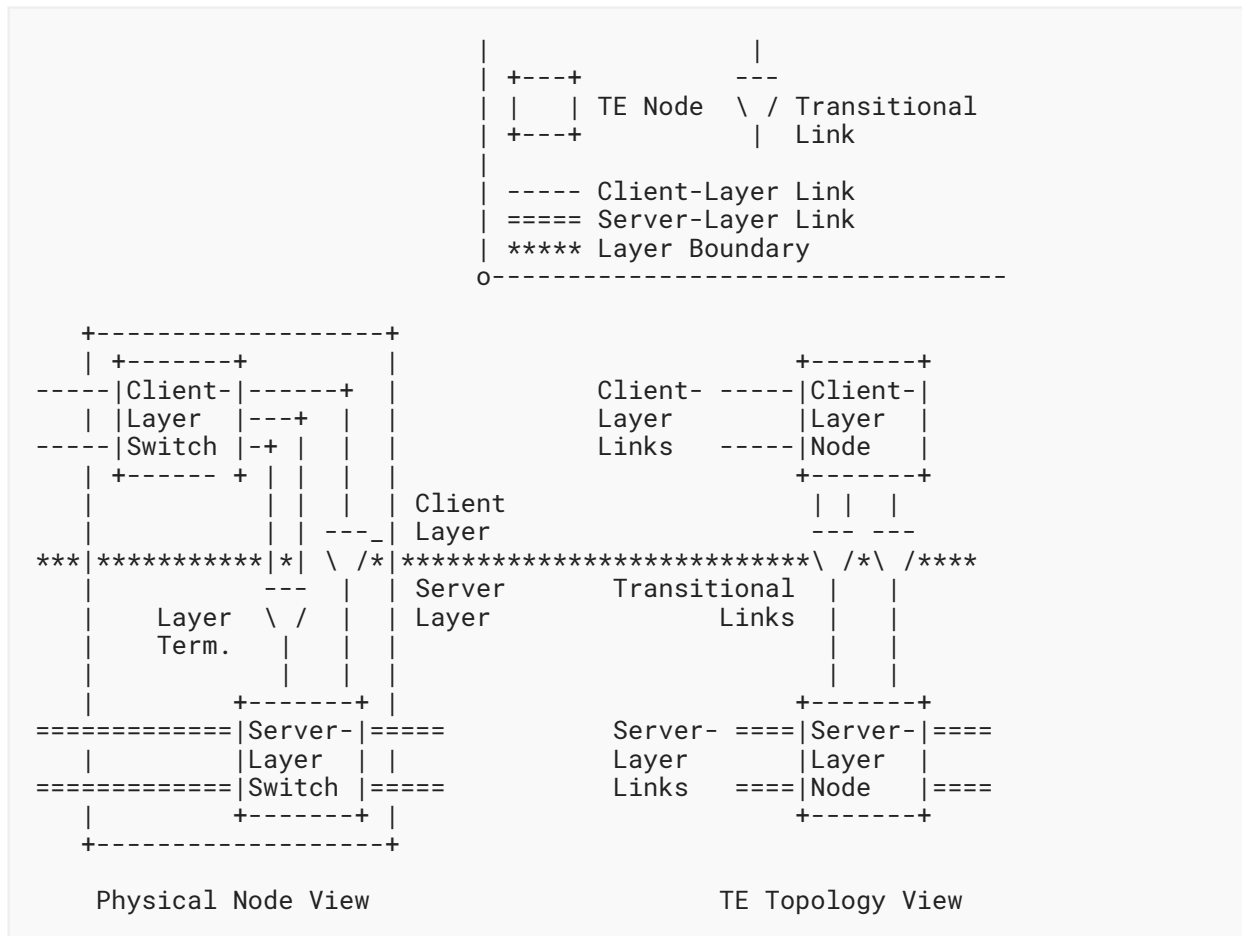


Figure 2: Modeling a Multi-layer Node (Dual-layer Example)

3.5. TE Link Termination Point (LTP)

A TE Link Termination Point (LTP) is a conceptual point of connection of a TE node to one of the TE links, terminated by the TE node. Cardinality between an LTP and the associated TE link is 1:0..1.

In Figure 1, Node-2 has six LTPs: LTP-1 through LTP-6.

3.6. TE Tunnel Termination Point (TTP)

A TE Tunnel Termination Point (TTP) is an element of a TE topology representing one or several potential transport service termination points (i.e., service client adaptation points, such as a WDM/OCh transponder). ("WDM" stands for "Wavelength Division Multiplexing".) A TTP is associated with (hosted by) exactly one TE node. A TTP is assigned a unique ID within the TE node scope. Depending on the TE node's internal constraints, a given TTP hosted by the TE node could be accessed via one, several, or all TE links terminated by the TE node.

In Figure 1, Node-1 has two TTPs: TTP-1 and TTP-2.

3.7. TE Node Connectivity Matrix

A TE node connectivity matrix is a TE node's attribute describing the TE node's switching limitations in the form of valid switching combinations of the TE node's LTPs (see below). From the point of view of a potential TE path arriving at the TE node at a given inbound LTP, the node's connectivity matrix describes valid (permissible) outbound LTPs from which the TE path can leave the TE node.

In [Figure 1](#), the connectivity matrix on Node-2 is as follows:

```
{<LTP-6, LTP-1>, <LTP-5, LTP-2>, <LTP-5, LTP-4>, <LTP-4, LTP-1>, <LTP-3, LTP-2>}
```

3.8. TTP Local Link Connectivity List (LLCL)

A TTP Local Link Connectivity List (LLCL) is a list of TE links terminated by the TE node hosting a TTP, to which the TTP could be connected. From the point of view of the potential TE path of a connection, an LLCL provides a list of valid TE links the TE path needs to start/stop on for the connection to be successfully terminated on a TTP.

In [Figure 1](#), the LLCL on Node-1 is as follows:

```
{<TTP-1, LTP-5>, <TTP-1, LTP-2>, <TTP-2, LTP-3>, <TTP-2, LTP-4>}
```

3.9. TE Path

A TE path is an ordered list of TE links and/or TE nodes on the TE topology graph; this path interconnects a pair of TTPs to be used by a potential connection. For example, TE paths could be a product of successful path computation performed for a given transport service.

In [Figure 1](#), the TE path for TE-Tunnel-1 is as follows:

```
{Node-1:TTP-1, Link-12, Node-2, Link-23, Node-3:TTP-1}
```

3.10. TE Inter-layer Lock

A TE inter-layer lock is a modeling concept describing adaptation relationships between the client layer and the server layer and hence is important for multi-layer Traffic Engineering. It is an association of M client-layer LTPs and N server-layer TTPs, within which data arriving at any of the client-layer LTPs could be adopted onto any of the server-layer TTPs. A TE inter-layer lock is identified by an inter-layer lock ID, which is unique across all TE topologies provided by the same provider. The client-layer LTPs and the server-layer TTPs associated within a given TE inter-layer lock are annotated with the same inter-layer lock ID attribute.

In [Figure 3](#), a TE inter-layer lock with an ID of IL-1 associates six client-layer LTPs (C-LTP-1 through C-LTP-6) with two server-layer TTPs (S-TTP-1 and S-TTP-2). They all have the same attribute -- TE inter-layer lock ID IL-1, which is the only thing that indicates the association. A given LTP may have zero, one, or more inter-layer lock IDs. In the latter case, this means that the

data arriving at the LTP may be adopted onto any of the TTPs associated with all specified inter-layer locks. For example, C-LTP-1 could have two inter-layer lock IDs -- IL-1 and IL-2. This would mean that C-LTP-1 for adaptation purposes could use not just the TTPs associated with inter-layer lock IL-1 (i.e., S-TTP-1 and S-TTP-2 in the figure) but any of the TTPs associated with inter-layer lock IL-2 as well. Likewise, a given TTP may have one or more inter-layer lock IDs, meaning that it can offer the adaptation service to any of the client-layer LTPs with an inter-layer lock ID matching one of its own. Additionally, each TTP has an unreserved adaptation bandwidth attribute, which announces its remaining adaptation resources that are sharable between all potential client-layer LTPs.

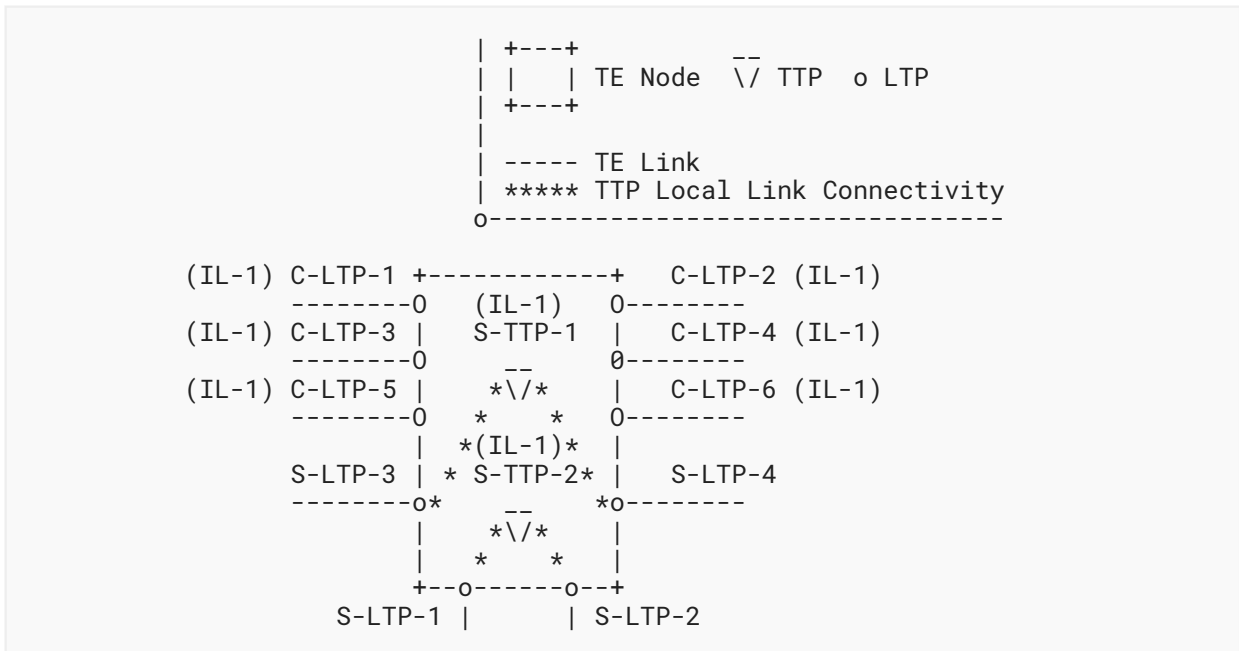


Figure 3: TE Inter-layer Lock ID Associations

LTPs and TTPs associated within the same TE inter-layer lock may be hosted by the same (hybrid, multi-layer) TE node or multiple TE nodes located in the same or separate TE topologies. The latter case is especially important, since TE topologies of different layer networks could be modeled by separate augmentations of the basic (common to all layers) TE topology model.

3.11. Underlay TE Topology

An underlay TE topology is a TE topology that serves as a base for the construction of overlay TE topologies.

3.12. Overlay TE Topology

An overlay TE topology is a TE topology that is constructed based on one or more underlay TE topologies. Each TE node of the overlay TE topology represents an arbitrary segment of an underlay TE topology; each TE link of the overlay TE topology represents an arbitrary TE path in

one of the underlay TE topologies. The overlay TE topology and the supporting underlay TE topologies may represent distinct layer networks (e.g., OTN/ODUk and WDM/OCh, respectively) or the same layer network.

3.13. Abstract TE Topology

An abstract TE topology is a topology that contains abstract topological elements (nodes, links, TTPs). An abstract TE topology is an overlay TE topology created by a topology provider and customized for a topology provider's client based on one or more of the provider's Native TE topologies (underlay TE topologies), the provider's policies, and the client's preferences. For example, a first-level topology provider (such as a domain controller) can create an abstract TE topology for its client (e.g., a multi-domain service coordinator) based on one or more of the provider's Native TE topologies, local policies/profiles, and the client's TE topology configuration requests.

[Figure 4](#) shows an example of an abstract TE topology.

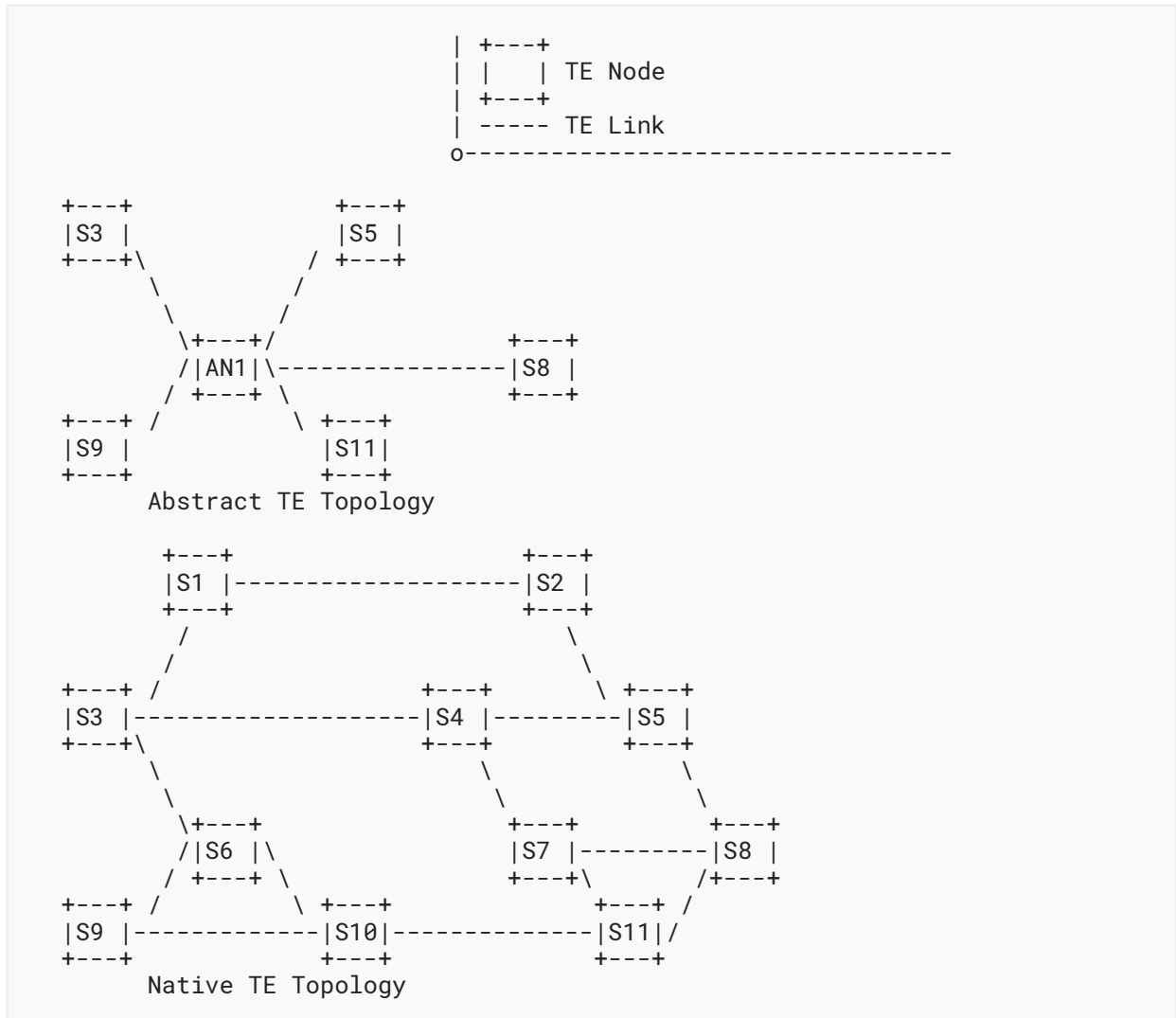


Figure 4: Abstract TE Topology

4. Model Applicability

4.1. Native TE Topologies

The model discussed in this document can be used to represent and retrieve Native TE topologies on a given TE system.

Consider the network topology depicted in [Figure 5](#). R1 .. R9 are nodes representing routers. An implementation **MAY** choose to construct a Native TE topology using all nodes and links present in the given TED as depicted in [Figure 6](#). The data model defined in this document can be used to represent and retrieve this TE topology.

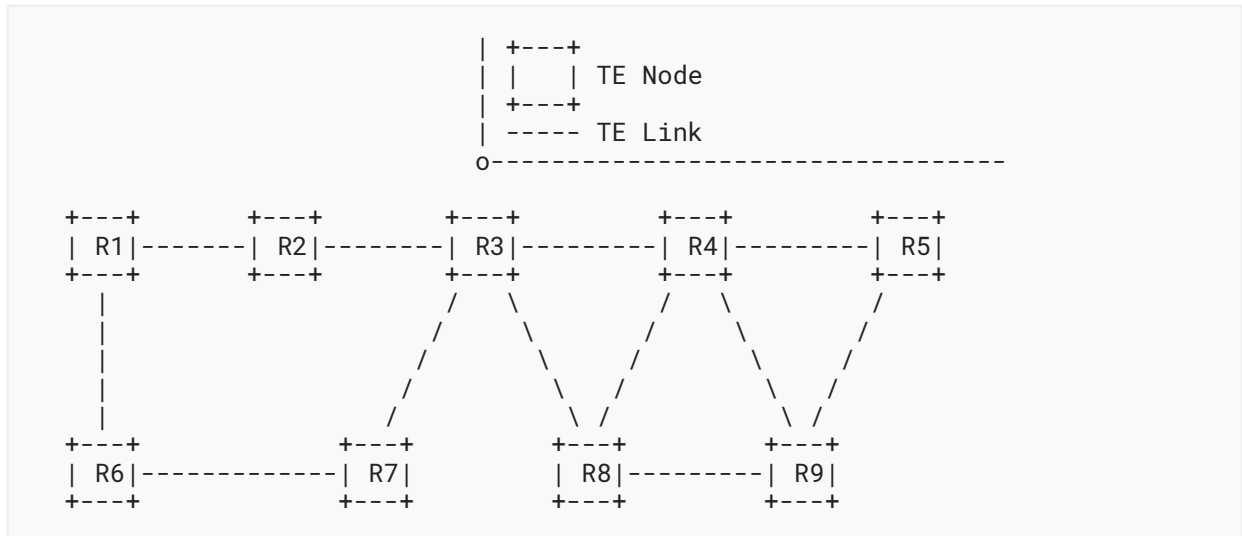


Figure 5: Example Network Topology

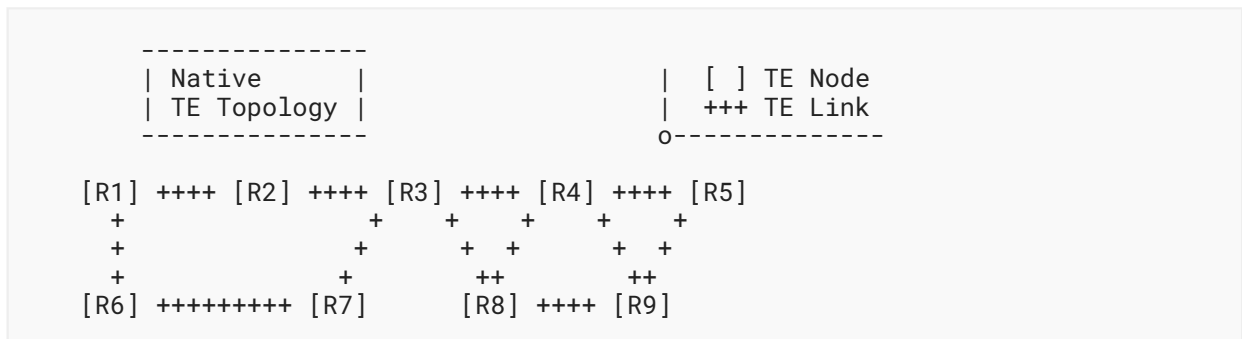


Figure 6: Native TE Topology as Seen on Node R3

Consider the case where the topology is split in a way that some nodes participate in OSPF-TE while others participate in ISIS-TE (Figure 7). An implementation **MAY** choose to construct separate TE topologies based on the information source. The Native TE topologies constructed using only nodes and links that were learned via a specific information source are depicted in Figure 8. The data model defined in this document can be used to represent and retrieve these TE topologies.

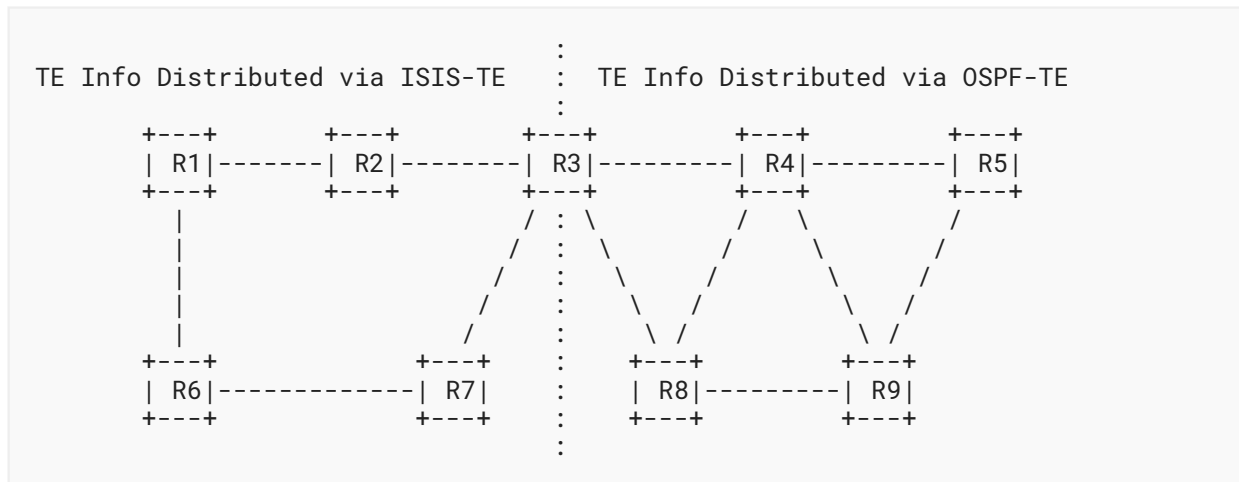


Figure 7: Example Split Network Topology

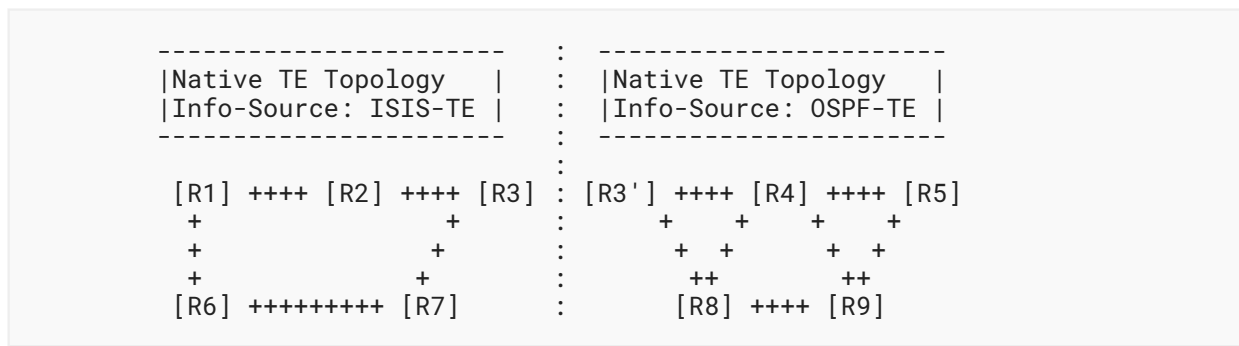


Figure 8: Native TE Topologies as Seen on Node R3

Similarly, the data model can be used to represent and retrieve a TE topology that is constructed using only nodes and links that belong to a particular technology layer. The data model is flexible enough to represent and retrieve many such Native TE topologies.

4.2. Customized TE Topologies

A Customized TE topology is a topology that was modified by the provider to honor a particular client's requirements or preferences. The model discussed in this document can be used to represent, retrieve, and manipulate Customized TE topologies. The model allows the provider to present the network in abstract TE terms on a per-client basis. These customized topologies contain sufficient information for the client to compute and select paths according to its policies.

Consider the network topology depicted in [Figure 9](#). This is a typical packet optical transport deployment scenario where the WDM-layer network domain serves as a server network domain providing transport connectivity to the packet-layer network domain (client network domain). Nodes R1, R2, R3, and R4 are IP routers that are connected to an optical WDM transport network. A, B, C, D, E, and F are WDM nodes that constitute the server network domain.

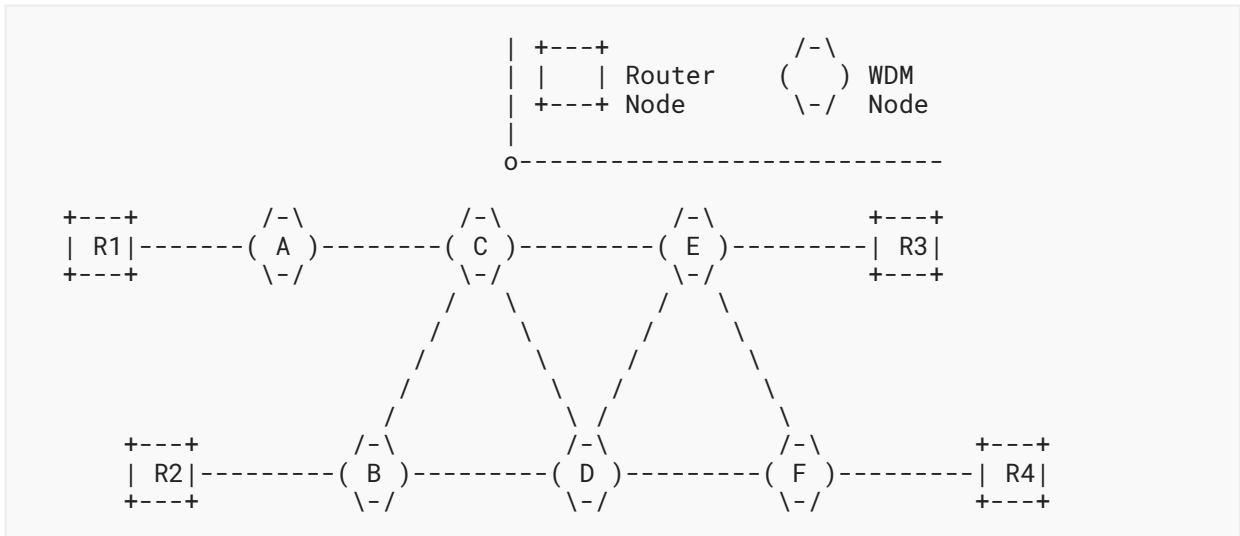


Figure 9: Example Packet Optical Topology

The goal here is to augment the client's TE topology with a Customized TE topology provided by the WDM network. Given the availability of the paths A-E, B-E, and B-E (Figure 10), a Customized TE topology as depicted in Figure 11 is provided to the client. This Customized TE topology is merged with the client's Native TE topology, and the resulting topology is depicted in Figure 12.

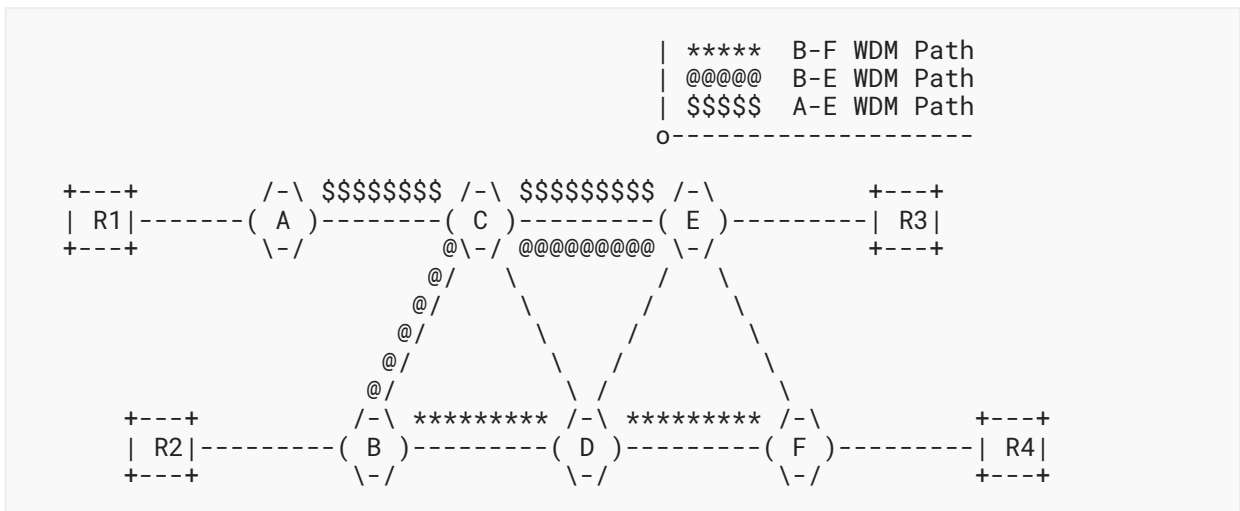


Figure 10: Paths within the Provider Domain

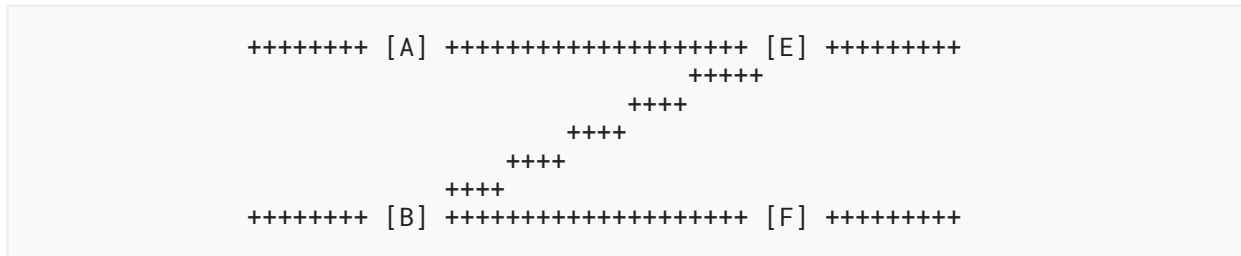


Figure 11: Customized TE Topology Provided to the Client

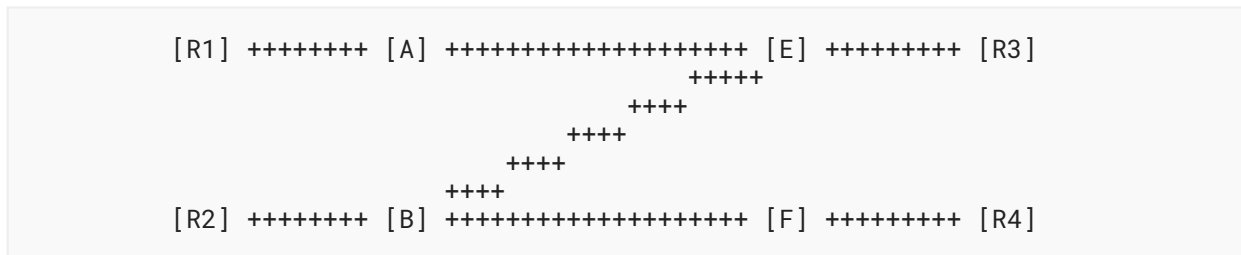


Figure 12: Customized TE Topology Merged with the Client's Native TE Topology

The data model defined in this document can be used to represent, retrieve, and manipulate the Customized TE topology depicted in [Figure 11](#).

A Customized TE topology is not necessarily an abstract TE topology. The provider may produce, for example, an abstract TE topology of a certain type (a single-abstract-node-with-connectivity-matrix topology, a border-nodes-connected-via-mesh-of-abstract-links topology, etc.) and expose it to all or some clients in the expectation that the clients will use it without customization. On the other hand, a client may request a customized version of the provider's Native TE topology (e.g., by requesting the removal of TE links that belong to certain layers, are too slow, are not protected, and/or have a certain affinity). Note that the resulting TE topology will not be abstract (because it will not contain abstract elements) but will be customized (modified upon the client's instructions).

The client ID field in the TE topology identifier ([Section 5.4](#)) indicates which client the TE topology is customized for. Although an authorized client **MAY** receive a TE topology with the client ID field matching some other client, the client can customize only TE topologies with the client ID field either set to 0 or matching the ID of the client in question. If the client starts the reconfiguration of a topology, its client ID will be automatically set in the topology ID field for all future configurations and updates with regard to the topology in question.

The provider, by setting its own ID in the client ID field of the topology ID, **MAY** tell the client that a given TE topology cannot be renegotiated.

Even though this data model allows the access of TE topology information across clients, implementations **MAY** restrict access for particular clients to particular data fields. The Network Configuration Access Control Model (NACM) [[RFC8341](#)] provides such a mechanism.

4.3. Merging TE Topologies Provided by Multiple Providers

A client may receive TE topologies provided by multiple providers, each of which manages a separate domain of a multi-domain network. In order to make use of said topologies, the client is expected to merge the provided TE topologies into one or more of its own Native TE topologies, each of which homogeneously represents the multi-domain network. This makes it possible for the client to select end-to-end TE paths for its services traversing multiple domains.

In particular, the process of merging TE topologies includes:

- Identifying neighboring domains and locking their topologies horizontally by connecting their inter-domain open-ended TE links.
- Renaming TE node IDs, link IDs, and SRLG IDs to IDs allocated from a separate namespace; this is necessary because all TE topologies are considered to be, generally speaking, independent, and clashes among TE node IDs, link IDs, or SRLG IDs are possible.
- Locking, vertically, TE topologies associated with different layer networks, according to provided topology inter-layer locks; this is done to facilitate inter-layer path computations across multiple TE topologies provided by the same topology provider.

[Figure 13](#) illustrates the process whereby the client merges the TE topologies furnished by its providers.

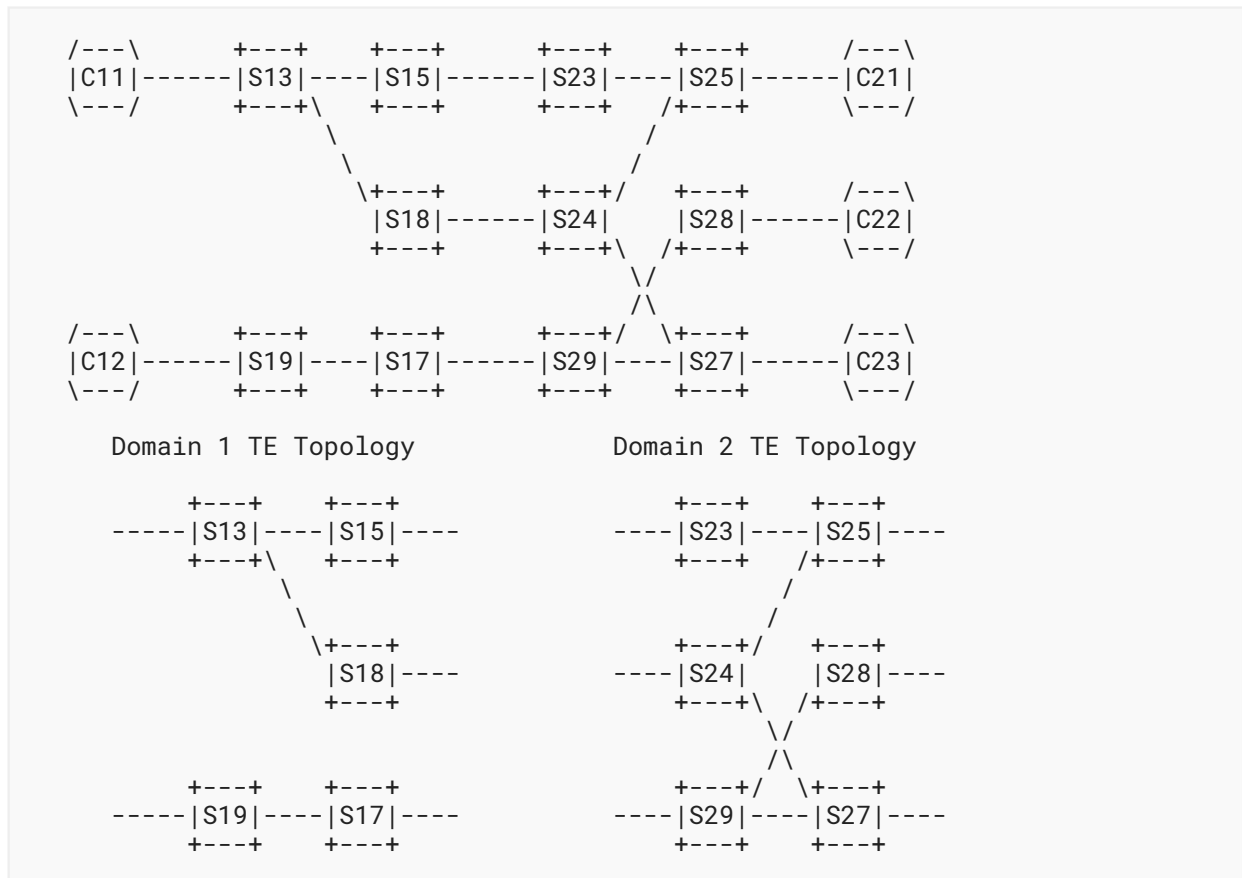


Figure 13: Merging Domain TE Topologies: An Example

In Figure 13, each of the two providers caters to the client (abstract or Native) TE topology, describing the network domain under the respective provider's control. The client, by consulting such attributes of the inter-domain TE links as inter-domain plug IDs or remote TE node IDs / link IDs (as defined by the TE topology model), is able to determine that:

1. the two domains are adjacent and are interconnected via three inter-domain TE links, and
2. each domain is connected to a separate customer site, connecting the domain on the left in the figure to customer devices C11 and C12, and the domain on the right to customer devices C21, C22, and C23.

Therefore, the client interconnects the open-ended TE links, as shown on the upper part of the figure.

As mentioned previously, one way to interconnect the open-ended inter-domain TE links of neighboring domains is to mandate that the providers specify a remote node ID / link ID attribute in the provided inter-domain TE links. However, this may prove not to be flexible. For example, the providers may not know the respective remote node IDs / link IDs. More importantly, this option does not allow the client to mix and match multiple topologies (more than one topology) catered by the same providers (see below). Another option (which is more flexible) for resolving

the open-ended inter-domain TE links is to annotate them with the inter-domain plug ID attribute. The inter-domain plug ID is a network-wide unique number that identifies on the network a connection that supports a given inter-domain TE link. Instead of specifying a remote node ID / link ID, an inter-domain TE link may provide a non-zero inter-domain plug ID. It is expected that two neighboring domain TE topologies (provided by separate providers) will each have at least one open-ended inter-domain TE link with an inter-domain plug ID matching an ID provided by its neighbor. For example, the inter-domain TE link originating from node S15 of the Domain 1 TE topology ([Figure 13](#)) and the inter-domain TE link coming from node S23 of the Domain 2 TE topology may specify a matching inter-domain plug ID (e.g., 175344). This allows the client to identify adjacent nodes in the separate neighboring TE topologies and resolve the inter-domain TE links connecting them, regardless of their respective node IDs / link IDs (which, as mentioned previously, could be allocated from independent namespaces). Inter-domain plug IDs may be assigned and managed by a central network authority. Alternatively, inter-domain plug IDs could be dynamically autodiscovered (e.g., via the Link Management Protocol (LMP)).

Furthermore, the client renames the TE nodes, links, and SRLGs offered in the abstract TE topologies by assigning to them IDs allocated from a separate namespace managed by the client. Such renaming is necessary, because the two abstract TE topologies may have their own namespaces, generally speaking, independent one from another; hence, ID overlaps/clashes are possible. For example, both TE topologies have TE nodes named S7, which, after renaming, appear in the merged TE topology as S17 and S27, respectively.

Once the merging process is complete, the client can use the merged TE topology for path computations across both domains -- for example, to compute a TE path connecting C11 to C23.

4.4. Dealing with Multiple Abstract TE Topologies Provided by the Same Provider

Based on local configuration, templates, and/or policies pushed by the client, a given provider may expose more than one abstract TE topology to the client. For example, one abstract TE topology could be optimized based on a lowest-cost criterion, while another one could be based on best possible delay metrics, while yet another one could be based on maximum bandwidth availability for the client services. Furthermore, the client may request all or some providers to expose additional abstract TE topologies, possibly of a different type and/or optimized differently, as compared to already-provided TE topologies. In any case, the client should be prepared for a provider to offer to the client more than one abstract TE topology.

It should be up to the client (based on the client's local configuration and/or policies conveyed to the client by the client's clients) to decide how to mix and match multiple abstract TE topologies provided by each or some of the providers, as well as how to merge them into the client's Native TE topologies. The client also decides how many such merged TE topologies it needs to produce and maintain. For example, in addition to the merged TE topology depicted in the upper part of [Figure 13](#), the client may merge the abstract TE topologies received from the two providers, as shown in [Figure 14](#), into the client's additional Native TE topologies, as shown in [Figure 15](#).

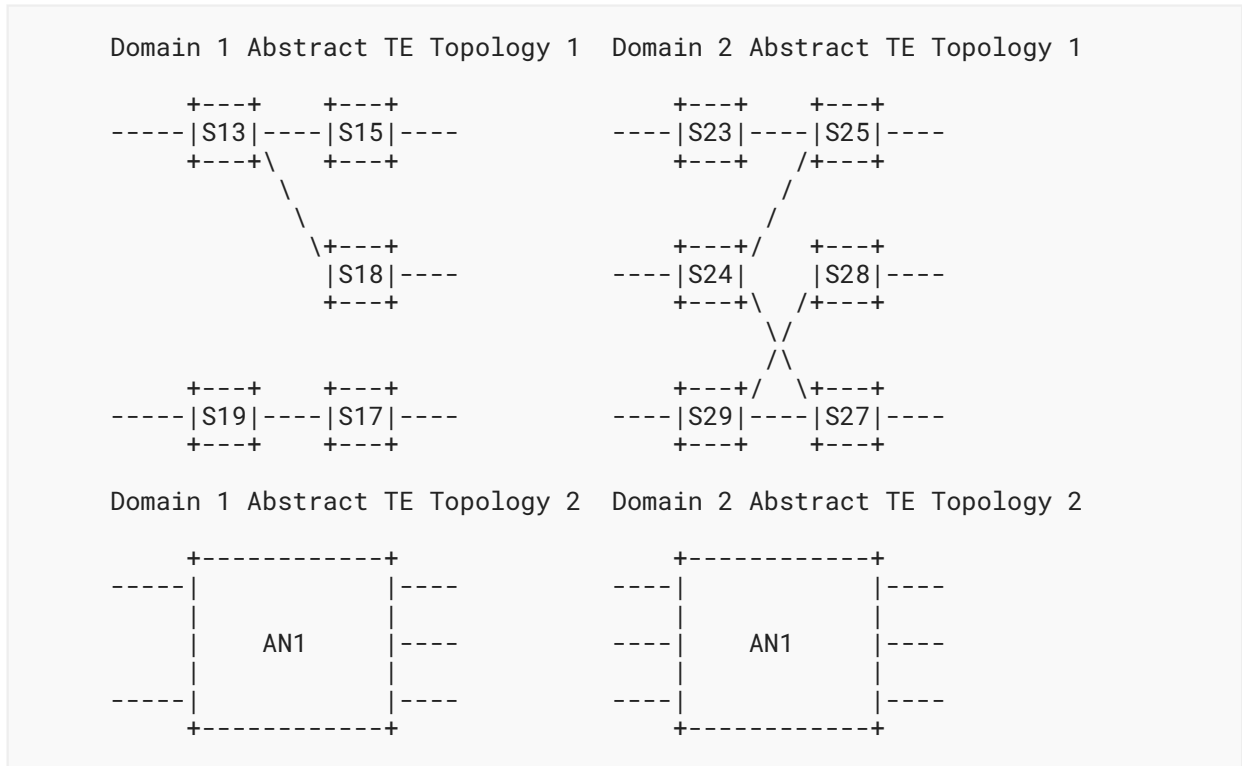


Figure 14: Merging Domain TE Topologies: Another Example

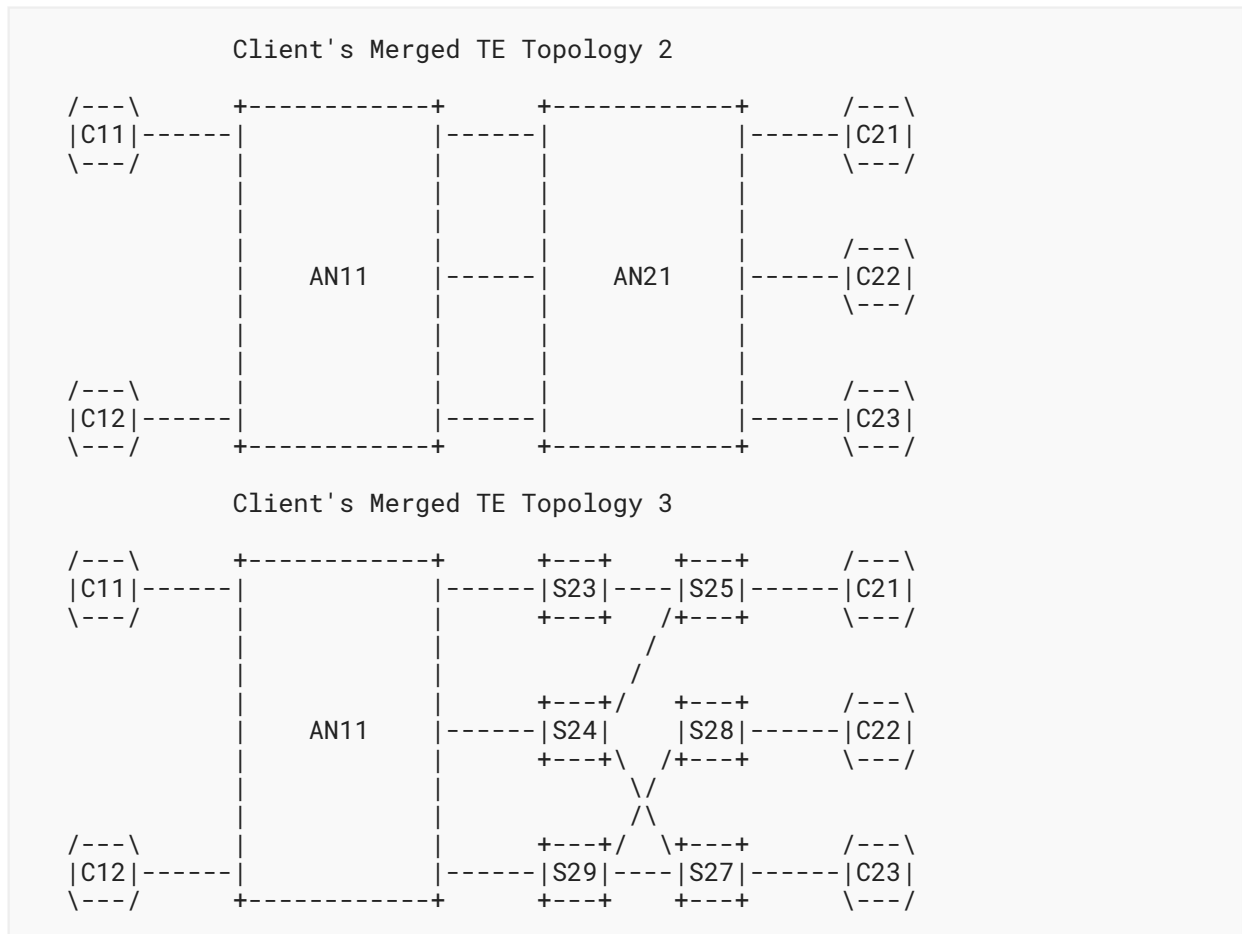


Figure 15: Multiple Native (Merged) Client's TE Topologies

Note that allowing the client to mix and match multiple TE topologies assumes that inter-domain plug IDs (rather than a remote node ID / link ID) are used as the option for identifying neighboring domains and inter-domain TE link resolution.

It is important to note that each of the three Native (merged) TE topologies could be used by the client for computing TE paths for any of the multi-domain services. The choice of which topology to use for a given service depends on the service parameters/requirements, the topology's style and optimization criteria, and the level of detail.

5. Modeling Considerations

5.1. Network Topology Building Blocks

The network topology building blocks are discussed in [RFC8345]. The TE topology model defined in this document augments and uses the "ietf-network-topology" module defined in [RFC8345].

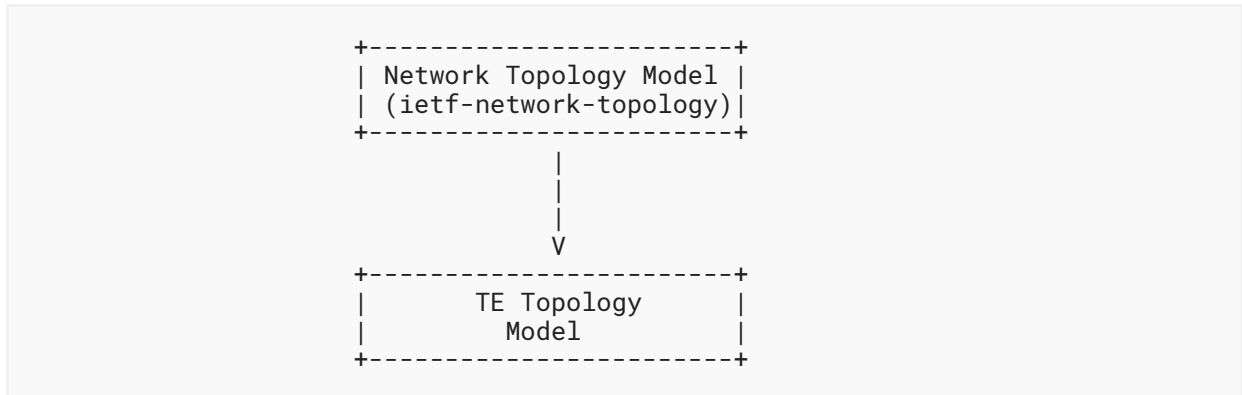


Figure 16: Augmenting the Network Topology Model

5.2. Technology-Agnostic TE Topology Model

The TE topology model defined in this document is meant to be network technology agnostic. Other technology-specific TE topology models can augment and use the building blocks provided by this model, as illustrated in [Figure 17](#).

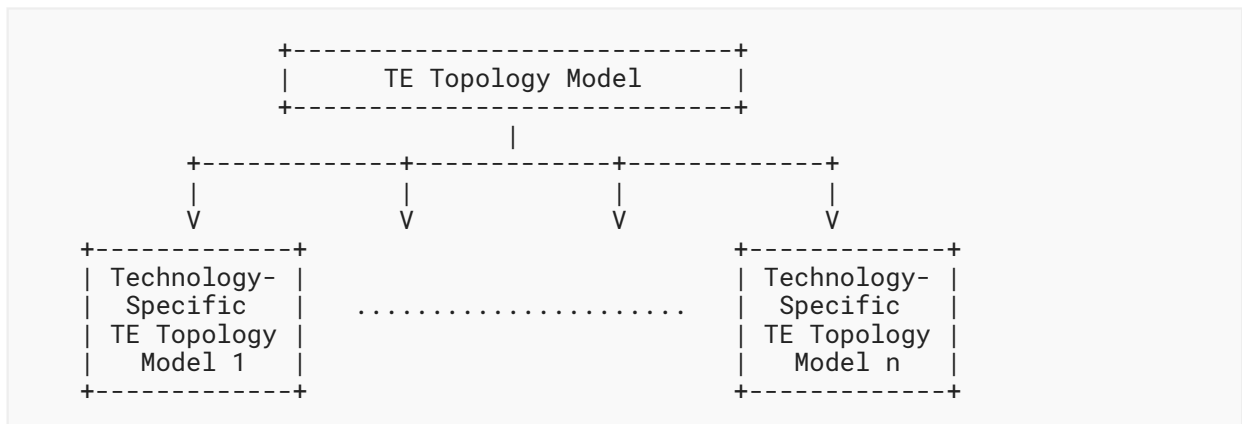


Figure 17: Augmenting the Technology-Agnostic TE Topology Model

5.3. Model Structure

The high-level model structure defined by this document is as shown below:

```

module: ietf-te-topology
  augment /nw:networks/nw:network/nw:network-types:
    +--rw te-topology!

  augment /nw:networks:
    +--rw te!
      +--rw templates
        +--rw node-template* [name] {template}?
          | .....
        +--rw link-template* [name] {template}?
          | .....

  augment /nw:networks/nw:network:
    +--rw te-topology-identifier
    | +--rw provider-id?   te-global-id
    | +--rw client-id?    te-global-id
    | +--rw topology-id? te-topology-id
    +--rw te!
      | .....

  augment /nw:networks/nw:network/nw:node:
    +--rw te-node-id?   te-types:te-node-id
    +--rw te!
      | .....
      +--rw tunnel-termination-point* [tunnel-tp-id]
        +--rw tunnel-tp-id   binary
        | .....
        +--rw supporting-tunnel-termination-point*
          [node-ref tunnel-tp-ref]
          | .....

  augment /nw:networks/nw:network/nt:link:
    +--rw te!
      | .....

  augment /nw:networks/nw:network/nw:node/nt:termination-point:
    +--rw te-tp-id?   te-types:te-tp-id
    +--rw te!
      | .....

```


5.4. Topology Identifiers

The TE topology is uniquely identified by a key that has three constituents -- "topology-id", "provider-id", and "client-id". The combination of "provider-id" and "topology-id" uniquely identifies a Native TE topology on a given provider. "client-id" is used only when Customized TE topologies come into play; a "client-id" value of "0" is used for Native TE topologies.

```
augment /nw:networks/nw:network:
  +--rw te-topology-identifier
  |   +--rw provider-id?    te-global-id
  |   +--rw client-id?     te-global-id
  |   +--rw topology-id?   te-topology-id
  +--rw te!
  |   .....
```

5.5. Generic TE Link Attributes

The model covers the definitions for generic TE link attributes -- bandwidth, administrative groups, SRLGs, switching capabilities, TE metric extensions, etc.

```
+--rw te-link-attributes
  .....
  +--rw admin-status?                te-admin-status
  |   .....
  +--rw link-index?                  uint64
  +--rw administrative-group?        te-types:admin-groups
  +--rw link-protection-type?        enumeration
  +--rw max-link-bandwidth?          te-bandwidth
  +--rw max-resv-link-bandwidth?     te-bandwidth
  +--rw unreserved-bandwidth* [priority]
  |   .....
  +--rw te-default-metric?           uint32
  |   .....
  +--rw te-srlgs
  +--rw te-nsrlgs {nsrlg}?          .....
```

5.6. Generic TE Node Attributes

The model covers the definitions for generic TE node attributes.

The definition of a generic connectivity matrix is shown below:

```
+--rw te-node-attributes
.....
+--rw connectivity-matrices
.....
| +--rw connectivity-matrix* [id]
| | +--rw id          uint32
| | +--rw from
| | | +--rw tp-ref?   leafref
| | | +--rw label-restrictions
| | +--rw to
| | | +--rw tp-ref?   leafref
| | | +--rw label-restrictions
| | +--rw is-allowed? boolean
.....
| | +--rw underlay! {te-topology-hierarchy}?
.....
| | +--rw path-constraints
.....
| | +--rw optimizations
.....
| | +--ro path-properties
.....
```

The definition of a TTP Local Link Connectivity List is shown below:

```

+--rw tunnel-termination-point* [tunnel-tp-id]
  +--rw tunnel-tp-id          binary
  +--rw admin-status?        te-types:te-admin-status
  +--rw name?                string
  +--rw switching-capability? identityref
  +--rw encoding?            identityref
  +--rw inter-layer-lock-id*  uint32
  +--rw protection-type?     identityref
  +--rw client-layer-adaptation
  .....
+--rw local-link-connectivities
  .....
  | +--rw local-link-connectivity* [link-tp-ref]
  |   +--rw link-tp-ref          leafref
  |   +--rw label-restrictions
  |   .....
  |   +--rw is-allowed?          boolean
  |   +--rw underlay {te-topology-hierarchy}?
  |   .....
  |   +--rw path-constraints
  |   .....
  |   +--rw optimizations
  |   .....
  |   +--ro path-properties
  |   .....
+--rw supporting-tunnel-termination-point*
  [node-ref tunnel-tp-ref]
  +--rw node-ref          inet:uri
  +--rw tunnel-tp-ref    binary

```

The attributes directly under container "connectivity-matrices" are the default attributes for all connectivity matrix entries when the per-entry corresponding attribute is not specified. When a per-entry attribute is specified, it overrides the corresponding attribute directly under the container "connectivity-matrices". The same rule applies to the attributes directly under container "local-link-connectivities".

Each TTP **MAY** be supported by one or more supporting TTPs. If the TE node hosting the TTP in question refers to a supporting TE node, then the supporting TTPs are hosted by the supporting TE node. If the TE node refers to an underlay TE topology, the supporting TTPs are hosted by one or more specified TE nodes of the underlay TE topology.

5.7. TED Information Sources

The model allows each TE topological element to have multiple TE information sources (OSPF-TE, ISIS-TE, Border Gateway Protocol - Link State (BGP-LS), user-configured, system-processed, other). Each information source is associated with a credibility preference to indicate

precedence. In scenarios where a Customized TE topology is merged into a client's Native TE topology, the merged topological elements would point to the corresponding Customized TE topology as its information source.

```

augment /nw:networks/nw:network/nw:node:
  +--rw te!
    .....
    +--ro information-source?          te-info-source
    +--ro information-source-instance? string
    +--ro information-source-state
    | +--ro credibility-preference?   uint16
    | +--ro logical-network-element?  string
    | +--ro network-instance?        string
    | +--ro topology
    |   +--ro node-ref?              leafref
    |   +--ro network-ref?          leafref
    +--ro information-source-entry*
    |   [information-source information-source-instance]
    |   +--ro information-source      te-info-source
    |   +--ro information-source-instance string
    .....

augment /nw:networks/nw:network/nt:link:
  +--rw te!
    .....
    +--ro information-source?          te-info-source
    +--ro information-source-instance? string
    +--ro information-source-state
    | +--ro credibility-preference?   uint16
    | +--ro logical-network-element?  string
    | +--ro network-instance?        string
    | +--ro topology
    |   +--ro link-ref?              leafref
    |   +--ro network-ref?          leafref
    +--ro information-source-entry*
    |   [information-source information-source-instance]
    |   +--ro information-source      te-info-source
    |   +--ro information-source-instance string
    .....

```

5.8. Overlay/Underlay Relationship

The model captures the overlay and underlay relationship for TE nodes/links. For example, in networks where multiple TE topologies are built hierarchically, this model allows the user to start from a specific topological element in the topmost topology and traverse all the way down to the supporting topological elements in the bottommost topology.

This relationship is captured via the "underlay-topology" field for the node and via the "underlay" field for the link. The use of these fields is optional, and this functionality is tagged as a "feature" ("te-topology-hierarchy").

```

augment /nw:networks/nw:network/nw:node:
  +--rw te-node-id?   te-types:te-node-id
  +--rw te!
    +--rw te-node-template*      leafref {template}?
    +--rw te-node-attributes
      | +--rw admin-status?      te-types:te-admin-status
      | | .....
      | +--rw underlay-topology {te-topology-hierarchy}?
      |   +--rw network-ref?    leafref

augment /nw:networks/nw:network/nt:link:
  +--rw te!
    +--rw te-link-attributes
      | .....
      | +--rw underlay {te-topology-hierarchy}?
      | | +--rw enabled?        boolean
      | | +--rw primary-path
      | | | +--rw network-ref?  leafref
      | | | .....
      | | +--rw backup-path* [index]
      | | | +--rw index         uint32
      | | | +--rw network-ref?  leafref
      | | | .....
      | | +--rw protection-type? identityref
      | | +--rw tunnel-termination-points
      | | | +--rw source?       binary
      | | | +--rw destination?  binary
      | | +--rw tunnels
      | | .....

```

5.9. Templates

The data model provides users with the ability to define templates and apply them to link and node configurations. The use of the "template" configuration is optional, and this functionality is tagged as a "feature" ("template").

```

augment /nw:networks/nw:network/nw:node:
  +--rw te-node-id?   te-types:te-node-id
  +--rw te!
    +--rw te-node-template*
      |       -> ../../../../te/templates/node-template/name
      |       {template}?

augment /nw:networks/nw:network/nt:link:
  +--rw te!
    +--rw te-link-template*
      |       -> ../../../../te/templates/link-template/name
      |       {template}?

augment /nw:networks:
  +--rw te!
    +--rw templates
      +--rw node-template* [name] {template}?
        | +--rw name
        | |       te-types:te-template-name
        | +--rw priority?          uint16
        | +--rw reference-change-policy?  enumeration
        | +--rw te-node-attributes
        | .....
      +--rw link-template* [name] {template}?
        +--rw name
        |       te-types:te-template-name
        +--rw priority?          uint16
        +--rw reference-change-policy?  enumeration
        +--rw te-link-attributes
        .....

```

Multiple templates can be specified for a configuration element. When two or more templates specify values for the same configuration field, the value from the template with the highest priority is used. The range of the priority is from 0 to 65535, with a lower number indicating a higher priority. The "reference-change-policy" parameter specifies the action that needs to be taken when the template changes on a configuration element that has a reference to this template. The choices of action include taking no action, rejecting the change to the template, and applying the change to the corresponding configuration.

5.10. Scheduling Parameters

The model allows time-scheduling parameters to be specified for each topological element or for the topology as a whole. These parameters allow the provider to present different topological views to the client at different time slots. The use of time-scheduling parameters is optional.

The YANG data model for configuration scheduling is defined in [\[YANG-CFG-SCHED\]](#), which allows specifying configuration schedules without altering this data model.

5.11. Notifications

Notifications are a key component of any topology data model.

[\[RFC8639\]](#) and [\[RFC8641\]](#) define a subscription mechanism and a push mechanism for YANG datastores. These mechanisms currently allow the user to:

- Subscribe to notifications on a per-client basis.
- Specify subtree filters or XML Path Language (XPath) filters so that only contents of interest will be sent.
- Specify either periodic or on-demand notifications.

6. Guidance for Writing Technology-Specific TE Topology Augmentations

The TE topology model defined in this document is technology agnostic, as it defines concepts, abstractions, and attributes that are common across multiple network technologies. It is envisioned that this base model will be widely used when defining technology-specific TE topology models for various layer networks. [\[YANG-WSON\]](#), [\[YANG-OTN\]](#), and [\[YANG-L3\]](#) are some examples of technology-specific TE topology models. Writers of such models are encouraged to augment the basic TE topology model's containers, such as those for TE topologies, TE nodes, TE links, Link Termination Points (LTPs), Tunnel Termination Points (TTPs), bandwidth, and labels, with the layer-specific attributes instead of defining new containers.

Consider the following technology-specific example-topology model:

```
module: example-topology
  augment /nw:networks/nw:network/nw:network-types/tet:te-topology:
    +--rw example-topology!
  augment /nw:networks/nw:network/tet:te:
    +--rw attributes
      +--rw attribute-1? uint8
  augment /nw:networks/nw:network/nw:node/tet:te
    /tet:te-node-attributes:
      +--rw attributes
        +--rw attribute-2? uint8
  augment /nw:networks/nw:network/nw:node/tet:te
    /tet:te-node-attributes/tet:connectivity-matrices:
      +--rw attributes
        +--rw attribute-3? uint8
  augment /nw:networks/nw:network/nw:node/tet:te
    /tet:te-node-attributes/tet:connectivity-matrices
      /tet:connectivity-matrix:
        +--rw attributes
          +--rw attribute-3? uint8
  augment /nw:networks/nw:network/nw:node/tet:te
    /tet:tunnel-termination-point:
      +--rw attributes
        +--rw attribute-4? uint8
  augment /nw:networks/nw:network/nw:node/nt:termination-point
    /tet:te:
      +--rw attributes
        +--rw attribute-5? uint8
  augment /nw:networks/nw:network/nt:link/tet:te
    /tet:te-link-attributes:
      +--rw attributes
        +--rw attribute-6? uint8
```


The technology-specific TE bandwidth for this example topology can be specified using the following augment statements:

```

augment /nw:networks/tet:te/tet:templates/tet:link-template
  /tet:te-link-attributes
  /tet:interface-switching-capability/tet:max-lsp-bandwidth
  /tet:te-bandwidth/tet:technology:
  +--:(example)
    +--rw example
      +--rw bandwidth-1?  uint32
augment /nw:networks/tet:te/tet:templates/tet:link-template
  /tet:te-link-attributes/tet:max-link-bandwidth
  /tet:te-bandwidth/tet:technology:
  +--:(example)
    +--rw example
      +--rw bandwidth-1?  uint32
augment /nw:networks/tet:te/tet:templates/tet:link-template
  /tet:te-link-attributes/tet:max-resv-link-bandwidth
  /tet:te-bandwidth/tet:technology:
  +--:(example)
    +--rw example
      +--rw bandwidth-1?  uint32
augment /nw:networks/tet:te/tet:templates/tet:link-template
  /tet:te-link-attributes/tet:unreserved-bandwidth
  /tet:te-bandwidth/tet:technology:
  +--:(example)
    +--rw example
      +--rw bandwidth-1?  uint32
augment /nw:networks/nw:network/nw:node/tet:te
  /tet:te-node-attributes/tet:connectivity-matrices
  /tet:path-constraints/tet:te-bandwidth/tet:technology:
  +--:(example)
    +--rw example
      +--rw bandwidth-1?  uint32
augment /nw:networks/nw:network/nw:node/tet:te
  /tet:te-node-attributes/tet:connectivity-matrices
  /tet:connectivity-matrix/tet:path-constraints
  /tet:te-bandwidth/tet:technology:
  +--:(example)
    +--rw example
      +--rw bandwidth-1?  uint32
augment /nw:networks/nw:network/nw:node/tet:te
  /tet:information-source-entry/tet:connectivity-matrices
  /tet:path-constraints/tet:te-bandwidth/tet:technology:
  +--:(example)
    +--ro example
      +--ro bandwidth-1?  uint32
augment /nw:networks/nw:network/nw:node/tet:te
  /tet:information-source-entry/tet:connectivity-matrices
  /tet:connectivity-matrix/tet:path-constraints
  /tet:te-bandwidth/tet:technology:
  +--:(example)
    +--ro example
      +--ro bandwidth-1?  uint32
augment /nw:networks/nw:network/nw:node/tet:te
  /tet:tunnel-termination-point/tet:client-layer-adaptation
  /tet:switching-capability/tet:te-bandwidth
  /tet:technology:
  +--:(example)
    +--rw example

```

```

    +--rw bandwidth-1?  uint32
augment /nw:networks/nw:network/nw:node/tet:te
  /tet:tunnel-termination-point
  /tet:local-link-connectivities/tet:path-constraints
  /tet:te-bandwidth/tet:technology:
+--:(example)
  +--rw example
    +--rw bandwidth-1?  uint32
augment /nw:networks/nw:network/nw:node/tet:te
  /tet:tunnel-termination-point
  /tet:local-link-connectivities
  /tet:local-link-connectivity/tet:path-constraints
  /tet:te-bandwidth/tet:technology:
+--:(example)
  +--rw example
    +--rw bandwidth-1?  uint32
augment /nw:networks/nw:network/nt:link/tet:te
  /tet:te-link-attributes
  /tet:interface-switching-capability/tet:max-lsp-bandwidth
  /tet:te-bandwidth/tet:technology:
+--:(example)
  +--rw example
    +--rw bandwidth-1?  uint32
augment /nw:networks/nw:network/nt:link/tet:te
  /tet:te-link-attributes/tet:max-link-bandwidth
  /tet:te-bandwidth/tet:technology:
+--:(example)
  +--rw example
    +--rw bandwidth-1?  uint32
augment /nw:networks/nw:network/nt:link/tet:te
  /tet:te-link-attributes/tet:max-resv-link-bandwidth
  /tet:te-bandwidth/tet:technology:
+--:(example)
  +--rw example
    +--rw bandwidth-1?  uint32
augment /nw:networks/nw:network/nt:link/tet:te
  /tet:information-source-entry
  /tet:interface-switching-capability/tet:max-lsp-bandwidth
  /tet:te-bandwidth/tet:technology:
+--:(example)
  +--ro example
    +--ro bandwidth-1?  uint32
augment /nw:networks/nw:network/nt:link/tet:te
  /tet:information-source-entry/tet:max-link-bandwidth
  /tet:te-bandwidth/tet:technology:
+--:(example)
  +--ro example
    +--ro bandwidth-1?  uint32
augment /nw:networks/nw:network/nt:link/tet:te
  /tet:information-source-entry/tet:max-resv-link-bandwidth
  /tet:te-bandwidth/tet:technology:
+--:(example)
  +--ro example
    +--ro bandwidth-1?  uint32
augment /nw:networks/nw:network/nt:link/tet:te
  /tet:information-source-entry/tet:unreserved-bandwidth
  /tet:te-bandwidth/tet:technology:
+--:(example)

```

```
    +--ro example
      +--ro bandwidth-1?  uint32
augment /nw:networks/nw:network/nw:node/nt:termination-point/tet:te
      /tet:interface-switching-capability/tet:max-lsp-bandwidth
      /tet:te-bandwidth/tet:technology:
+--:(example)
  +--rw example
    +--rw bandwidth-1?  uint32
```

The technology-specific TE label for this example topology can be specified using the following augment statements:

```

augment /nw:networks/tet:te/tet:templates/tet:link-template
  /tet:te-link-attributes/tet:underlay/tet:primary-path
  /tet:path-element/tet:type/tet:label/tet:label-hop
  /tet:te-label/tet:technology:
  +--:(example)
    +--rw example
      +--rw label-1? uint32
augment /nw:networks/tet:te/tet:templates/tet:link-template
  /tet:te-link-attributes/tet:underlay/tet:backup-path
  /tet:path-element/tet:type/tet:label/tet:label-hop
  /tet:te-label/tet:technology:
  +--:(example)
    +--rw example
      +--rw label-1? uint32
augment /nw:networks/tet:te/tet:templates/tet:link-template
  /tet:te-link-attributes/tet:label-restrictions
  /tet:label-restriction/tet:label-start/tet:te-label
  /tet:technology:
  +--:(example)
    +--rw example
      +--rw label-1? uint32
augment /nw:networks/tet:te/tet:templates/tet:link-template
  /tet:te-link-attributes/tet:label-restrictions
  /tet:label-restriction/tet:label-end/tet:te-label
  /tet:technology:
  +--:(example)
    +--rw example
      +--rw label-1? uint32
augment /nw:networks/nw:network/nw:node/tet:te
  /tet:te-node-attributes/tet:connectivity-matrices
  /tet:label-restrictions/tet:label-restriction
  /tet:label-start/tet:te-label/tet:technology:
  +--:(example)
    +--rw example
      +--rw label-1? uint32
augment /nw:networks/nw:network/nw:node/tet:te
  /tet:te-node-attributes/tet:connectivity-matrices
  /tet:label-restrictions/tet:label-restriction
  /tet:label-end/tet:te-label/tet:technology:
  +--:(example)
    +--rw example
      +--rw label-1? uint32
augment /nw:networks/nw:network/nw:node/tet:te
  /tet:te-node-attributes/tet:connectivity-matrices
  /tet:underlay/tet:primary-path/tet:path-element/tet:type
  /tet:label/tet:label-hop/tet:te-label/tet:technology:
  +--:(example)
    +--rw example
      +--rw label-1? uint32
augment /nw:networks/nw:network/nw:node/tet:te
  /tet:te-node-attributes/tet:connectivity-matrices
  /tet:underlay/tet:backup-path/tet:path-element/tet:type
  /tet:label/tet:label-hop/tet:te-label/tet:technology:
  +--:(example)
    +--rw example
      +--rw label-1? uint32
augment /nw:networks/nw:network/nw:node/tet:te

```

```

        /tet:te-node-attributes/tet:connectivity-matrices
        /tet:path-properties/tet:path-route-objects
        /tet:path-route-object/tet:type/tet:label/tet:label-hop
        /tet:te-label/tet:technology:
+--:(example)
  +--ro example
    +--ro label-1?  uint32
augment /nw:networks/nw:network/nw:node/tet:te
  /tet:te-node-attributes/tet:connectivity-matrices
  /tet:connectivity-matrix/tet:from/tet:label-restrictions
  /tet:label-restriction/tet:label-start/tet:te-label
  /tet:technology:
+--:(example)
  +--rw example
    +--rw label-1?  uint32
augment /nw:networks/nw:network/nw:node/tet:te
  /tet:te-node-attributes/tet:connectivity-matrices
  /tet:connectivity-matrix/tet:from/tet:label-restrictions
  /tet:label-restriction/tet:label-end/tet:te-label
  /tet:technology:
+--:(example)
  +--rw example
    +--rw label-1?  uint32
augment /nw:networks/nw:network/nw:node/tet:te
  /tet:te-node-attributes/tet:connectivity-matrices
  /tet:connectivity-matrix/tet:to/tet:label-restrictions
  /tet:label-restriction/tet:label-start/tet:te-label
  /tet:technology:
+--:(example)
  +--rw example
    +--rw label-1?  uint32
augment /nw:networks/nw:network/nw:node/tet:te
  /tet:te-node-attributes/tet:connectivity-matrices
  /tet:connectivity-matrix/tet:to/tet:label-restrictions
  /tet:label-restriction/tet:label-end/tet:te-label
  /tet:technology:
+--:(example)
  +--rw example
    +--rw label-1?  uint32
augment /nw:networks/nw:network/nw:node/tet:te
  /tet:te-node-attributes/tet:connectivity-matrices
  /tet:connectivity-matrix/tet:underlay/tet:primary-path
  /tet:path-element/tet:type/tet:label/tet:label-hop
  /tet:te-label/tet:technology:
+--:(example)
  +--rw example
    +--rw label-1?  uint32
augment /nw:networks/nw:network/nw:node/tet:te
  /tet:te-node-attributes/tet:connectivity-matrices
  /tet:connectivity-matrix/tet:underlay/tet:backup-path
  /tet:path-element/tet:type/tet:label/tet:label-hop
  /tet:te-label/tet:technology:
+--:(example)
  +--rw example
    +--rw label-1?  uint32
augment /nw:networks/nw:network/nw:node/tet:te
  /tet:te-node-attributes/tet:connectivity-matrices
  /tet:connectivity-matrix/tet:path-properties

```

```

        /tet:path-route-objects/tet:path-route-object/tet:type
        /tet:label/tet:label-hop/tet:te-label/tet:technology:
+--:(example)
  +--ro example
    +--ro label-1?  uint32
augment /nw:networks/nw:network/nw:node/tet:te
  /tet:information-source-entry/tet:connectivity-matrices
  /tet:label-restrictions/tet:label-restriction
  /tet:label-start/tet:te-label/tet:technology:
+--:(example)
  +--ro example
    +--ro label-1?  uint32
augment /nw:networks/nw:network/nw:node/tet:te
  /tet:information-source-entry/tet:connectivity-matrices
  /tet:label-restrictions/tet:label-restriction
  /tet:label-end/tet:te-label/tet:technology:
+--:(example)
  +--ro example
    +--ro label-1?  uint32
augment /nw:networks/nw:network/nw:node/tet:te
  /tet:information-source-entry/tet:connectivity-matrices
  /tet:underlay/tet:primary-path/tet:path-element/tet:type
  /tet:label/tet:label-hop/tet:te-label/tet:technology:
+--:(example)
  +--ro example
    +--ro label-1?  uint32
augment /nw:networks/nw:network/nw:node/tet:te
  /tet:information-source-entry/tet:connectivity-matrices
  /tet:underlay/tet:backup-path/tet:path-element/tet:type
  /tet:label/tet:label-hop/tet:te-label/tet:technology:
+--:(example)
  +--ro example
    +--ro label-1?  uint32
augment /nw:networks/nw:network/nw:node/tet:te
  /tet:information-source-entry/tet:connectivity-matrices
  /tet:path-properties/tet:path-route-objects
  /tet:path-route-object/tet:type/tet:label/tet:label-hop
  /tet:te-label/tet:technology:
+--:(example)
  +--ro example
    +--ro label-1?  uint32
augment /nw:networks/nw:network/nw:node/tet:te
  /tet:information-source-entry/tet:connectivity-matrices
  /tet:connectivity-matrix/tet:from/tet:label-restrictions
  /tet:label-restriction/tet:label-start/tet:te-label
  /tet:technology:
+--:(example)
  +--ro example
    +--ro label-1?  uint32
augment /nw:networks/nw:network/nw:node/tet:te
  /tet:information-source-entry/tet:connectivity-matrices
  /tet:connectivity-matrix/tet:from/tet:label-restrictions
  /tet:label-restriction/tet:label-end/tet:te-label
  /tet:technology:
+--:(example)
  +--ro example
    +--ro label-1?  uint32
augment /nw:networks/nw:network/nw:node/tet:te

```



```

        /tet:information-source-entry/tet:connectivity-matrices
        /tet:connectivity-matrix/tet:to/tet:label-restrictions
        /tet:label-restriction/tet:label-start/tet:te-label
        /tet:technology:
+--:(example)
  +--ro example
    +--ro label-1?  uint32
augment /nw:networks/nw:network/nw:node/tet:te
  /tet:information-source-entry/tet:connectivity-matrices
  /tet:connectivity-matrix/tet:to/tet:label-restrictions
  /tet:label-restriction/tet:label-end/tet:te-label
  /tet:technology:
+--:(example)
  +--ro example
    +--ro label-1?  uint32
augment /nw:networks/nw:network/nw:node/tet:te
  /tet:information-source-entry/tet:connectivity-matrices
  /tet:connectivity-matrix/tet:underlay/tet:primary-path
  /tet:path-element/tet:type/tet:label/tet:label-hop
  /tet:te-label/tet:technology:
+--:(example)
  +--ro example
    +--ro label-1?  uint32
augment /nw:networks/nw:network/nw:node/tet:te
  /tet:information-source-entry/tet:connectivity-matrices
  /tet:connectivity-matrix/tet:underlay/tet:backup-path
  /tet:path-element/tet:type/tet:label/tet:label-hop
  /tet:te-label/tet:technology:
+--:(example)
  +--ro example
    +--ro label-1?  uint32
augment /nw:networks/nw:network/nw:node/tet:te
  /tet:information-source-entry/tet:connectivity-matrices
  /tet:connectivity-matrix/tet:path-properties
  /tet:path-route-objects/tet:path-route-object/tet:type
  /tet:label/tet:label-hop/tet:te-label/tet:technology:
+--:(example)
  +--ro example
    +--ro label-1?  uint32
augment /nw:networks/nw:network/nw:node/tet:te
  /tet:tunnel-termination-point
  /tet:local-link-connectivities/tet:label-restrictions
  /tet:label-restriction/tet:label-start/tet:te-label
  /tet:technology:
+--:(example)
  +--rw example
    +--rw label-1?  uint32
augment /nw:networks/nw:network/nw:node/tet:te
  /tet:tunnel-termination-point
  /tet:local-link-connectivities/tet:label-restrictions
  /tet:label-restriction/tet:label-end/tet:te-label
  /tet:technology:
+--:(example)
  +--rw example
    +--rw label-1?  uint32
augment /nw:networks/nw:network/nw:node/tet:te
  /tet:tunnel-termination-point
  /tet:local-link-connectivities/tet:underlay

```

```

        /tet:primary-path/tet:path-element/tet:type/tet:label
        /tet:label-hop/tet:te-label/tet:technology:
+--:(example)
  +--rw example
    +--rw label-1? uint32
augment /nw:networks/nw:network/nw:node/tet:te
  /tet:tunnel-termination-point
  /tet:local-link-connectivities/tet:underlay
  /tet:backup-path/tet:path-element/tet:type/tet:label
  /tet:label-hop/tet:te-label/tet:technology:
+--:(example)
  +--rw example
    +--rw label-1? uint32
augment /nw:networks/nw:network/nw:node/tet:te
  /tet:tunnel-termination-point
  /tet:local-link-connectivities/tet:path-properties
  /tet:path-route-objects/tet:path-route-object/tet:type
  /tet:label/tet:label-hop/tet:te-label/tet:technology:
+--:(example)
  +--ro example
    +--ro label-1? uint32
augment /nw:networks/nw:network/nw:node/tet:te
  /tet:tunnel-termination-point
  /tet:local-link-connectivities
  /tet:local-link-connectivity/tet:label-restrictions
  /tet:label-restriction/tet:label-start/tet:te-label
  /tet:technology:
+--:(example)
  +--rw example
    +--rw label-1? uint32
augment /nw:networks/nw:network/nw:node/tet:te
  /tet:tunnel-termination-point
  /tet:local-link-connectivities
  /tet:local-link-connectivity/tet:label-restrictions
  /tet:label-restriction/tet:label-end/tet:te-label
  /tet:technology:
+--:(example)
  +--rw example
    +--rw label-1? uint32
augment /nw:networks/nw:network/nw:node/tet:te
  /tet:tunnel-termination-point
  /tet:local-link-connectivities
  /tet:local-link-connectivity/tet:underlay
  /tet:primary-path/tet:path-element/tet:type/tet:label
  /tet:label-hop/tet:te-label/tet:technology:
+--:(example)
  +--rw example
    +--rw label-1? uint32
augment /nw:networks/nw:network/nw:node/tet:te
  /tet:tunnel-termination-point
  /tet:local-link-connectivities
  /tet:local-link-connectivity/tet:underlay/tet:backup-path
  /tet:path-element/tet:type/tet:label/tet:label-hop
  /tet:te-label/tet:technology:
+--:(example)
  +--rw example
    +--rw label-1? uint32
augment /nw:networks/nw:network/nw:node/tet:te

```

```

        /tet:tunnel-termination-point
        /tet:local-link-connectivities
        /tet:local-link-connectivity/tet:path-properties
        /tet:path-route-objects/tet:path-route-object/tet:type
        /tet:label/tet:label-hop/tet:te-label/tet:technology:
+--:(example)
  +--ro example
    +--ro label-1?  uint32
augment /nw:networks/nw:network/nt:link/tet:te
  /tet:te-link-attributes/tet:label-restrictions
  /tet:label-restriction/tet:label-start/tet:te-label
  /tet:technology:
+--:(example)
  +--rw example
    +--rw label-1?  uint32
augment /nw:networks/nw:network/nt:link/tet:te
  /tet:te-link-attributes/tet:label-restrictions
  /tet:label-restriction/tet:label-end/tet:te-label
  /tet:technology:
+--:(example)
  +--rw example
    +--rw label-1?  uint32
augment /nw:networks/nw:network/nt:link/tet:te
  /tet:te-link-attributes/tet:underlay/tet:primary-path
  /tet:path-element/tet:type/tet:label/tet:label-hop
  /tet:te-label/tet:technology:
+--:(example)
  +--rw example
    +--rw label-1?  uint32
augment /nw:networks/nw:network/nt:link/tet:te
  /tet:te-link-attributes/tet:underlay/tet:backup-path
  /tet:path-element/tet:type/tet:label/tet:label-hop
  /tet:te-label/tet:technology:
+--:(example)
  +--rw example
    +--rw label-1?  uint32
augment /nw:networks/nw:network/nt:link/tet:te
  /tet:information-source-entry/tet:label-restrictions
  /tet:label-restriction/tet:label-start/tet:te-label
  /tet:technology:
+--:(example)
  +--ro example
    +--ro label-1?  uint32
augment /nw:networks/nw:network/nt:link/tet:te
  /tet:information-source-entry/tet:label-restrictions
  /tet:label-restriction/tet:label-end/tet:te-label
  /tet:technology:
+--:(example)
  +--ro example
    +--ro label-1?  uint32

```

The example YANG module that implements the above example topology is provided in [Appendix C](#).

7. TE Topology YANG Module

This module references [\[RFC1195\]](#), [\[RFC3209\]](#), [\[RFC3272\]](#), [\[RFC3471\]](#), [\[RFC3630\]](#), [\[RFC3785\]](#), [\[RFC4201\]](#), [\[RFC4202\]](#), [\[RFC4203\]](#), [\[RFC4206\]](#), [\[RFC4872\]](#), [\[RFC5152\]](#), [\[RFC5212\]](#), [\[RFC5305\]](#), [\[RFC5316\]](#), [\[RFC5392\]](#), [\[RFC6001\]](#), [\[RFC6241\]](#), [\[RFC6991\]](#), [\[RFC7308\]](#), [\[RFC7471\]](#), [\[RFC7579\]](#), [\[RFC7752\]](#), [\[RFC8345\]](#), and [\[RFC8776\]](#).

```
<CODE BEGINS> file "ietf-te-topology@2020-08-06.yang"

module ietf-te-topology {
  yang-version 1.1;
  namespace "urn:ietf:params:xml:ns:yang:ietf-te-topology";
  prefix tet;

  import ietf-yang-types {
    prefix yang;
    reference
      "RFC 6991: Common YANG Data Types";
  }
  import ietf-inet-types {
    prefix inet;
    reference
      "RFC 6991: Common YANG Data Types";
  }
  import ietf-te-types {
    prefix te-types;
    reference
      "RFC 8776: Common YANG Data Types for Traffic Engineering";
  }
  import ietf-network {
    prefix nw;
    reference
      "RFC 8345: A YANG Data Model for Network Topologies";
  }
  import ietf-network-topology {
    prefix nt;
    reference
      "RFC 8345: A YANG Data Model for Network Topologies";
  }

  organization
    "IETF Traffic Engineering Architecture and Signaling (TEAS)
    Working Group";
  contact
    "WG Web: <https://datatracker.ietf.org/wg/teas/>
    WG List: <mailto:teas@ietf.org>

    Editor: Xufeng Liu
           <mailto:xufeng.liu.ietf@gmail.com>

    Editor: Igor Bryskin
           <mailto:i_bryskin@yahoo.com>

    Editor: Vishnu Pavan Beeram
           <mailto:vbeeram@juniper.net>

    Editor: Tarek Saad
           <mailto:tsaad@juniper.net>

    Editor: Himanshu Shah
           <mailto:hshah@ciena.com>

    Editor: Oscar Gonzalez de Dios
           <mailto:oscar.gonzalezdedios@telefonica.com>";
```

```
description
  "This YANG module defines a TE topology model for representing,
  retrieving, and manipulating technology-agnostic TE topologies.

  Copyright (c) 2020 IETF Trust and the persons identified as
  authors of the code. All rights reserved.

  Redistribution and use in source and binary forms, with or
  without modification, is permitted pursuant to, and subject to
  the license terms contained in, the Simplified BSD License set
  forth in Section 4.c of the IETF Trust's Legal Provisions
  Relating to IETF Documents
  (https://trustee.ietf.org/license-info).

  This version of this YANG module is part of RFC 8795; see the
  RFC itself for full legal notices."

revision 2020-08-06 {
  description
    "Initial revision.";
  reference
    "RFC 8795: YANG Data Model for Traffic Engineering (TE)
    Topologies";
}

/*
 * Features
 */

feature nsrlg {
  description
    "This feature indicates that the system supports NSRLGs
    (Non-Shared Risk Link Groups).";
}

feature te-topology-hierarchy {
  description
    "This feature indicates that the system allows an underlay
    and/or overlay TE topology hierarchy.";
}

feature template {
  description
    "This feature indicates that the system supports
    template configuration.";
}

/*
 * Typedefs
 */

typedef geographic-coordinate-degree {
  type decimal64 {
    fraction-digits 8;
  }
  description
    "Decimal degree (DD) used to express latitude and longitude
    geographic coordinates.";
```

```
}
// geographic-coordinate-degree

typedef te-info-source {
  type enumeration {
    enum unknown {
      description
        "The source is unknown.";
    }
    enum locally-configured {
      description
        "Configured entity.";
    }
    enum ospfv2 {
      description
        "OSPFv2.";
    }
    enum ospfv3 {
      description
        "OSPFv3.";
    }
    enum isis {
      description
        "IS-IS.";
    }
    enum bgp-ls {
      description
        "BGP-LS.";
      reference
        "RFC 7752: North-Bound Distribution of Link-State and
        Traffic Engineering (TE) Information Using BGP";
    }
    enum system-processed {
      description
        "System-processed entity.";
    }
    enum other {
      description
        "Other source.";
    }
  }
  description
    "Describes the type of source that has provided the
    related information, and the source's credibility.";
}
// te-info-source

/*
 * Groupings
 */

grouping connectivity-matrix-entry-path-attributes {
  description
    "Attributes of a connectivity matrix entry.";
  leaf is-allowed {
    type boolean;
    description
      "'true' - switching is allowed;";
  }
}
```

```
        'false' - switching is disallowed.";
    }
    container underlay {
        if-feature "te-topology-hierarchy";
        description
            "Attributes of the TE link underlay.";
        reference
            "RFC 4206: Label Switched Paths (LSP) Hierarchy with
            Generalized Multi-Protocol Label Switching (GMPLS)
            Traffic Engineering (TE)";
        uses te-link-underlay-attributes;
    }
    uses te-types:generic-path-constraints;
    uses te-types:generic-path-optimization;
    uses te-types:generic-path-properties;
}
// connectivity-matrix-entry-path-attributes

grouping geolocation-container {
    description
        "Contains a GPS location.";
    container geolocation {
        config false;
        description
            "Contains a GPS location.";
        leaf altitude {
            type int64;
            units "millimeters";
            description
                "Distance above sea level.";
        }
        leaf latitude {
            type geographic-coordinate-degree {
                range "-90..90";
            }
            description
                "Relative position north or south on the Earth's surface.";
        }
        leaf longitude {
            type geographic-coordinate-degree {
                range "-180..180";
            }
            description
                "Angular distance east or west on the Earth's surface.";
        }
    }
}
// geolocation
}
// geolocation-container

grouping information-source-state-attributes {
    description
        "The attributes identifying the source that has provided the
        related information, and the source's credibility.";
    leaf credibility-preference {
        type uint16;
        description
            "The preference value for calculating the Traffic
```



```
        Engineering database credibility value used for
        tie-break selection between different information-source
        values.  A higher value is preferable.";
    }
    leaf logical-network-element {
        type string;
        description
            "When applicable, this is the name of a logical network
            element from which the information is learned.";
    }
    leaf network-instance {
        type string;
        description
            "When applicable, this is the name of a network instance
            from which the information is learned.";
    }
}
// information-source-state-attributes

grouping information-source-per-link-attributes {
    description
        "Per-node container of the attributes identifying the source
        that has provided the related information, and the source's
        credibility.";
    leaf information-source {
        type te-info-source;
        config false;
        description
            "Indicates the type of information source.";
    }
    leaf information-source-instance {
        type string;
        config false;
        description
            "The name indicating the instance of the information
            source.";
    }
    container information-source-state {
        config false;
        description
            "Contains state attributes related to the information
            source.";
        uses information-source-state-attributes;
        container topology {
            description
                "When the information is processed by the system,
                the attributes in this container indicate which topology
                is used to generate the result information.";
            uses nt:link-ref;
        }
    }
}
// information-source-per-link-attributes

grouping information-source-per-node-attributes {
    description
        "Per-node container of the attributes identifying the source
        that has provided the related information, and the source's
```

```
    credibility.";
  leaf information-source {
    type te-info-source;
    config false;
    description
      "Indicates the type of information source.";
  }
  leaf information-source-instance {
    type string;
    config false;
    description
      "The name indicating the instance of the information
      source.";
  }
  container information-source-state {
    config false;
    description
      "Contains state attributes related to the information
      source.";
    uses information-source-state-attributes;
    container topology {
      description
        "When the information is processed by the system,
        the attributes in this container indicate which topology
        is used to generate the result information.";
      uses nw:node-ref;
    }
  }
}
// information-source-per-node-attributes

grouping interface-switching-capability-list {
  description
    "List of Interface Switching Capability Descriptors (ISCDs).";
  list interface-switching-capability {
    key "switching-capability encoding";
    description
      "List of ISCDs for this link.";
    reference
      "RFC 3471: Generalized Multi-Protocol Label Switching (GMPLS)
      Signaling Functional Description
      RFC 4203: OSPF Extensions in Support of Generalized
      Multi-Protocol Label Switching (GMPLS)";
    leaf switching-capability {
      type identityref {
        base te-types:switching-capabilities;
      }
      description
        "Switching capability for this interface.";
    }
    leaf encoding {
      type identityref {
        base te-types:lsp-encoding-types;
      }
      description
        "Encoding supported by this interface.";
    }
  }
  uses te-link-iscd-attributes;
}
```

```
    }
    // interface-switching-capability
  }
  // interface-switching-capability-list

grouping statistics-per-link {
  description
    "Statistics attributes per TE link.";
  leaf discontinuity-time {
    type yang:date-and-time;
    description
      "The time of the most recent occasion at which any one or
      more of this interface's counters suffered a
      discontinuity. If no such discontinuities have occurred
      since the last re-initialization of the local management
      subsystem, then this node contains the time the local
      management subsystem re-initialized itself.";
  }
  /* Administrative attributes */
  leaf disables {
    type yang:counter32;
    description
      "Number of times that a link was disabled.";
  }
  leaf enables {
    type yang:counter32;
    description
      "Number of times that a link was enabled.";
  }
  leaf maintenance-clears {
    type yang:counter32;
    description
      "Number of times that a link was taken out of maintenance.";
  }
  leaf maintenance-sets {
    type yang:counter32;
    description
      "Number of times that a link was put in maintenance.";
  }
  leaf modifies {
    type yang:counter32;
    description
      "Number of times that a link was modified.";
  }
  /* Operational attributes */
  leaf downs {
    type yang:counter32;
    description
      "Number of times that a link was set to an operational state
      of 'down'.";
  }
  leaf ups {
    type yang:counter32;
    description
      "Number of times that a link was set to an operational state
      of 'up'.";
  }
  /* Recovery attributes */
}
```

```
leaf fault-clears {
  type yang:counter32;
  description
    "Number of times that a link experienced a fault-clear
    event.";
}
leaf fault-detects {
  type yang:counter32;
  description
    "Number of times that a link experienced fault detection.";
}
leaf protection-switches {
  type yang:counter32;
  description
    "Number of times that a link experienced protection
    switchover.";
}
leaf protection-reverts {
  type yang:counter32;
  description
    "Number of times that a link experienced protection
    reversion.";
}
leaf restoration-failures {
  type yang:counter32;
  description
    "Number of times that a link experienced restoration
    failure.";
}
leaf restoration-starts {
  type yang:counter32;
  description
    "Number of times that a link experienced restoration
    start.";
}
leaf restoration-successes {
  type yang:counter32;
  description
    "Number of times that a link experienced restoration
    success.";
}
leaf restoration-reversion-failures {
  type yang:counter32;
  description
    "Number of times that a link experienced restoration
    reversion failure.";
}
leaf restoration-reversion-starts {
  type yang:counter32;
  description
    "Number of times that a link experienced restoration
    reversion start.";
}
leaf restoration-reversion-successes {
  type yang:counter32;
  description
    "Number of times that a link experienced restoration
    reversion success.";
```

```
    }
  }
  // statistics-per-link

  grouping statistics-per-node {
    description
      "Statistics attributes per TE node.";
    leaf discontinuity-time {
      type yang:date-and-time;
      description
        "The time of the most recent occasion at which any one or
        more of this interface's counters suffered a
        discontinuity. If no such discontinuities have occurred
        since the last re-initialization of the local management
        subsystem, then this node contains the time the local
        management subsystem re-initialized itself.";
    }
    container node {
      description
        "Contains statistics attributes at the TE node level.";
      leaf disables {
        type yang:counter32;
        description
          "Number of times that a node was disabled.";
      }
      leaf enables {
        type yang:counter32;
        description
          "Number of times that a node was enabled.";
      }
      leaf maintenance-sets {
        type yang:counter32;
        description
          "Number of times that a node was put in maintenance.";
      }
      leaf maintenance-clears {
        type yang:counter32;
        description
          "Number of times that a node was taken out of
          maintenance.";
      }
      leaf modifies {
        type yang:counter32;
        description
          "Number of times that a node was modified.";
      }
    }
  }
  // node
  container connectivity-matrix-entry {
    description
      "Contains statistics attributes at the level of a
      connectivity matrix entry.";
    leaf creates {
      type yang:counter32;
      description
        "Number of times that a connectivity matrix entry was
        created.";
      reference
    }
  }
}
```

```
        "RFC 6241: Network Configuration Protocol (NETCONF),
          Section 7.2, 'create' operation";
    }
    leaf deletes {
        type yang:counter32;
        description
            "Number of times that a connectivity matrix entry was
             deleted.";
        reference
            "RFC 6241: Network Configuration Protocol (NETCONF),
             Section 7.2, 'delete' operation";
    }
    leaf disables {
        type yang:counter32;
        description
            "Number of times that a connectivity matrix entry was
             disabled.";
    }
    leaf enables {
        type yang:counter32;
        description
            "Number of times that a connectivity matrix entry was
             enabled.";
    }
    leaf modifies {
        type yang:counter32;
        description
            "Number of times that a connectivity matrix entry was
             modified.";
    }
}
// connectivity-matrix-entry
}
// statistics-per-node

grouping statistics-per-ttp {
    description
        "Statistics attributes per TE TTP (Tunnel Termination Point).";
    leaf discontinuity-time {
        type yang:date-and-time;
        description
            "The time of the most recent occasion at which any one or
             more of this interface's counters suffered a
             discontinuity. If no such discontinuities have occurred
             since the last re-initialization of the local management
             subsystem, then this node contains the time the local
             management subsystem re-initialized itself.";
    }
    container tunnel-termination-point {
        description
            "Contains statistics attributes at the TE TTP level.";
        /* Administrative attributes */
        leaf disables {
            type yang:counter32;
            description
                "Number of times that a TTP was disabled.";
        }
        leaf enables {
```

```
    type yang:counter32;
    description
      "Number of times that a TTP was enabled.";
  }
  leaf maintenance-clears {
    type yang:counter32;
    description
      "Number of times that a TTP was taken out of maintenance.";
  }
  leaf maintenance-sets {
    type yang:counter32;
    description
      "Number of times that a TTP was put in maintenance.";
  }
  leaf modifies {
    type yang:counter32;
    description
      "Number of times that a TTP was modified.";
  }
  /* Operational attributes */
  leaf downs {
    type yang:counter32;
    description
      "Number of times that a TTP was set to an operational state
      of 'down'.";
  }
  leaf ups {
    type yang:counter32;
    description
      "Number of times that a TTP was set to an operational state
      of 'up'.";
  }
  leaf in-service-clears {
    type yang:counter32;
    description
      "Number of times that a TTP was taken out of service
      (TE tunnel was released).";
  }
  leaf in-service-sets {
    type yang:counter32;
    description
      "Number of times that a TTP was put in service by a TE
      tunnel (TE tunnel was set up).";
  }
}
// tunnel-termination-point
container local-link-connectivity {
  description
    "Contains statistics attributes at the TE LLCL (Local Link
    Connectivity List) level.";
  leaf creates {
    type yang:counter32;
    description
      "Number of times that an LLCL entry was created.";
    reference
      "RFC 6241: Network Configuration Protocol (NETCONF),
      Section 7.2, 'create' operation";
  }
}
```

```
leaf deletes {
  type yang:counter32;
  description
    "Number of times that an LLCL entry was deleted.";
  reference
    "RFC 6241: Network Configuration Protocol (NETCONF),
      Section 7.2, 'delete' operation";
}
leaf disables {
  type yang:counter32;
  description
    "Number of times that an LLCL entry was disabled.";
}
leaf enables {
  type yang:counter32;
  description
    "Number of times that an LLCL entry was enabled.";
}
leaf modifies {
  type yang:counter32;
  description
    "Number of times that an LLCL entry was modified.";
}
}
// local-link-connectivity
}
// statistics-per-ttp

grouping te-link-augment {
  description
    "Augmentation for a TE link.";
  uses te-link-config;
  uses te-link-state-derived;
  container statistics {
    config false;
    description
      "Statistics data.";
    uses statistics-per-link;
  }
}
// te-link-augment

grouping te-link-config {
  description
    "TE link configuration grouping.";
  choice bundle-stack-level {
    description
      "The TE link can be partitioned into bundled links or
        component links.";
    case bundle {
      container bundled-links {
        description
          "A set of bundled links.";
        reference
          "RFC 4201: Link Bundling in MPLS Traffic
            Engineering (TE)";
        list bundled-link {
          key "sequence";
        }
      }
    }
  }
}
```



```
        description
          "Specifies a bundled interface that is
           further partitioned.";
        leaf sequence {
          type uint32;
          description
            "Identifies the sequence in the bundle.";
        }
      }
    }
  }
}
case component {
  container component-links {
    description
      "A set of component links.";
    list component-link {
      key "sequence";
      description
        "Specifies a component interface that is
         sufficient to unambiguously identify the
         appropriate resources.";
      leaf sequence {
        type uint32;
        description
          "Identifies the sequence in the bundle.";
      }
      leaf src-interface-ref {
        type string;
        description
          "Reference to a component link interface on the
           source node.";
      }
      leaf des-interface-ref {
        type string;
        description
          "Reference to a component link interface on the
           destination node.";
      }
    }
  }
}
// bundle-stack-level
leaf-list te-link-template {
  if-feature "template";
  type leafref {
    path "../../../../../te/templates/link-template/name";
  }
  description
    "The reference to a TE link template.";
}
uses te-link-config-attributes;
}
// te-link-config

grouping te-link-config-attributes {
  description
    "Link configuration attributes in a TE topology.";
```

```
container te-link-attributes {
  description
    "Link attributes in a TE topology.";
  leaf access-type {
    type te-types:te-link-access-type;
    description
      "Link access type, which can be point-to-point or
      multi-access.";
  }
  container external-domain {
    description
      "For an inter-domain link, specifies the attributes of
      the remote end of the link, to facilitate the signaling at
      the local end.";
    uses nw:network-ref;
    leaf remote-te-node-id {
      type te-types:te-node-id;
      description
        "Remote TE node identifier, used together with
        'remote-te-link-tp-id' to identify the remote Link
        Termination Point (LTP) in a different domain.";
    }
    leaf remote-te-link-tp-id {
      type te-types:te-tp-id;
      description
        "Remote TE LTP identifier, used together with
        'remote-te-node-id' to identify the remote LTP in a
        different domain.";
    }
  }
  leaf is-abstract {
    type empty;
    description
      "Present if the link is abstract.";
  }
  leaf name {
    type string;
    description
      "Link name.";
  }
  container underlay {
    if-feature "te-topology-hierarchy";
    description
      "Attributes of the TE link underlay.";
    reference
      "RFC 4206: Label Switched Paths (LSP) Hierarchy with
      Generalized Multi-Protocol Label Switching (GMPLS)
      Traffic Engineering (TE)";
    uses te-link-underlay-attributes;
  }
  leaf admin-status {
    type te-types:te-admin-status;
    description
      "The administrative state of the link.";
  }
  uses te-link-info-attributes;
}
// te-link-attributes
```

```

}
// te-link-config-attributes

grouping te-link-info-attributes {
  description
    "Advertised TE information attributes.";
  leaf link-index {
    type uint64;
    description
      "The link identifier. If OSPF is used, this object
      represents an ospfLsdbID. If IS-IS is used, this object
      represents an isisLSPIID. If a locally configured link is
      used, this object represents a unique value, which is
      locally defined in a router.";
  }
  leaf administrative-group {
    type te-types:admin-groups;
    description
      "Administrative group or color of the link.
      This attribute covers both administrative groups (defined
      in RFCs 3630 and 5305) and Extended Administrative Groups
      (defined in RFC 7308).";
    reference
      "RFC 3630: Traffic Engineering (TE) Extensions to OSPF
      Version 2
      RFC 5305: IS-IS Extensions for Traffic Engineering
      RFC 7308: Extended Administrative Groups in MPLS Traffic
      Engineering (MPLS-TE)";
  }
  uses interface-switching-capability-list;
  uses te-types:label-set-info;
  leaf link-protection-type {
    type identityref {
      base te-types:link-protection-type;
    }
    description
      "Link Protection Type desired for this link.";
    reference
      "RFC 4202: Routing Extensions in Support of
      Generalized Multi-Protocol Label Switching (GMPLS)";
  }
  container max-link-bandwidth {
    uses te-types:te-bandwidth;
    description
      "Maximum bandwidth that can be seen on this link in this
      direction. Units are in bytes per second.";
    reference
      "RFC 3630: Traffic Engineering (TE) Extensions to OSPF
      Version 2
      RFC 5305: IS-IS Extensions for Traffic Engineering";
  }
  container max-resv-link-bandwidth {
    uses te-types:te-bandwidth;
    description
      "Maximum amount of bandwidth that can be reserved in this
      direction in this link. Units are in bytes per second.";
    reference
      "RFC 3630: Traffic Engineering (TE) Extensions to OSPF

```

```
    Version 2
    RFC 5305: IS-IS Extensions for Traffic Engineering";
}
list unreserved-bandwidth {
  key "priority";
  max-elements 8;
  description
    "Unreserved bandwidth for priority levels 0-7. Units are in
    bytes per second.";
  reference
    "RFC 3630: Traffic Engineering (TE) Extensions to OSPF
    Version 2
    RFC 5305: IS-IS Extensions for Traffic Engineering";
  leaf priority {
    type uint8 {
      range "0..7";
    }
    description
      "Priority.";
  }
  uses te-types:te-bandwidth;
}
leaf te-default-metric {
  type uint32;
  description
    "Traffic Engineering metric.";
  reference
    "RFC 3630: Traffic Engineering (TE) Extensions to OSPF
    Version 2
    RFC 5305: IS-IS Extensions for Traffic Engineering";
}
leaf te-delay-metric {
  type uint32;
  description
    "Traffic Engineering delay metric.";
  reference
    "RFC 7471: OSPF Traffic Engineering (TE) Metric Extensions";
}
leaf te-igp-metric {
  type uint32;
  description
    "IGP metric used for Traffic Engineering.";
  reference
    "RFC 3785: Use of Interior Gateway Protocol (IGP) Metric as a
    second MPLS Traffic Engineering (TE) Metric";
}
container te-srlgs {
  description
    "Contains a list of SRLGs.";
  leaf-list value {
    type te-types:srlg;
    description
      "SRLG value.";
    reference
      "RFC 4202: Routing Extensions in Support of
      Generalized Multi-Protocol Label Switching (GMPLS)";
  }
}
```

```
    container te-nsrlgs {
      if-feature "nsrlg";
      description
        "Contains a list of NSRLGs (Non-Shared Risk Link Groups).
        When an abstract TE link is configured, this list specifies
        the request that underlay TE paths need to be mutually
        disjoint with other TE links in the same groups.";
      leaf-list id {
        type uint32;
        description
          "NSRLG ID, uniquely configured within a topology.";
        reference
          "RFC 4872: RSVP-TE Extensions in Support of End-to-End
          Generalized Multi-Protocol Label Switching (GMPLS)
          Recovery";
      }
    }
  }
}
// te-link-info-attributes

grouping te-link-iscd-attributes {
  description
    "TE link ISCD attributes.";
  reference
    "RFC 4203: OSPF Extensions in Support of Generalized
    Multi-Protocol Label Switching (GMPLS), Section 1.4";
  list max-lsp-bandwidth {
    key "priority";
    max-elements 8;
    description
      "Maximum Label Switched Path (LSP) bandwidth at
      priorities 0-7.";
    leaf priority {
      type uint8 {
        range "0..7";
      }
      description
        "Priority.";
    }
    uses te-types:te-bandwidth;
  }
}
// te-link-iscd-attributes

grouping te-link-state-derived {
  description
    "Link state attributes in a TE topology.";
  leaf oper-status {
    type te-types:te-oper-status;
    config false;
    description
      "The current operational state of the link.";
  }
  leaf is-transitional {
    type empty;
    config false;
    description
      "Present if the link is transitional; used as an
```

```

        alternative approach in lieu of 'inter-layer-lock-id'
        for path computation in a TE topology covering multiple
        layers or multiple regions.";
    reference
        "RFC 5212: Requirements for GMPLS-Based Multi-Region and
        Multi-Layer Networks (MRN/MLN)
        RFC 6001: Generalized MPLS (GMPLS) Protocol Extensions
        for Multi-Layer and Multi-Region Networks (MLN/MRN)";
    }
    uses information-source-per-link-attributes;
    list information-source-entry {
        key "information-source information-source-instance";
        config false;
        description
            "A list of information sources learned, including the source
            that is used.";
        uses information-source-per-link-attributes;
        uses te-link-info-attributes;
    }
    container recovery {
        config false;
        description
            "Status of the recovery process.";
        leaf restoration-status {
            type te-types:te-recovery-status;
            description
                "Restoration status.";
        }
        leaf protection-status {
            type te-types:te-recovery-status;
            description
                "Protection status.";
        }
    }
    }
    container underlay {
        if-feature "te-topology-hierarchy";
        config false;
        description
            "State attributes for the TE link underlay.";
        leaf dynamic {
            type boolean;
            description
                "'true' if the underlay is dynamically created.";
        }
        leaf committed {
            type boolean;
            description
                "'true' if the underlay is committed.";
        }
    }
    }
    // te-link-state-derived

    grouping te-link-underlay-attributes {
        description
            "Attributes for the TE link underlay.";
        reference
            "RFC 4206: Label Switched Paths (LSP) Hierarchy with

```

```
    Generalized Multi-Protocol Label Switching (GMPLS)
    Traffic Engineering (TE)";
  leaf enabled {
    type boolean;
    description
      "'true' if the underlay is enabled.
      'false' if the underlay is disabled.";
  }
  container primary-path {
    description
      "The service path on the underlay topology that
      supports this link.";
    uses nw:network-ref;
    list path-element {
      key "path-element-id";
      description
        "A list of path elements describing the service path.";
      leaf path-element-id {
        type uint32;
        description
          "To identify the element in a path.";
      }
      uses te-path-element;
    }
  }
  // primary-path
  list backup-path {
    key "index";
    description
      "A list of backup service paths on the underlay topology that
      protect the underlay primary path. If the primary path is
      not protected, the list contains zero elements. If the
      primary path is protected, the list contains one or more
      elements.";
    leaf index {
      type uint32;
      description
        "A sequence number to identify a backup path.";
    }
    uses nw:network-ref;
    list path-element {
      key "path-element-id";
      description
        "A list of path elements describing the backup service
        path.";
      leaf path-element-id {
        type uint32;
        description
          "To identify the element in a path.";
      }
      uses te-path-element;
    }
  }
  // backup-path
  leaf protection-type {
    type identityref {
      base te-types:lsp-protection-type;
    }
  }
}
```

```
    description
      "Underlay protection type desired for this link.";
  }
  container tunnel-termination-points {
    description
      "Underlay TTPs desired for this link.";
    leaf source {
      type binary;
      description
        "Source TTP identifier.";
    }
    leaf destination {
      type binary;
      description
        "Destination TTP identifier.";
    }
  }
}
container tunnels {
  description
    "Underlay TE tunnels supporting this TE link.";
  leaf sharing {
    type boolean;
    default "true";
    description
      "'true' if the underlay tunnel can be shared with other
      TE links;
      'false' if the underlay tunnel is dedicated to this
      TE link.
      This leaf is the default option for all TE tunnels
      and may be overridden by the per-TE-tunnel value.";
  }
  list tunnel {
    key "tunnel-name";
    description
      "Zero, one, or more underlay TE tunnels that support this
      TE link.";
    leaf tunnel-name {
      type string;
      description
        "A tunnel name uniquely identifies an underlay TE tunnel,
        used together with the 'source-node' value for this
        link.";
      reference
        "RFC 3209: RSVP-TE: Extensions to RSVP for LSP Tunnels";
    }
    leaf sharing {
      type boolean;
      description
        "'true' if the underlay tunnel can be shared with other
        TE links;
        'false' if the underlay tunnel is dedicated to this
        TE link.";
    }
  }
  // tunnel
}
// tunnels
}
```



```
// te-link-underlay-attributes

grouping te-node-augment {
  description
    "Augmentation for a TE node.";
  uses te-node-config;
  uses te-node-state-derived;
  container statistics {
    config false;
    description
      "Statistics data.";
    uses statistics-per-node;
  }
  list tunnel-termination-point {
    key "tunnel-tp-id";
    description
      "A termination point can terminate a tunnel.";
    leaf tunnel-tp-id {
      type binary;
      description
        "TTP identifier.";
    }
    uses te-node-tunnel-termination-point-config;
    leaf oper-status {
      type te-types:te-oper-status;
      config false;
      description
        "The current operational state of the TTP.";
    }
    uses geolocation-container;
    container statistics {
      config false;
      description
        "Statistics data.";
      uses statistics-per-ttp;
    }
    // Relationship to other TTPs
    list supporting-tunnel-termination-point {
      key "node-ref tunnel-tp-ref";
      description
        "Identifies the TTPs on which this TTP depends.";
      leaf node-ref {
        type inet:uri;
        description
          "This leaf identifies the node in which the supporting
          TTP is present.
          This node is either the supporting node or a node in
          an underlay topology.";
      }
      leaf tunnel-tp-ref {
        type binary;
        description
          "Reference to a TTP that is in either the supporting node
          or a node in an underlay topology.";
      }
    }
  }
  // supporting-tunnel-termination-point
}
```

```
// tunnel-termination-point
}
// te-node-augment

grouping te-node-config {
  description
    "TE node configuration grouping.";
  leaf-list te-node-template {
    if-feature "template";
    type leafref {
      path "../../../../../te/templates/node-template/name";
    }
    description
      "The reference to a TE node template.";
  }
  uses te-node-config-attributes;
}
// te-node-config

grouping te-node-config-attributes {
  description
    "Configuration node attributes in a TE topology.";
  container te-node-attributes {
    description
      "Contains node attributes in a TE topology.";
    leaf admin-status {
      type te-types:te-admin-status;
      description
        "The administrative state of the link.";
    }
    uses te-node-connectivity-matrices;
    uses te-node-info-attributes;
  }
}
// te-node-config-attributes

grouping te-node-config-attributes-template {
  description
    "Configuration node attributes for a template in a TE
    topology.";
  container te-node-attributes {
    description
      "Contains node attributes in a TE topology.";
    leaf admin-status {
      type te-types:te-admin-status;
      description
        "The administrative state of the link.";
    }
    uses te-node-info-attributes;
  }
}
// te-node-config-attributes-template

grouping te-node-connectivity-matrices {
  description
    "Connectivity matrix on a TE node.";
  container connectivity-matrices {
    description
```

```

    "Contains a connectivity matrix on a TE node.";
    leaf number-of-entries {
        type uint16;
        description
            "The number of connectivity matrix entries.
            If this number is specified in the configuration request,
            the number is the requested number of entries, which may
            not all be listed in the list;
            if this number is reported in the state data,
            the number is the current number of operational entries.";
    }
    uses te-types:label-set-info;
    uses connectivity-matrix-entry-path-attributes;
    list connectivity-matrix {
        key "id";
        description
            "Represents a node's switching limitations, i.e.,
            limitations in the interconnecting network TE links
            across the node.";
        reference
            "RFC 7579: General Network Element Constraint Encoding
            for GMPLS-Controlled Networks";
        leaf id {
            type uint32;
            description
                "Identifies the connectivity matrix entry.";
        }
    }
    // connectivity-matrix
}
// connectivity-matrices
}
// te-node-connectivity-matrices

grouping te-node-connectivity-matrix-attributes {
    description
        "Termination point references of a connectivity matrix entry.";
    container from {
        description
            "Reference to a source LTP.";
        leaf tp-ref {
            type leafref {
                path "../..//..//..//..//nt:termination-point/nt:tp-id";
            }
            description
                "Relative reference to a termination point.";
        }
        uses te-types:label-set-info;
    }
    container to {
        description
            "Reference to a destination LTP.";
        leaf tp-ref {
            type leafref {
                path "../..//..//..//..//nt:termination-point/nt:tp-id";
            }
            description
                "Relative reference to a termination point.";
        }
    }
}

```

```
    }
    uses te-types:label-set-info;
  }
  uses connectivity-matrix-entry-path-attributes;
}
// te-node-connectivity-matrix-attributes

grouping te-node-info-attributes {
  description
    "Advertised TE information attributes.";
  leaf domain-id {
    type uint32;
    description
      "Identifies the domain to which this node belongs.
      This attribute is used to support inter-domain links.";
    reference
      "RFC 5152: A Per-Domain Path Computation Method for
      Establishing Inter-Domain Traffic Engineering (TE)
      Label Switched Paths (LSPs)
      RFC 5316: ISIS Extensions in Support of Inter-Autonomous
      System (AS) MPLS and GMPLS Traffic Engineering
      RFC 5392: OSPF Extensions in Support of Inter-Autonomous
      System (AS) MPLS and GMPLS Traffic Engineering";
  }
  leaf is-abstract {
    type empty;
    description
      "Present if the node is abstract; not present if the node
      is actual.";
  }
  leaf name {
    type string;
    description
      "Node name.";
  }
  leaf-list signaling-address {
    type inet:ip-address;
    description
      "The node's signaling address.";
  }
  container underlay-topology {
    if-feature "te-topology-hierarchy";
    description
      "When an abstract node encapsulates a topology, the
      attributes in this container point to said topology.";
    uses nw:network-ref;
  }
}
// te-node-info-attributes

grouping te-node-state-derived {
  description
    "Node state attributes in a TE topology.";
  leaf oper-status {
    type te-types:te-oper-status;
    config false;
    description
      "The current operational state of the node.";
  }
}
```

```

    }
    uses geolocation-container;
    leaf is-multi-access-dr {
        type empty;
        config false;
        description
            "The presence of this attribute indicates that this TE node
            is a pseudonode elected as a designated router.";
        reference
            "RFC 1195: Use of OSI IS-IS for Routing in TCP/IP and Dual
            Environments
            RFC 3630: Traffic Engineering (TE) Extensions to OSPF
            Version 2";
    }
    uses information-source-per-node-attributes;
    list information-source-entry {
        key "information-source information-source-instance";
        config false;
        description
            "A list of information sources learned, including the source
            that is used.";
        uses information-source-per-node-attributes;
        uses te-node-connectivity-matrices;
        uses te-node-info-attributes;
    }
}
// te-node-state-derived

grouping te-node-tunnel-termination-point-config {
    description
        "Termination capability of a TTP on a TE node.";
    uses te-node-tunnel-termination-point-config-attributes;
    container local-link-connectivities {
        description
            "Contains an LLCL for a TTP on a TE node.";
        leaf number-of-entries {
            type uint16;
            description
                "The number of LLCL entries.
                If this number is specified in the configuration request,
                the number is the requested number of entries, which may
                not all be listed in the list;
                if this number is reported in the state data,
                the number is the current number of operational entries.";
        }
        uses te-types:label-set-info;
        uses connectivity-matrix-entry-path-attributes;
    }
}
// te-node-tunnel-termination-point-config

grouping te-node-tunnel-termination-point-config-attributes {
    description
        "Configuration attributes of a TTP on a TE node.";
    leaf admin-status {
        type te-types:te-admin-status;
        description
            "The administrative state of the TTP.";
    }
}

```

```
}
leaf name {
  type string;
  description
    "A descriptive name for the TTP.";
}
leaf switching-capability {
  type identityref {
    base te-types:switching-capabilities;
  }
  description
    "Switching capability for this interface.";
}
leaf encoding {
  type identityref {
    base te-types:lsp-encoding-types;
  }
  description
    "Encoding supported by this interface.";
}
leaf-list inter-layer-lock-id {
  type uint32;
  description
    "Inter-layer lock ID, used for path computation in a TE
    topology covering multiple layers or multiple regions.";
  reference
    "RFC 5212: Requirements for GMPLS-Based Multi-Region and
    Multi-Layer Networks (MRN/MLN)
    RFC 6001: Generalized MPLS (GMPLS) Protocol Extensions
    for Multi-Layer and Multi-Region Networks (MLN/MRN)";
}
leaf protection-type {
  type identityref {
    base te-types:lsp-protection-type;
  }
  description
    "The protection type that this TTP is capable of.";
}
container client-layer-adaptation {
  description
    "Contains capability information to support a client-layer
    adaptation in a multi-layer topology.";
  list switching-capability {
    key "switching-capability encoding";
    description
      "List of supported switching capabilities.";
    reference
      "RFC 4202: Routing Extensions in Support of
      Generalized Multi-Protocol Label Switching (GMPLS)
      RFC 6001: Generalized MPLS (GMPLS) Protocol Extensions
      for Multi-Layer and Multi-Region Networks (MLN/MRN)";
    leaf switching-capability {
      type identityref {
        base te-types:switching-capabilities;
      }
      description
        "Switching capability for the client-layer adaptation.";
    }
  }
}
```

```

        leaf encoding {
            type identityref {
                base te-types:lsp-encoding-types;
            }
            description
                "Encoding supported by the client-layer adaptation.";
        }
        uses te-types:te-bandwidth;
    }
}
}
// te-node-tunnel-termination-point-config-attributes

grouping te-node-tunnel-termination-point-llc-list {
    description
        "LLCL of a TTP on a TE node.";
    list local-link-connectivity {
        key "link-tp-ref";
        description
            "The termination capabilities between the TTP and the LTP.
            This capability information can be used to compute
            the tunnel path.
            The Interface Adjustment Capability Descriptors (IACDs)
            (defined in RFC 6001) on each LTP can be derived from
            this list.";
        reference
            "RFC 6001: Generalized MPLS (GMPLS) Protocol Extensions
            for Multi-Layer and Multi-Region Networks (MLN/MRN)";
        leaf link-tp-ref {
            type leafref {
                path "../..../..../nt:termination-point/nt:tp-id";
            }
            description
                "LTP.";
        }
        uses te-types:label-set-info;
        uses connectivity-matrix-entry-path-attributes;
    }
}
// te-node-tunnel-termination-point-llc-list

grouping te-path-element {
    description
        "A group of attributes defining an element in a TE path,
        such as a TE node, TE link, TE atomic resource, or label.";
    uses te-types:explicit-route-hop;
}
// te-path-element

grouping te-termination-point-augment {
    description
        "Augmentation for a TE termination point.";
    leaf te-tp-id {
        type te-types:te-tp-id;
        description
            "An identifier that uniquely identifies a TE termination
            point.";
    }
}

```

```
    container te {
      must '../te-tp-id';
      presence "TE support";
      description
        "Indicates TE support.";
      uses te-termination-point-config;
      leaf oper-status {
        type te-types:te-oper-status;
        config false;
        description
          "The current operational state of the LTP.";
      }
      uses geolocation-container;
    }
  }
// te-termination-point-augment

grouping te-termination-point-config {
  description
    "TE termination point configuration grouping.";
  leaf admin-status {
    type te-types:te-admin-status;
    description
      "The administrative state of the LTP.";
  }
  leaf name {
    type string;
    description
      "A descriptive name for the LTP.";
  }
  uses interface-switching-capability-list;
  leaf inter-domain-plug-id {
    type binary;
    description
      "A network-wide unique number that identifies on the
      network a connection that supports a given inter-domain
      TE link. This is a more flexible alternative to specifying
      'remote-te-node-id' and 'remote-te-link-tp-id' on a TE link
      when the provider either does not know 'remote-te-node-id'
      and 'remote-te-link-tp-id' or needs to give the client the
      flexibility to mix and match multiple topologies.";
  }
  leaf-list inter-layer-lock-id {
    type uint32;
    description
      "Inter-layer lock ID, used for path computation in a TE
      topology covering multiple layers or multiple regions.";
    reference
      "RFC 5212: Requirements for GMPLS-Based Multi-Region and
      Multi-Layer Networks (MRN/MLN)
      RFC 6001: Generalized MPLS (GMPLS) Protocol Extensions
      for Multi-Layer and Multi-Region Networks (MLN/MRN)";
  }
}
// te-termination-point-config

grouping te-topologies-augment {
  description
```



```

    "Augmentation for TE topologies.";
  container te {
    presence "TE support";
    description
      "Indicates TE support.";
    container templates {
      description
        "Configuration parameters for templates used for a TE
        topology.";
      list node-template {
        if-feature "template";
        key "name";
        leaf name {
          type te-types:te-template-name;
          description
            "The name to identify a TE node template.";
        }
        description
          "The list of TE node templates used to define sharable
          and reusable TE node attributes.";
        uses template-attributes;
        uses te-node-config-attributes-template;
      }
      // node-template
      list link-template {
        if-feature "template";
        key "name";
        leaf name {
          type te-types:te-template-name;
          description
            "The name to identify a TE link template.";
        }
        description
          "The list of TE link templates used to define sharable
          and reusable TE link attributes.";
        uses template-attributes;
        uses te-link-config-attributes;
      }
      // link-template
    }
    // templates
  }
  // te
}
// te-topologies-augment

grouping te-topology-augment {
  description
    "Augmentation for a TE topology.";
  uses te-types:te-topology-identifier;
  container te {
    must '../te-topology-identifier/provider-id'
      + ' and ../te-topology-identifier/client-id'
      + ' and ../te-topology-identifier/topology-id';
    presence "TE support";
    description
      "Indicates TE support.";
    uses te-topology-config;
  }
}

```

```
    uses geolocation-container;
  }
}
// te-topology-augment

grouping te-topology-config {
  description
    "TE topology configuration grouping.";
  leaf name {
    type string;
    description
      "Name of the TE topology. This attribute is optional and can
      be specified by the operator to describe the TE topology,
      which can be useful when 'network-id' (RFC 8345) is not
      descriptive and not modifiable because of being generated
      by the system.";
    reference
      "RFC 8345: A YANG Data Model for Network Topologies";
  }
  leaf preference {
    type uint8 {
      range "1..255";
    }
    description
      "Specifies a preference for this topology. A lower number
      indicates a higher preference.";
  }
  leaf optimization-criterion {
    type identityref {
      base te-types:objective-function-type;
    }
    description
      "Optimization criterion applied to this topology.";
    reference
      "RFC 3272: Overview and Principles of Internet Traffic
      Engineering";
  }
  list nsrlg {
    if-feature "nsrlg";
    key "id";
    description
      "List of NSRLGs (Non-Shared Risk Link Groups).";
    reference
      "RFC 4872: RSVP-TE Extensions in Support of End-to-End
      Generalized Multi-Protocol Label Switching (GMPLS)
      Recovery";
    leaf id {
      type uint32;
      description
        "Identifies the NSRLG entry.";
    }
    leaf disjointness {
      type te-types:te-path-disjointness;
      description
        "The type of resource disjointness.";
    }
  }
}
// nsrlg
```

```
}
// te-topology-config

grouping template-attributes {
  description
    "Common attributes for all templates.";
  leaf priority {
    type uint16;
    description
      "The preference value for resolving conflicts between
      different templates. When two or more templates specify
      values for one configuration attribute, the value from the
      template with the highest priority is used.
      A lower number indicates a higher priority. The highest
      priority is 0.";
  }
  leaf reference-change-policy {
    type enumeration {
      enum no-action {
        description
          "When an attribute changes in this template, the
          configuration node referring to this template does
          not take any action.";
      }
      enum not-allowed {
        description
          "When any configuration object has a reference to this
          template, changing this template is not allowed.";
      }
      enum cascade {
        description
          "When an attribute changes in this template, the
          configuration object referring to this template applies
          the new attribute value to the corresponding
          configuration.";
      }
    }
    description
      "This attribute specifies the action taken for a
      configuration node that has a reference to this template.";
  }
}
// template-attributes

/*
 * Data nodes
 */

augment "/nw:networks/nw:network/nw:network-types" {
  description
    "Introduces a new network type for a TE topology.";
  container te-topology {
    presence "Indicates a TE topology";
    description
      "Its presence identifies the TE topology type.";
  }
}
```

```
augment "/nw:networks" {
  description
    "Augmentation parameters for TE topologies.";
  uses te-topologies-augment;
}

augment "/nw:networks/nw:network" {
  when 'nw:network-types/tet:te-topology' {
    description
      "Augmentation parameters apply only for networks with a
      TE topology type.";
  }
  description
    "Configuration parameters for a TE topology.";
  uses te-topology-augment;
}

augment "/nw:networks/nw:network/nw:node" {
  when '../nw:network-types/tet:te-topology' {
    description
      "Augmentation parameters apply only for networks with a
      TE topology type.";
  }
  description
    "Configuration parameters for TE at the node level.";
  leaf te-node-id {
    type te-types:te-node-id;
    description
      "The identifier of a node in the TE topology.
      A node is specific to a topology to which it belongs.";
  }
  container te {
    must '../te-node-id' {
      description
        "'te-node-id' is mandatory.";
    }
    must 'count(..nw:supporting-node)<=1' {
      description
        "For a node in a TE topology, there cannot be more
        than one supporting node. If multiple nodes are
        abstracted, the 'underlay-topology' field is used.";
    }
    presence "TE support";
    description
      "Indicates TE support.";
    uses te-node-augment;
  }
}

augment "/nw:networks/nw:network/nt:link" {
  when '../nw:network-types/tet:te-topology' {
    description
      "Augmentation parameters apply only for networks with a
      TE topology type.";
  }
  description
    "Configuration parameters for TE at the link level.";
  container te {
```

```

    must 'count(..//nt:supporting-link)<=1' {
      description
        "For a link in a TE topology, there cannot be more
        than one supporting link. If one or more link paths are
        abstracted, the underlay is used.";
    }
    presence "TE support";
    description
      "Indicates TE support.";
    uses te-link-augment;
  }
}

augment "/nw:networks/nw:network/nw:node/"
  + "nt:termination-point" {
  when '../..//nw:network-types/tet:te-topology' {
    description
      "Augmentation parameters apply only for networks with a
      TE topology type.";
  }
  description
    "Configuration parameters for TE at the termination point
    level.";
  uses te-termination-point-augment;
}

augment "/nw:networks/nw:network/nt:link/te/bundle-stack-level/"
  + "bundle/bundled-links/bundled-link" {
  when '../..//..//nw:network-types/tet:te-topology' {
    description
      "Augmentation parameters apply only for networks with a
      TE topology type.";
  }
  description
    "Augmentation for a TE bundled link.";
  leaf src-tp-ref {
    type leafref {
      path "../..//..//..//nw:node[nw:node-id = "
        + "current()//..//..//..//nt:source/"
        + "nt:source-node]/"
        + "nt:termination-point/nt:tp-id";
      require-instance true;
    }
    description
      "Reference to another TE termination point on the
      same source node.";
  }
  leaf des-tp-ref {
    type leafref {
      path "../..//..//..//nw:node[nw:node-id = "
        + "current()//..//..//..//nt:destination/"
        + "nt:dest-node]/"
        + "nt:termination-point/nt:tp-id";
      require-instance true;
    }
    description
      "Reference to another TE termination point on the
      same destination node.";
  }
}

```

```

    }
  }
  augment "/nw:networks/nw:network/nw:node/te/"
    + "information-source-entry/connectivity-matrices/"
    + "connectivity-matrix" {
    when '../..../..../nw:network-types/tet:te-topology' {
      description
        "Augmentation parameters apply only for networks with a
        TE topology type.";
    }
    description
      "Augmentation for the TE node connectivity matrix.";
    uses te-node-connectivity-matrix-attributes;
  }

  augment "/nw:networks/nw:network/nw:node/te/te-node-attributes/"
    + "connectivity-matrices/connectivity-matrix" {
    when '../..../..../nw:network-types/tet:te-topology' {
      description
        "Augmentation parameters apply only for networks with a
        TE topology type.";
    }
    description
      "Augmentation for the TE node connectivity matrix.";
    uses te-node-connectivity-matrix-attributes;
  }

  augment "/nw:networks/nw:network/nw:node/te/"
    + "tunnel-termination-point/local-link-connectivities" {
    when '../..../..../nw:network-types/tet:te-topology' {
      description
        "Augmentation parameters apply only for networks with a
        TE topology type.";
    }
    description
      "Augmentation for TE node TTP LLCs (Local Link
      Connectivities).";
    uses te-node-tunnel-termination-point-llc-list;
  }
}
<CODE ENDS>

```

8. Security Considerations

The YANG module specified in this document defines a schema for data that is designed to be accessed via network management protocols such as NETCONF [RFC6241] or RESTCONF [RFC8040]. The lowest NETCONF layer is the secure transport layer, and the mandatory-to-implement secure transport is Secure Shell (SSH) [RFC6242]. The lowest RESTCONF layer is HTTPS, and the mandatory-to-implement secure transport is TLS [RFC8446].

The Network Configuration Access Control Model (NACM) [RFC8341] provides the means to restrict access for particular NETCONF or RESTCONF users to a preconfigured subset of all available NETCONF or RESTCONF protocol operations and content.

There are a number of data nodes defined in this YANG module that are writable/creatable/deletable (i.e., config true, which is the default). These data nodes may be considered sensitive or vulnerable in some network environments. Write operations (e.g., edit-config) to these data nodes without proper protection can have a negative effect on network operations. These are the subtrees and data nodes and their sensitivity/vulnerability:

- /nw:networks/nw:network/nw:network-types/tet:te-topology

This subtree specifies the TE topology type. Modifying the configurations can render the TE topology type invalid. By making such modifications, a malicious attacker may disable the TE capabilities on the related networks and cause traffic to be disrupted or misrouted.

- /nw:networks/tet:te

This subtree specifies the TE node templates and TE link templates. Modifying the configurations in this subtree will change the related future TE configurations. By making such modifications, a malicious attacker may change TE capabilities scheduled at a future time and cause traffic to be disrupted or misrouted.

- /nw:networks/nw:network

This subtree specifies the topology-wide configurations, including the TE topology ID and topology-wide policies. Modifying the configurations in this subtree can add, remove, or modify TE topologies. By adding a TE topology, a malicious attacker may create an unauthorized traffic network. By removing or modifying a TE topology, a malicious attacker may cause traffic to be disabled or misrouted in the specified TE topology. Such traffic changes may also affect the traffic in the connected TE topologies.

- /nw:networks/nw:network/nw:node

This subtree specifies the configurations for TE nodes. Modifying the configurations in this subtree can add, remove, or modify TE nodes. By adding a TE node, a malicious attacker may create an unauthorized traffic path. By removing or modifying a TE node, a malicious attacker may cause traffic to be disabled or misrouted in the specified TE node. Such traffic changes may also affect the traffic on the surrounding TE nodes and TE links in this TE topology and the connected TE topologies.

- /nw:networks/nw:network/nt:link/tet:te

This subtree specifies the configurations for TE links. Modifying the configurations in this subtree can add, remove, or modify TE links. By adding a TE link, a malicious attacker may create an unauthorized traffic path. By removing or modifying a TE link, a malicious attacker may cause traffic to be disabled or misrouted on the specified TE link. Such traffic changes may also affect the traffic on the surrounding TE nodes and TE links in this TE topology and the connected TE topologies.

- /nw:networks/nw:network/nw:node/nt:termination-point

This subtree specifies the configurations of TE LTPs. Modifying the configurations in this subtree can add, remove, or modify TE LTPs. By adding a TE LTP, a malicious attacker may create an unauthorized traffic path. By removing or modifying a TE LTP, a malicious attacker may cause traffic to be disabled or misrouted on the specified TE LTP. Such traffic changes may also affect the traffic on the surrounding TE nodes and TE links in this TE topology and the connected TE topologies.

Some of the readable data nodes in this YANG module may be considered sensitive or vulnerable in some network environments. It is thus important to control read access (e.g., via get, get-config, or notification) to these data nodes. These are the subtrees and data nodes and their sensitivity/vulnerability:

- /nw:networks/nw:network/nw:network-types/tet:te-topology

Unauthorized access to this subtree can disclose the TE topology type.

- /nw:networks/tet:te

Unauthorized access to this subtree can disclose the TE node templates and TE link templates.

- /nw:networks/nw:network

Unauthorized access to this subtree can disclose the topology-wide configurations, including the TE topology ID, the topology-wide policies, and the topology geolocation.

- /nw:networks/nw:network/nw:node

Unauthorized access to this subtree can disclose the operational state information of TE nodes.

- /nw:networks/nw:network/nt:link/tet:te

Unauthorized access to this subtree can disclose the operational state information of TE links.

- /nw:networks/nw:network/nw:node/nt:termination-point

Unauthorized access to this subtree can disclose the operational state information of TE LTPs.

9. IANA Considerations

IANA has registered the following URIs in the "ns" subregistry within the "IETF XML Registry" [[RFC3688](#)].

URI: urn:ietf:params:xml:ns:yang:ietf-te-topology

Registrant Contact: The IESG.

XML: N/A; the requested URI is an XML namespace.

URI: urn:ietf:params:xml:ns:yang:ietf-te-topology-state

Registrant Contact: The IESG.

XML: N/A; the requested URI is an XML namespace.

IANA has registered the following YANG modules in the "YANG Module Names" subregistry [[RFC6020](#)] within the "YANG Parameters" registry.

Name: ietf-te-topology

Namespace: urn:ietf:params:xml:ns:yang:ietf-te-topology

Prefix: tet

Reference: RFC 8795

Name: ietf-te-topology-state

Namespace: urn:ietf:params:xml:ns:yang:ietf-te-topology-state

Prefix: tet-s

Reference: RFC 8795

10. References

10.1. Normative References

- [[RFC2119](#)] Bradner, S., "Key words for use in RFCs to Indicate Requirement Levels", BCP 14, RFC 2119, DOI 10.17487/RFC2119, March 1997, <<https://www.rfc-editor.org/info/rfc2119>>.
- [[RFC3688](#)] Mealling, M., "The IETF XML Registry", BCP 81, RFC 3688, DOI 10.17487/RFC3688, January 2004, <<https://www.rfc-editor.org/info/rfc3688>>.
- [[RFC3945](#)] Mannie, E., Ed., "Generalized Multi-Protocol Label Switching (GMPLS) Architecture", RFC 3945, DOI 10.17487/RFC3945, October 2004, <<https://www.rfc-editor.org/info/rfc3945>>.
- [[RFC6020](#)] Bjorklund, M., Ed., "YANG - A Data Modeling Language for the Network Configuration Protocol (NETCONF)", RFC 6020, DOI 10.17487/RFC6020, October 2010, <<https://www.rfc-editor.org/info/rfc6020>>.
- [[RFC6241](#)] Enns, R., Ed., Bjorklund, M., Ed., Schoenwaelder, J., Ed., and A. Bierman, Ed., "Network Configuration Protocol (NETCONF)", RFC 6241, DOI 10.17487/RFC6241, June 2011, <<https://www.rfc-editor.org/info/rfc6241>>.
- [[RFC6242](#)] Wasserman, M., "Using the NETCONF Protocol over Secure Shell (SSH)", RFC 6242, DOI 10.17487/RFC6242, June 2011, <<https://www.rfc-editor.org/info/rfc6242>>.

-
- [RFC6991] Schoenwaelder, J., Ed., "Common YANG Data Types", RFC 6991, DOI 10.17487/RFC6991, July 2013, <<https://www.rfc-editor.org/info/rfc6991>>.
 - [RFC7926] Farrel, A., Ed., Drake, J., Bitar, N., Swallow, G., Ceccarelli, D., and X. Zhang, "Problem Statement and Architecture for Information Exchange between Interconnected Traffic-Engineered Networks", BCP 206, RFC 7926, DOI 10.17487/RFC7926, July 2016, <<https://www.rfc-editor.org/info/rfc7926>>.
 - [RFC7950] Bjorklund, M., Ed., "The YANG 1.1 Data Modeling Language", RFC 7950, DOI 10.17487/RFC7950, August 2016, <<https://www.rfc-editor.org/info/rfc7950>>.
 - [RFC8040] Bierman, A., Bjorklund, M., and K. Watsen, "RESTCONF Protocol", RFC 8040, DOI 10.17487/RFC8040, January 2017, <<https://www.rfc-editor.org/info/rfc8040>>.
 - [RFC8174] Leiba, B., "Ambiguity of Uppercase vs Lowercase in RFC 2119 Key Words", BCP 14, RFC 8174, DOI 10.17487/RFC8174, May 2017, <<https://www.rfc-editor.org/info/rfc8174>>.
 - [RFC8341] Bierman, A. and M. Bjorklund, "Network Configuration Access Control Model", STD 91, RFC 8341, DOI 10.17487/RFC8341, March 2018, <<https://www.rfc-editor.org/info/rfc8341>>.
 - [RFC8342] Bjorklund, M., Schoenwaelder, J., Shafer, P., Watsen, K., and R. Wilton, "Network Management Datastore Architecture (NMDA)", RFC 8342, DOI 10.17487/RFC8342, March 2018, <<https://www.rfc-editor.org/info/rfc8342>>.
 - [RFC8345] Clemm, A., Medved, J., Varga, R., Bahadur, N., Ananthakrishnan, H., and X. Liu, "A YANG Data Model for Network Topologies", RFC 8345, DOI 10.17487/RFC8345, March 2018, <<https://www.rfc-editor.org/info/rfc8345>>.
 - [RFC8446] Rescorla, E., "The Transport Layer Security (TLS) Protocol Version 1.3", RFC 8446, DOI 10.17487/RFC8446, August 2018, <<https://www.rfc-editor.org/info/rfc8446>>.
 - [RFC8776] Saad, T., Gandhi, R., Liu, X., Beeram, V., and I. Bryskin, "Common YANG Data Types for Traffic Engineering", RFC 8776, DOI 10.17487/RFC8776, June 2020, <<https://www.rfc-editor.org/info/rfc8776>>.

10.2. Informative References

- [G.709] ITU-T, "Interfaces for the optical transport network", ITU-T Recommendation G.709, June 2020, <<https://www.itu.int/rec/T-REC-G.709/>>.
- [G.805] ITU-T, "Generic functional architecture of transport networks", ITU-T Recommendation G.805, March 2000, <<https://www.itu.int/rec/T-REC-G.805/en>>.
- [G.8080] ITU-T, "Architecture for the automatically switched optical network", ITU-T Recommendation G.8080, February 2012, <<https://www.itu.int/rec/T-REC-G.8080/en>>.

-
- [G.872]** ITU-T, "Architecture of optical transport networks", ITU-T Recommendation G.872, December 2019, <<https://www.itu.int/rec/T-REC-G.872/en>>.
- [RFC1195]** Callon, R., "Use of OSI IS-IS for routing in TCP/IP and dual environments", RFC 1195, DOI 10.17487/RFC1195, December 1990, <<https://www.rfc-editor.org/info/rfc1195>>.
- [RFC2702]** Awduche, D., Malcolm, J., Agogbua, J., O'Dell, M., and J. McManus, "Requirements for Traffic Engineering Over MPLS", RFC 2702, DOI 10.17487/RFC2702, September 1999, <<https://www.rfc-editor.org/info/rfc2702>>.
- [RFC3209]** Awduche, D., Berger, L., Gan, D., Li, T., Srinivasan, V., and G. Swallow, "RSVP-TE: Extensions to RSVP for LSP Tunnels", RFC 3209, DOI 10.17487/RFC3209, December 2001, <<https://www.rfc-editor.org/info/rfc3209>>.
- [RFC3272]** Awduche, D., Chiu, A., Elwalid, A., Widjaja, I., and X. Xiao, "Overview and Principles of Internet Traffic Engineering", RFC 3272, DOI 10.17487/RFC3272, May 2002, <<https://www.rfc-editor.org/info/rfc3272>>.
- [RFC3471]** Berger, L., Ed., "Generalized Multi-Protocol Label Switching (GMPLS) Signaling Functional Description", RFC 3471, DOI 10.17487/RFC3471, January 2003, <<https://www.rfc-editor.org/info/rfc3471>>.
- [RFC3630]** Katz, D., Kompella, K., and D. Yeung, "Traffic Engineering (TE) Extensions to OSPF Version 2", RFC 3630, DOI 10.17487/RFC3630, September 2003, <<https://www.rfc-editor.org/info/rfc3630>>.
- [RFC3785]** Le Faucheur, F., Uppili, R., Vedrenne, A., Merckx, P., and T. Telkamp, "Use of Interior Gateway Protocol (IGP) Metric as a second MPLS Traffic Engineering (TE) Metric", BCP 87, RFC 3785, DOI 10.17487/RFC3785, May 2004, <<https://www.rfc-editor.org/info/rfc3785>>.
- [RFC4201]** Kompella, K., Rekhter, Y., and L. Berger, "Link Bundling in MPLS Traffic Engineering (TE)", RFC 4201, DOI 10.17487/RFC4201, October 2005, <<https://www.rfc-editor.org/info/rfc4201>>.
- [RFC4202]** Kompella, K., Ed. and Y. Rekhter, Ed., "Routing Extensions in Support of Generalized Multi-Protocol Label Switching (GMPLS)", RFC 4202, DOI 10.17487/RFC4202, October 2005, <<https://www.rfc-editor.org/info/rfc4202>>.
- [RFC4203]** Kompella, K., Ed. and Y. Rekhter, Ed., "OSPF Extensions in Support of Generalized Multi-Protocol Label Switching (GMPLS)", RFC 4203, DOI 10.17487/RFC4203, October 2005, <<https://www.rfc-editor.org/info/rfc4203>>.
- [RFC4206]** Kompella, K. and Y. Rekhter, "Label Switched Paths (LSP) Hierarchy with Generalized Multi-Protocol Label Switching (GMPLS) Traffic Engineering (TE)", RFC 4206, DOI 10.17487/RFC4206, October 2005, <<https://www.rfc-editor.org/info/rfc4206>>.
-

-
- [RFC4872] Lang, J.P., Ed., Rekhter, Y., Ed., and D. Papadimitriou, Ed., "RSVP-TE Extensions in Support of End-to-End Generalized Multi-Protocol Label Switching (GMPLS) Recovery", RFC 4872, DOI 10.17487/RFC4872, May 2007, <<https://www.rfc-editor.org/info/rfc4872>>.
- [RFC5152] Vasseur, JP., Ed., Ayyangar, A., Ed., and R. Zhang, "A Per-Domain Path Computation Method for Establishing Inter-Domain Traffic Engineering (TE) Label Switched Paths (LSPs)", RFC 5152, DOI 10.17487/RFC5152, February 2008, <<https://www.rfc-editor.org/info/rfc5152>>.
- [RFC5212] Shiomoto, K., Papadimitriou, D., Le Roux, JL., Vigoureux, M., and D. Brungard, "Requirements for GMPLS-Based Multi-Region and Multi-Layer Networks (MRN/MLN)", RFC 5212, DOI 10.17487/RFC5212, July 2008, <<https://www.rfc-editor.org/info/rfc5212>>.
- [RFC5305] Li, T. and H. Smit, "IS-IS Extensions for Traffic Engineering", RFC 5305, DOI 10.17487/RFC5305, October 2008, <<https://www.rfc-editor.org/info/rfc5305>>.
- [RFC5316] Chen, M., Zhang, R., and X. Duan, "ISIS Extensions in Support of Inter-Autonomous System (AS) MPLS and GMPLS Traffic Engineering", RFC 5316, DOI 10.17487/RFC5316, December 2008, <<https://www.rfc-editor.org/info/rfc5316>>.
- [RFC5392] Chen, M., Zhang, R., and X. Duan, "OSPF Extensions in Support of Inter-Autonomous System (AS) MPLS and GMPLS Traffic Engineering", RFC 5392, DOI 10.17487/RFC5392, January 2009, <<https://www.rfc-editor.org/info/rfc5392>>.
- [RFC6001] Papadimitriou, D., Vigoureux, M., Shiomoto, K., Brungard, D., and JL. Le Roux, "Generalized MPLS (GMPLS) Protocol Extensions for Multi-Layer and Multi-Region Networks (MLN/MRN)", RFC 6001, DOI 10.17487/RFC6001, October 2010, <<https://www.rfc-editor.org/info/rfc6001>>.
- [RFC7308] Osborne, E., "Extended Administrative Groups in MPLS Traffic Engineering (MPLS-TE)", RFC 7308, DOI 10.17487/RFC7308, July 2014, <<https://www.rfc-editor.org/info/rfc7308>>.
- [RFC7471] Giacalone, S., Ward, D., Drake, J., Atlas, A., and S. Previdi, "OSPF Traffic Engineering (TE) Metric Extensions", RFC 7471, DOI 10.17487/RFC7471, March 2015, <<https://www.rfc-editor.org/info/rfc7471>>.
- [RFC7579] Bernstein, G., Ed., Lee, Y., Ed., Li, D., Imajuku, W., and J. Han, "General Network Element Constraint Encoding for GMPLS-Controlled Networks", RFC 7579, DOI 10.17487/RFC7579, June 2015, <<https://www.rfc-editor.org/info/rfc7579>>.
- [RFC7752] Gredler, H., Ed., Medved, J., Previdi, S., Farrel, A., and S. Ray, "North-Bound Distribution of Link-State and Traffic Engineering (TE) Information Using BGP", RFC 7752, DOI 10.17487/RFC7752, March 2016, <<https://www.rfc-editor.org/info/rfc7752>>.
- [RFC8340] Bjorklund, M. and L. Berger, Ed., "YANG Tree Diagrams", BCP 215, RFC 8340, DOI 10.17487/RFC8340, March 2018, <<https://www.rfc-editor.org/info/rfc8340>>.
-

-
- [RFC8639]** Voit, E., Clemm, A., Gonzalez Prieto, A., Nilsen-Nygaard, E., and A. Tripathy, "Subscription to YANG Notifications", RFC 8639, DOI 10.17487/RFC8639, September 2019, <<https://www.rfc-editor.org/info/rfc8639>>.
- [RFC8641]** Clemm, A. and E. Voit, "Subscription to YANG Notifications for Datastore Updates", RFC 8641, DOI 10.17487/RFC8641, September 2019, <<https://www.rfc-editor.org/info/rfc8641>>.
- [TEAS-TOPO]** Bryskin, I., Beeram, V., Saad, T., and X. Liu, "TE Topology and Tunnel Modeling for Transport Networks", Work in Progress, Internet-Draft, draft-ietf-teas-te-topo-and-tunnel-modeling-06, 12 July 2020, <<https://tools.ietf.org/html/draft-ietf-teas-te-topo-and-tunnel-modeling-06>>.
- [YANG-CFG-SCHED]** Liu, X., Bryskin, I., Beeram, V., Saad, T., Shah, H., and O. Gonzalez de Dios, "A YANG Data Model for Configuration Scheduling", Work in Progress, Internet-Draft, draft-liu-netmod-yang-schedule-05, 1 March 2018, <<https://tools.ietf.org/html/draft-liu-netmod-yang-schedule-05>>.
- [YANG-L3]** Liu, X., Bryskin, I., Beeram, V., Saad, T., Shah, H., and O. Gonzalez de Dios, "YANG Data Model for Layer 3 TE Topologies", Work in Progress, Internet-Draft, draft-ietf-teas-yang-l3-te-topo-08, 12 July 2020, <<https://tools.ietf.org/html/draft-ietf-teas-yang-l3-te-topo-08>>.
- [YANG-OTN]** Zheng, H., Busi, I., Liu, X., Belotti, S., and O. Gonzalez de Dios, "A YANG Data Model for Optical Transport Network Topology", Work in Progress, Internet-Draft, draft-ietf-ccamp-otn-topo-yang-10, 9 March 2020, <<https://tools.ietf.org/html/draft-ietf-ccamp-otn-topo-yang-10>>.
- [YANG-WSO]** Zheng, H., Lee, Y., Guo, A., Lopez, V., and D. King, "A YANG Data Model for WSON (Wavelength Switched Optical Networks)", Work in Progress, Internet-Draft, draft-ietf-ccamp-wson-yang-25, 19 May 2020, <<https://tools.ietf.org/html/draft-ietf-ccamp-wson-yang-25>>.

Appendix A. Complete Model Tree Structure

```

module: ietf-te-topology
augment /nw:networks/nw:network/nw:network-types:
  +--rw te-topology!
augment /nw:networks:
  +--rw te!
    +--rw templates
      +--rw node-template* [name] {template}?
        | +--rw name
        | | te-types:te-template-name
        | +--rw priority? uint16
        | +--rw reference-change-policy? enumeration
        | +--rw te-node-attributes
        | | +--rw admin-status? te-types:te-admin-status
        | | +--rw domain-id? uint32
        | | +--rw is-abstract? empty
        | | +--rw name? string
        | | +--rw signaling-address* inet:ip-address
        | | +--rw underlay-topology {te-topology-hierarchy}?
        | | | +--rw network-ref?
        | | | | -> /nw:networks/network/network-id
      +--rw link-template* [name] {template}?
        +--rw name
        | te-types:te-template-name
        +--rw priority? uint16
        +--rw reference-change-policy? enumeration
        +--rw te-link-attributes
          +--rw access-type?
          | te-types:te-link-access-type
          +--rw external-domain
          | +--rw network-ref?
          | | -> /nw:networks/network/network-id
          | +--rw remote-te-node-id? te-types:te-node-id
          | +--rw remote-te-link-tp-id? te-types:te-tp-id
          +--rw is-abstract? empty
          +--rw name? string
          +--rw underlay {te-topology-hierarchy}?
          | +--rw enabled? boolean
          | +--rw primary-path
          | | +--rw network-ref?
          | | | -> /nw:networks/network/network-id
          | | +--rw path-element* [path-element-id]
          | | | +--rw path-element-id uint32
          | | | +--rw (type)?
          | | | | +--:(numbered-node-hop)
          | | | | | +--rw numbered-node-hop
          | | | | | | +--rw node-id te-node-id
          | | | | | | +--rw hop-type? te-hop-type
          | | | | +--:(numbered-link-hop)
          | | | | | +--rw numbered-link-hop
          | | | | | | +--rw link-tp-id te-tp-id
          | | | | | | +--rw hop-type? te-hop-type
          | | | | | | +--rw direction?
          | | | | | | | te-link-direction
          | | | | +--:(unnumbered-link-hop)
          | | | | | +--rw unnumbered-link-hop
          | | | | | | +--rw link-tp-id te-tp-id
          | | | | | | +--rw node-id te-node-id

```

```

|         +---rw hop-type?      te-hop-type
|         +---rw direction?
|         |         te-link-direction
+---:(as-number)
|         +---rw as-number-hop
|         |         +---rw as-number      inet:as-number
|         |         +---rw hop-type?     te-hop-type
+---:(label)
|         +---rw label-hop
|         |         +---rw te-label
|         |         |         +---rw (technology)?
|         |         |         |         +---:(generic)
|         |         |         |         |         +---rw generic?
|         |         |         |         |         |         rt-
types:generalized-label
|         |         +---rw direction?
|         |         |         te-label-direction
+---rw backup-path* [index]
|         +---rw index          uint32
|         +---rw network-ref?
|         |         -> /nw:networks/network/network-id
+---rw path-element* [path-element-id]
|         +---rw path-element-id      uint32
|         +---rw (type)?
+---:(numbered-node-hop)
|         +---rw numbered-node-hop
|         |         +---rw node-id      te-node-id
|         |         +---rw hop-type?   te-hop-type
+---:(numbered-link-hop)
|         +---rw numbered-link-hop
|         |         +---rw link-tp-id   te-tp-id
|         |         +---rw hop-type?   te-hop-type
|         |         +---rw direction?
|         |         |         te-link-direction
+---:(unnumbered-link-hop)
|         +---rw unnumbered-link-hop
|         |         +---rw link-tp-id   te-tp-id
|         |         +---rw node-id      te-node-id
|         |         +---rw hop-type?   te-hop-type
|         |         +---rw direction?
|         |         |         te-link-direction
+---:(as-number)
|         +---rw as-number-hop
|         |         +---rw as-number      inet:as-number
|         |         +---rw hop-type?     te-hop-type
+---:(label)
|         +---rw label-hop
|         |         +---rw te-label
|         |         |         +---rw (technology)?
|         |         |         |         +---:(generic)
|         |         |         |         |         +---rw generic?
|         |         |         |         |         |         rt-
types:generalized-label
|         |         +---rw direction?
|         |         |         te-label-direction
+---rw protection-type?          identityref
+---rw tunnel-termination-points
|         +---rw source?         binary

```



```

| | +--rw destination?  binary
| +--rw tunnels
|   +--rw sharing?  boolean
|   +--rw tunnel* [tunnel-name]
|     +--rw tunnel-name  string
|     +--rw sharing?    boolean
+--rw admin-status?
|   te-types:te-admin-status
+--rw link-index?                               uint64
+--rw administrative-group?
|   te-types:admin-groups
+--rw interface-switching-capability*
|   [switching-capability encoding]
|   +--rw switching-capability  identityref
|   +--rw encoding              identityref
|   +--rw max-lsp-bandwidth* [priority]
|     +--rw priority            uint8
|     +--rw te-bandwidth
|       +--rw (technology)?
|       +--:(generic)
|       +--rw generic?  te-bandwidth
+--rw label-restrictions
|   +--rw label-restriction* [index]
|     +--rw restriction?  enumeration
|     +--rw index        uint32
|     +--rw label-start
|       +--rw te-label
|         +--rw (technology)?
|         | +--:(generic)
|         | +--rw generic?
|         |   rt-types:generalized-label
|         +--rw direction?  te-label-direction
+--rw label-end
|   +--rw te-label
|     +--rw (technology)?
|     | +--:(generic)
|     | +--rw generic?
|     |   rt-types:generalized-label
|     +--rw direction?  te-label-direction
+--rw label-step
|   +--rw (technology)?
|   +--:(generic)
|   +--rw generic?  int32
+--rw range-bitmap?  yang:hex-string
+--rw link-protection-type?  identityref
+--rw max-link-bandwidth
|   +--rw te-bandwidth
|   +--rw (technology)?
|   +--:(generic)
|   +--rw generic?  te-bandwidth
+--rw max-resv-link-bandwidth
|   +--rw te-bandwidth
|   +--rw (technology)?
|   +--:(generic)
|   +--rw generic?  te-bandwidth
+--rw unreserved-bandwidth* [priority]
|   +--rw priority  uint8
|   +--rw te-bandwidth

```

```

        |      +--rw (technology)?
        |      +---:(generic)
        |      +--rw generic?      te-bandwidth
+--rw te-default-metric?           uint32
+--rw te-delay-metric?            uint32
+--rw te-igp-metric?              uint32
+--rw te-srlgs
  | +--rw value*      te-types:srlg
+--rw te-nsrlgs {nsrlg}?
  +--rw id*          uint32
augment /nw:networks/nw:network:
+--rw te-topology-identifier
  | +--rw provider-id?   te-global-id
  | +--rw client-id?    te-global-id
  | +--rw topology-id?  te-topology-id
+--rw te!
  +--rw name?           string
  +--rw preference?     uint8
  +--rw optimization-criterion? identityref
  +--rw nsrlg* [id] {nsrlg}?
  | +--rw id            uint32
  | +--rw disjointness? te-types:te-path-disjointness
+--ro geolocation
  +--ro altitude?       int64
  +--ro latitude?       geographic-coordinate-degree
  +--ro longitude?      geographic-coordinate-degree
augment /nw:networks/nw:network/nw:node:
+--rw te-node-id?      te-types:te-node-id
+--rw te!
  +--rw te-node-template*
  |   -> ../../../../te/templates/node-template/name
  |   {template}?
+--rw te-node-attributes
  | +--rw admin-status?   te-types:te-admin-status
  | +--rw connectivity-matrices
  | | +--rw number-of-entries?  uint16
  | | +--rw label-restrictions
  | | | +--rw label-restriction* [index]
  | | | +--rw restriction?      enumeration
  | | | +--rw index            uint32
  | | | +--rw label-start
  | | | | +--rw te-label
  | | | | | +--rw (technology)?
  | | | | | +---:(generic)
  | | | | | +--rw generic?
  | | | | | | rt-types:generalized-label
  | | | | | +--rw direction?    te-label-direction
  | | | +--rw label-end
  | | | | +--rw te-label
  | | | | | +--rw (technology)?
  | | | | | +---:(generic)
  | | | | | +--rw generic?
  | | | | | | rt-types:generalized-label
  | | | | | +--rw direction?    te-label-direction
  | | | +--rw label-step
  | | | | +--rw (technology)?
  | | | | +---:(generic)
  | | | | +--rw generic?      int32

```

```

|      +--rw range-bitmap?  yang:hex-string
+--rw is-allowed?           boolean
+--rw underlay {te-topology-hierarchy}?
|   +--rw enabled?         boolean
|   +--rw primary-path
|   |   +--rw network-ref?
|   |   |   -> /nw:networks/network/network-id
+--rw path-element* [path-element-id]
|   +--rw path-element-id  uint32
|   +--rw (type)?
|   |   +--:(numbered-node-hop)
|   |   |   +--rw numbered-node-hop
|   |   |   |   +--rw node-id      te-node-id
|   |   |   |   +--rw hop-type?   te-hop-type
|   |   |   +--:(numbered-link-hop)
|   |   |   |   +--rw numbered-link-hop
|   |   |   |   |   +--rw link-tp-id  te-tp-id
|   |   |   |   |   +--rw hop-type?   te-hop-type
|   |   |   |   |   +--rw direction?  te-link-direction
|   |   |   +--:(unnumbered-link-hop)
|   |   |   |   +--rw unnumbered-link-hop
|   |   |   |   |   +--rw link-tp-id  te-tp-id
|   |   |   |   |   +--rw node-id      te-node-id
|   |   |   |   |   +--rw hop-type?   te-hop-type
|   |   |   |   |   +--rw direction?  te-link-direction
|   |   |   +--:(as-number)
|   |   |   |   +--rw as-number-hop
|   |   |   |   |   +--rw as-number  inet:as-number
|   |   |   |   |   +--rw hop-type?  te-hop-type
|   |   |   +--:(label)
|   |   |   |   +--rw label-hop
|   |   |   |   |   +--rw te-label
|   |   |   |   |   |   +--rw (technology)?
|   |   |   |   |   |   |   +--:(generic)
|   |   |   |   |   |   |   |   +--rw generic?
|   |   |   |   |   |   |   |   rt-types:generalized-
|   |   |   |   |   |   |   |   +--rw direction?
|   |   |   |   |   |   |   |   |   te-label-direction
+--rw backup-path* [index]
|   +--rw index            uint32
|   +--rw network-ref?
|   |   -> /nw:networks/network/network-id
+--rw path-element* [path-element-id]
|   +--rw path-element-id  uint32
|   +--rw (type)?
|   |   +--:(numbered-node-hop)
|   |   |   +--rw numbered-node-hop
|   |   |   |   +--rw node-id      te-node-id
|   |   |   |   +--rw hop-type?   te-hop-type
|   |   |   +--:(numbered-link-hop)
|   |   |   |   +--rw numbered-link-hop
|   |   |   |   |   +--rw link-tp-id  te-tp-id
|   |   |   |   |   +--rw hop-type?   te-hop-type
|   |   |   |   |   +--rw direction?  te-link-direction
|   |   |   +--:(unnumbered-link-hop)
|   |   |   |   +--rw unnumbered-link-hop
|   |   |   |   |   +--rw link-tp-id  te-tp-id

```

label

					+--rw node-id	te-node-id
					+--rw hop-type?	te-hop-type
					+--rw direction?	te-link-direction
				+--:(as-number)		
					+--rw as-number-hop	
					+--rw as-number	inet:as-number
					+--rw hop-type?	te-hop-type
				+--:(label)		
					+--rw label-hop	
					+--rw te-label	
					+--rw (technology)?	
					+--:(generic)	
					+--rw generic?	
						rt-types:generalized-
label					+--rw direction?	
						te-label-direction
				+--rw protection-type?		identityref
				+--rw tunnel-termination-points		
					+--rw source?	binary
					+--rw destination?	binary
				+--rw tunnels		
					+--rw sharing?	boolean
					+--rw tunnel* [tunnel-name]	
					+--rw tunnel-name	string
					+--rw sharing?	boolean
				+--rw path-constraints		
					+--rw te-bandwidth	
					+--rw (technology)?	
					+--:(generic)	
					+--rw generic?	te-bandwidth
				+--rw link-protection?		identityref
				+--rw setup-priority?		uint8
				+--rw hold-priority?		uint8
				+--rw signaling-type?		identityref
				+--rw path-metric-bounds		
					+--rw path-metric-bound* [metric-type]	
					+--rw metric-type	identityref
					+--rw upper-bound?	uint64
				+--rw path-affinities-values		
					+--rw path-affinities-value* [usage]	
					+--rw usage	identityref
					+--rw value?	admin-groups
				+--rw path-affinity-names		
					+--rw path-affinity-name* [usage]	
					+--rw usage	identityref
					+--rw affinity-name* [name]	
					+--rw name	string
				+--rw path-srlgs-lists		
					+--rw path-srlgs-list* [usage]	
					+--rw usage	identityref
					+--rw values*	srlg
				+--rw path-srlgs-names		
					+--rw path-srlgs-name* [usage]	
					+--rw usage	identityref
					+--rw names*	string
				+--rw disjointness?		te-path-disjointness
				+--rw optimizations		

```

+--rw (algorithm)?
+--:(metric) {path-optimization-metric}?
|
+--rw optimization-metric* [metric-type]
|
+--rw metric-type
|   identityref
+--rw weight?
|   uint8
+--rw explicit-route-exclude-objects
|   +--rw route-object-exclude-object*
|       [index]
|       +--rw index
|           |   uint32
+--rw (type)?
+--:(numbered-node-hop)
|   +--rw numbered-node-hop
|       +--rw node-id       te-node-id
|       +--rw hop-type?    te-hop-type
+--:(numbered-link-hop)
|   +--rw numbered-link-hop
|       +--rw link-tp-id    te-tp-id
|       +--rw hop-type?
|           |   te-hop-type
|       +--rw direction?
|           te-link-direction
+--:(unnumbered-link-hop)
|   +--rw unnumbered-link-hop
|       +--rw link-tp-id    te-tp-id
|       +--rw node-id
|           |   te-node-id
|       +--rw hop-type?
|           |   te-hop-type
|       +--rw direction?
|           te-link-direction
+--:(as-number)
|   +--rw as-number-hop
|       +--rw as-number
|           |   inet:as-number
|       +--rw hop-type?
|           te-hop-type
+--:(label)
|   +--rw label-hop
|       +--rw te-label
|           +--rw (technology)?
|               |   +--:(generic)
|               |   +--rw generic?
|               |       rt-
|           +--rw direction?
|               te-label-direction
+--:(srlg)
|   +--rw srlg
|       +--rw srlg?    uint32
+--rw explicit-route-include-objects
+--rw route-object-include-object*
|   [index]
|   +--rw index
|       |   uint32
+--rw (type)?

```

types:generalized-label

			<pre> +--ro usage identityref +--ro values* srlg +--ro path-srlgs-names +--ro path-srlgs-name* [usage] +--ro usage identityref +--ro names* string +--ro path-route-objects +--ro path-route-object* [index] +--ro index uint32 +--ro (type)? +--:(numbered-node-hop) +--ro numbered-node-hop +--ro node-id te-node-id +--ro hop-type? te-hop-type +--:(numbered-link-hop) +--ro numbered-link-hop +--ro link-tp-id te-tp-id +--ro hop-type? te-hop-type +--ro direction? te-link-direction +--:(unnumbered-link-hop) +--ro unnumbered-link-hop +--ro link-tp-id te-tp-id +--ro node-id te-node-id +--ro hop-type? te-hop-type +--ro direction? te-link-direction +--:(as-number) +--ro as-number-hop +--ro as-number inet:as-number +--ro hop-type? te-hop-type +--:(label) +--ro label-hop +--ro te-label +--ro (technology)? +--:(generic) +--ro generic? rt-types:generalized- +--ro direction? te-label-direction +--rw connectivity-matrix* [id] +--rw id uint32 +--rw from +--rw tp-ref? leafref +--rw label-restrictions +--rw label-restriction* [index] +--rw restriction? enumeration +--rw index uint32 +--rw label-start +--rw te-label +--rw (technology)? +--:(generic) +--rw generic? rt-types:generalized- +--rw direction? te-label-direction +--rw label-end +--rw te-label </pre>
label			
label			

label				<pre> +--rw (technology)? +--:(generic) +--rw generic? rt-types:generalized- </pre>
				<pre> +--rw direction? te-label-direction +--rw label-step +--rw (technology)? +--:(generic) +--rw generic? int32 +--rw range-bitmap? yang:hex-string +--rw to +--rw tp-ref? leafref +--rw label-restrictions +--rw label-restriction* [index] +--rw restriction? enumeration +--rw index uint32 +--rw label-start +--rw te-label +--rw (technology)? +--:(generic) +--rw generic? rt-types:generalized- </pre>
label				<pre> +--rw direction? te-label-direction +--rw label-end +--rw te-label +--rw (technology)? +--:(generic) +--rw generic? rt-types:generalized- </pre>
label				<pre> +--rw direction? te-label-direction +--rw label-step +--rw (technology)? +--:(generic) +--rw generic? int32 +--rw range-bitmap? yang:hex-string +--rw is-allowed? boolean +--rw underlay {te-topology-hierarchy}? +--rw enabled? boolean +--rw primary-path +--rw network-ref? -> /nw:networks/network/network-id +--rw path-element* [path-element-id] +--rw path-element-id uint32 +--rw (type)? +--:(numbered-node-hop) +--rw numbered-node-hop +--rw node-id te-node-id +--rw hop-type? te-hop-type +--:(numbered-link-hop) +--rw numbered-link-hop +--rw link-tp-id te-tp-id +--rw hop-type? te-hop-type </pre>


```

|         +---rw direction?
|         |         te-link-direction
+---:(unnumbered-link-hop)
|   +---rw unnumbered-link-hop
|         +---rw link-tp-id      te-tp-id
|         +---rw node-id        te-node-id
|         +---rw hop-type?      te-hop-type
|         +---rw direction?
|         |         te-link-direction
+---:(as-number)
|   +---rw as-number-hop
|         +---rw as-number      inet:as-number
|         +---rw hop-type?      te-hop-type
+---:(label)
|   +---rw label-hop
|         +---rw te-label
|         |         +---rw (technology)?
|         |         |         +---:(generic)
|         |         |         +---rw generic?
|         |         |         rt-
types:generalized-label
|         +---rw direction?
|         |         te-label-direction
+---rw backup-path* [index]
|   +---rw index                uint32
+---rw network-ref?
|   -> /nw:networks/network/network-id
+---rw path-element* [path-element-id]
|   +---rw path-element-id      uint32
+---rw (type)?
+---:(numbered-node-hop)
|   +---rw numbered-node-hop
|         +---rw node-id        te-node-id
|         +---rw hop-type?      te-hop-type
+---:(numbered-link-hop)
|   +---rw numbered-link-hop
|         +---rw link-tp-id      te-tp-id
|         +---rw hop-type?      te-hop-type
|         +---rw direction?
|         |         te-link-direction
+---:(unnumbered-link-hop)
|   +---rw unnumbered-link-hop
|         +---rw link-tp-id      te-tp-id
|         +---rw node-id        te-node-id
|         +---rw hop-type?      te-hop-type
|         +---rw direction?
|         |         te-link-direction
+---:(as-number)
|   +---rw as-number-hop
|         +---rw as-number      inet:as-number
|         +---rw hop-type?      te-hop-type
+---:(label)
|   +---rw label-hop
|         +---rw te-label
|         |         +---rw (technology)?
|         |         |         +---:(generic)
|         |         |         +---rw generic?
|         |         |         rt-

```

```

types:generalized-label
|
|           +---rw direction?
|           |           te-label-direction
+---rw protection-type?           identityref
+---rw tunnel-termination-points
|   +---rw source?           binary
|   +---rw destination?     binary
+---rw tunnels
|   +---rw sharing?         boolean
|   +---rw tunnel* [tunnel-name]
|       +---rw tunnel-name     string
|       +---rw sharing?         boolean
+---rw path-constraints
+---rw te-bandwidth
|   +---rw (technology)?
|   +---:(generic)
|       +---rw generic?       te-bandwidth
+---rw link-protection?           identityref
+---rw setup-priority?            uint8
+---rw hold-priority?            uint8
+---rw signaling-type?           identityref
+---rw path-metric-bounds
|   +---rw path-metric-bound* [metric-type]
|   +---rw metric-type         identityref
|   +---rw upper-bound?        uint64
+---rw path-affinities-values
|   +---rw path-affinities-value* [usage]
|   +---rw usage                identityref
|   +---rw value?               admin-groups
+---rw path-affinity-names
|   +---rw path-affinity-name* [usage]
|   +---rw usage                identityref
|   +---rw affinity-name* [name]
|   +---rw name                 string
+---rw path-srlgs-lists
|   +---rw path-srlgs-list* [usage]
|   +---rw usage                identityref
|   +---rw values*             srlg
+---rw path-srlgs-names
|   +---rw path-srlgs-name* [usage]
|   +---rw usage                identityref
|   +---rw names*              string
+---rw disjointness?
|   te-path-disjointness
+---rw optimizations
+---rw (algorithm)?
+---:(metric) {path-optimization-metric}?
|   +---rw optimization-metric* [metric-type]
|   |   +---rw metric-type
|   |   |   identityref
|   |   +---rw weight?
|   |   |   uint8
|   |   +---rw explicit-route-exclude-objects
|   |   |   +---rw route-object-exclude-object*
|   |   |   |   [index]
|   |   |   +---rw index
|   |   |   |   uint32
|   |   +---rw (type)?

```

```

+---:(numbered-node-hop)
|   +---rw numbered-node-hop
|       +---rw node-id
|           |
|           |   te-node-id
|           +---rw hop-type?
|               |
|               |   te-hop-type
+---:(numbered-link-hop)
|   +---rw numbered-link-hop
|       +---rw link-tp-id
|           |
|           |   te-tp-id
|       +---rw hop-type?
|           |
|           |   te-hop-type
|       +---rw direction?
|           |
|           |   te-link-direction
+---:(unnumbered-link-hop)
|   +---rw unnumbered-link-hop
|       +---rw link-tp-id
|           |
|           |   te-tp-id
|       +---rw node-id
|           |
|           |   te-node-id
|       +---rw hop-type?
|           |
|           |   te-hop-type
|       +---rw direction?
|           |
|           |   te-link-direction
+---:(as-number)
|   +---rw as-number-hop
|       +---rw as-number
|           |
|           |   inet:as-number
|       +---rw hop-type?
|           |
|           |   te-hop-type
+---:(label)
|   +---rw label-hop
|       +---rw te-label
|           +---rw (technology)?
|               |
|               |   +---:(generic)
|               +---rw generic?
|                   |
|                   |   rt-
|                   +---rw direction?
|                       |
|                       |   te-label-
|
|   +---:(srlg)
|       +---rw srlg
|           +---rw srlg?   uint32
+---rw explicit-route-include-objects
+---rw route-object-include-object*
    [index]
+---rw index
|   |
|   |   uint32
+---rw (type)?
+---:(numbered-node-hop)
|   +---rw numbered-node-hop
|       +---rw node-id
|           |
|           |   te-node-id
|       +---rw hop-type?
|           |
|           |   te-hop-type
+---:(numbered-link-hop)
|   +---rw numbered-link-hop

```

types:generalized-label

direction

```

+--rw link-tp-id
|   te-tp-id
+--rw hop-type?
|   te-hop-type
+--rw direction?
|   te-link-direction
+--:(unnumbered-link-hop)
|   +--rw unnumbered-link-hop
|       +--rw link-tp-id
|           |   te-tp-id
|       +--rw node-id
|           |   te-node-id
|       +--rw hop-type?
|           |   te-hop-type
|       +--rw direction?
|           |   te-link-direction
+--:(as-number)
|   +--rw as-number-hop
|       +--rw as-number
|           |   inet:as-number
|       +--rw hop-type?
|           |   te-hop-type
+--:(label)
|   +--rw label-hop
|       +--rw te-label
|           +--rw (technology)?
|               |   +--:(generic)
|               |       +--rw generic?
|               |           rt-
|               |           +--rw direction?
|               |               te-label-
types:generalized-label
direction
function}?
+--rw tiebreakers
|   +--rw tiebreaker* [tiebreaker-type]
|       +--rw tiebreaker-type   identityref
+--:(objective-function)
|   {path-optimization-objective-
|       +--rw objective-function
|           +--rw objective-function-type?
|               identityref
+--ro path-properties
+--ro path-metric* [metric-type]
|   +--ro metric-type   identityref
|   +--ro accumulative-value?  uint64
+--ro path-affinities-values
|   +--ro path-affinities-value* [usage]
|       +--ro usage   identityref
|       +--ro value?  admin-groups
+--ro path-affinity-names
|   +--ro path-affinity-name* [usage]
|       +--ro usage   identityref
|       +--ro affinity-name* [name]
|           +--ro name   string
+--ro path-srlgs-lists
|   +--ro path-srlgs-list* [usage]
|       +--ro usage   identityref

```

```

|         +--ro values*   srlg
+--ro path-srlgs-names
|   +--ro path-srlgs-name* [usage]
|   +--ro usage           identityref
|   +--ro names*         string
+--ro path-route-objects
  +--ro path-route-object* [index]
  +--ro index              uint32
  +--ro (type)?
  +--:(numbered-node-hop)
  |   +--ro numbered-node-hop
  |   |   +--ro node-id       te-node-id
  |   |   +--ro hop-type?    te-hop-type
  +--:(numbered-link-hop)
  |   +--ro numbered-link-hop
  |   |   +--ro link-tp-id    te-tp-id
  |   |   +--ro hop-type?    te-hop-type
  |   |   +--ro direction?
  |   |   |               te-link-direction
  +--:(unnumbered-link-hop)
  |   +--ro unnumbered-link-hop
  |   |   +--ro link-tp-id    te-tp-id
  |   |   +--ro node-id      te-node-id
  |   |   +--ro hop-type?    te-hop-type
  |   |   +--ro direction?
  |   |   |               te-link-direction
  +--:(as-number)
  |   +--ro as-number-hop
  |   |   +--ro as-number     inet:as-number
  |   |   +--ro hop-type?    te-hop-type
  +--:(label)
  |   +--ro label-hop
  |   |   +--ro te-label
  |   |   |   +--ro (technology)?
  |   |   |   |   +--:(generic)
  |   |   |   |   +--ro generic?
  |   |   |   |   |               rt-
  |   |   +--ro direction?
  |   |   |               te-label-direction
types:generalized-label
|   +--rw domain-id?       uint32
|   +--rw is-abstract?     empty
|   +--rw name?            string
|   +--rw signaling-address* inet:ip-address
|   +--rw underlay-topology {te-topology-hierarchy}?
|   |   +--rw network-ref? -> /nw:networks/network/network-id
+--ro oper-status?        te-types:te-oper-status
+--ro geolocation
|   +--ro altitude?        int64
|   +--ro latitude?        geographic-coordinate-degree
|   +--ro longitude?       geographic-coordinate-degree
+--ro is-multi-access-dr? empty
+--ro information-source? te-info-source
+--ro information-source-instance? string
+--ro information-source-state
|   +--ro credibility-preference? uint16
|   +--ro logical-network-element? string
|   +--ro network-instance? string

```

```

| +--ro topology
| | +--ro node-ref?      leafref
| | +--ro network-ref?  -> /nw:networks/network/network-id
+--ro information-source-entry*
| [information-source information-source-instance]
| +--ro information-source      te-info-source
| +--ro information-source-instance  string
| +--ro information-source-state
| | +--ro credibility-preference?  uint16
| | +--ro logical-network-element?  string
| | +--ro network-instance?        string
| +--ro topology
| | +--ro node-ref?      leafref
| | +--ro network-ref?  -> /nw:networks/network/network-id
+--ro connectivity-matrices
| +--ro number-of-entries?  uint16
+--ro label-restrictions
| +--ro label-restriction* [index]
| | +--ro restriction?  enumeration
| | +--ro index        uint32
| | +--ro label-start
| | | +--ro te-label
| | | | +--ro (technology)?
| | | | | +--:(generic)
| | | | | +--ro generic?
| | | | | | rt-types:generalized-label
| | | | +--ro direction?  te-label-direction
| | +--ro label-end
| | | +--ro te-label
| | | | +--ro (technology)?
| | | | | +--:(generic)
| | | | | +--ro generic?
| | | | | | rt-types:generalized-label
| | | | +--ro direction?  te-label-direction
| | +--ro label-step
| | | +--ro (technology)?
| | | | +--:(generic)
| | | | | +--ro generic?  int32
| | +--ro range-bitmap?  yang:hex-string
+--ro is-allowed?        boolean
+--ro underlay {te-topology-hierarchy}?
| +--ro enabled?        boolean
+--ro primary-path
| +--ro network-ref?
| | -> /nw:networks/network/network-id
+--ro path-element* [path-element-id]
| +--ro path-element-id  uint32
| +--ro (type)?
| | +--:(numbered-node-hop)
| | | +--ro numbered-node-hop
| | | | +--ro node-id      te-node-id
| | | | +--ro hop-type?   te-hop-type
| | +--:(numbered-link-hop)
| | | +--ro numbered-link-hop
| | | | +--ro link-tp-id  te-tp-id
| | | | +--ro hop-type?   te-hop-type
| | | +--ro direction?  te-link-direction

```

		<pre> +---:(unnumbered-link-hop) +---ro unnumbered-link-hop +---ro link-tp-id te-tp-id +---ro node-id te-node-id +---ro hop-type? te-hop-type +---ro direction? te-link-direction +---:(as-number) +---ro as-number-hop +---ro as-number inet:as-number +---ro hop-type? te-hop-type +---:(label) +---ro label-hop +---ro te-label +---ro (technology)? +---:(generic) +---ro generic? rt-types:generalized- </pre>
label		<pre> +---ro direction? te-label-direction +---ro backup-path* [index] +---ro index uint32 +---ro network-ref? -> /nw:networks/network/network-id +---ro path-element* [path-element-id] +---ro path-element-id uint32 +---ro (type)? +---:(numbered-node-hop) +---ro numbered-node-hop +---ro node-id te-node-id +---ro hop-type? te-hop-type +---:(numbered-link-hop) +---ro numbered-link-hop +---ro link-tp-id te-tp-id +---ro hop-type? te-hop-type +---ro direction? te-link-direction +---:(unnumbered-link-hop) +---ro unnumbered-link-hop +---ro link-tp-id te-tp-id +---ro node-id te-node-id +---ro hop-type? te-hop-type +---ro direction? te-link-direction +---:(as-number) +---ro as-number-hop +---ro as-number inet:as-number +---ro hop-type? te-hop-type +---:(label) +---ro label-hop +---ro te-label +---ro (technology)? +---:(generic) +---ro generic? rt-types:generalized- </pre>
label		<pre> +---ro direction? te-label-direction +---ro protection-type? identityref +---ro tunnel-termination-points </pre>

```

| +--ro source?      binary
| +--ro destination? binary
+--ro tunnels
  +--ro sharing?    boolean
  +--ro tunnel* [tunnel-name]
    +--ro tunnel-name string
    +--ro sharing?    boolean
+--ro path-constraints
+--ro te-bandwidth
| +--ro (technology)?
|   +--:(generic)
|     +--ro generic?  te-bandwidth
+--ro link-protection? identityref
+--ro setup-priority?  uint8
+--ro hold-priority?   uint8
+--ro signaling-type?  identityref
+--ro path-metric-bounds
| +--ro path-metric-bound* [metric-type]
|   +--ro metric-type  identityref
|   +--ro upper-bound? uint64
+--ro path-affinities-values
| +--ro path-affinities-value* [usage]
|   +--ro usage  identityref
|   +--ro value? admin-groups
+--ro path-affinity-names
| +--ro path-affinity-name* [usage]
|   +--ro usage  identityref
|   +--ro affinity-name* [name]
|     +--ro name  string
+--ro path-srlgs-lists
| +--ro path-srlgs-list* [usage]
|   +--ro usage  identityref
|   +--ro values* srlg
+--ro path-srlgs-names
| +--ro path-srlgs-name* [usage]
|   +--ro usage  identityref
|   +--ro names*  string
+--ro disjointness?      te-path-disjointness
+--ro optimizations
  +--ro (algorithm)?
    +--:(metric) {path-optimization-metric}?
      +--ro optimization-metric* [metric-type]
        +--ro metric-type
          | identityref
          +--ro weight?
            | uint8
            +--ro explicit-route-exclude-objects
              +--ro route-object-exclude-object*
                [index]
                +--ro index
                  | uint32
                  +--ro (type)?
                    +--:(numbered-node-hop)
                    | +--ro numbered-node-hop
                    |   +--ro node-id  te-node-id
                    |   +--ro hop-type? te-hop-type
                    +--:(numbered-link-hop)
                    | +--ro numbered-link-hop

```



```

+---ro link-tp-id    te-tp-id
+---ro hop-type?
|   te-hop-type
+---ro direction?
|   te-link-direction
+---:(unnumbered-link-hop)
+---ro unnumbered-link-hop
+---ro link-tp-id    te-tp-id
+---ro node-id
|   te-node-id
+---ro hop-type?
|   te-hop-type
+---ro direction?
|   te-link-direction
+---:(as-number)
+---ro as-number-hop
+---ro as-number
|   inet:as-number
+---ro hop-type?
|   te-hop-type
+---:(label)
+---ro label-hop
+---ro te-label
|   +---ro (technology)?
|   |   +---:(generic)
|   |   +---ro generic?
|   |   rt-
|   +---ro direction?
|   |   te-label-direction
+---:(srlg)
+---ro srlg
+---ro srlg?    uint32
+---ro explicit-route-include-objects
+---ro route-object-include-object*
|   [index]
+---ro index
|   uint32
+---ro (type)?
+---:(numbered-node-hop)
|   +---ro numbered-node-hop
|   |   +---ro node-id    te-node-id
|   |   +---ro hop-type?  te-hop-type
+---:(numbered-link-hop)
|   +---ro numbered-link-hop
|   |   +---ro link-tp-id    te-tp-id
|   |   +---ro hop-type?
|   |   |   te-hop-type
|   |   +---ro direction?
|   |   |   te-link-direction
+---:(unnumbered-link-hop)
+---ro unnumbered-link-hop
+---ro link-tp-id    te-tp-id
+---ro node-id
|   te-node-id
+---ro hop-type?
|   te-hop-type
+---ro direction?

```

types:generalized-label

			<pre> +--:(unnumbered-link-hop) +--ro unnumbered-link-hop +--ro link-tp-id te-tp-id +--ro node-id te-node-id +--ro hop-type? te-hop-type +--ro direction? te-link-direction +--:(as-number) +--ro as-number-hop +--ro as-number inet:as-number +--ro hop-type? te-hop-type +--:(label) +--ro label-hop +--ro te-label +--ro (technology)? +--:(generic) +--ro generic? rt-types:generalized- </pre>
label			<pre> +--ro direction? te-label-direction +--ro connectivity-matrix* [id] +--ro id uint32 +--ro from +--ro tp-ref? leafref +--ro label-restrictions +--ro label-restriction* [index] +--ro restriction? enumeration +--ro index uint32 +--ro label-start +--ro te-label +--ro (technology)? +--:(generic) +--ro generic? rt-types:generalized- </pre>
label			<pre> +--ro direction? te-label-direction +--ro label-end +--ro te-label +--ro (technology)? +--:(generic) +--ro generic? rt-types:generalized- </pre>
label			<pre> +--ro direction? te-label-direction +--ro label-step +--ro (technology)? +--:(generic) +--ro generic? int32 +--ro range-bitmap? yang:hex-string +--ro to +--ro tp-ref? leafref +--ro label-restrictions +--ro label-restriction* [index] +--ro restriction? enumeration +--ro index uint32 +--ro label-start </pre>

label			<pre> +--ro te-label +--ro (technology)? +--:(generic) +--ro generic? rt-types:generalized- </pre>
label			<pre> +--ro direction? te-label-direction +--ro label-end +--ro te-label +--ro (technology)? +--:(generic) +--ro generic? rt-types:generalized- </pre>
			<pre> +--ro direction? te-label-direction +--ro label-step +--ro (technology)? +--:(generic) +--ro generic? int32 +--ro range-bitmap? yang:hex-string +--ro is-allowed? boolean +--ro underlay {te-topology-hierarchy}? +--ro enabled? boolean +--ro primary-path +--ro network-ref? -> /nw:networks/network/network-id +--ro path-element* [path-element-id] +--ro path-element-id uint32 +--ro (type)? +--:(numbered-node-hop) +--ro numbered-node-hop +--ro node-id te-node-id +--ro hop-type? te-hop-type +--:(numbered-link-hop) +--ro numbered-link-hop +--ro link-tp-id te-tp-id +--ro hop-type? te-hop-type +--ro direction? te-link-direction +--:(unnumbered-link-hop) +--ro unnumbered-link-hop +--ro link-tp-id te-tp-id +--ro node-id te-node-id +--ro hop-type? te-hop-type +--ro direction? te-link-direction +--:(as-number) +--ro as-number-hop +--ro as-number inet:as-number +--ro hop-type? te-hop-type +--:(label) +--ro label-hop +--ro te-label +--ro (technology)? +--:(generic) +--ro generic? </pre>

```

types:generalized-label
    +---ro direction?
        |
        | te-label-direction
        +---ro backup-path* [index]
            |
            | +---ro index          uint32
            +---ro network-ref?
            |
            | -> /nw:networks/network/network-id
            +---ro path-element* [path-element-id]
                +---ro path-element-id          uint32
                +---ro (type)?
                |
                | +---:(numbered-node-hop)
                | |
                | | +---ro numbered-node-hop
                | | |
                | | | +---ro node-id      te-node-id
                | | | +---ro hop-type?    te-hop-type
                | +---:(numbered-link-hop)
                | |
                | | +---ro numbered-link-hop
                | | |
                | | | +---ro link-tp-id    te-tp-id
                | | | +---ro hop-type?    te-hop-type
                | | | +---ro direction?
                | | |         |
                | | |         | te-link-direction
                | +---:(unnumbered-link-hop)
                | |
                | | +---ro unnumbered-link-hop
                | | |
                | | | +---ro link-tp-id    te-tp-id
                | | | +---ro node-id      te-node-id
                | | | +---ro hop-type?    te-hop-type
                | | | +---ro direction?
                | | |         |
                | | |         | te-link-direction
                | +---:(as-number)
                | |
                | | +---ro as-number-hop
                | | |
                | | | +---ro as-number      inet:as-number
                | | | +---ro hop-type?    te-hop-type
                +---:(label)
                |
                | +---ro label-hop
                | |
                | | +---ro te-label
                | | |
                | | | +---ro (technology)?
                | | | |
                | | | | +---:(generic)
                | | | | |
                | | | | | +---ro generic?
                | | | | |         |
                | | | | |         | rt-
types:generalized-label
    +---ro direction?
        |
        | te-label-direction
        +---ro protection-type?          identityref
    +---ro tunnel-termination-points
        |
        | +---ro source?          binary
        | +---ro destination?    binary
    +---ro tunnels
        |
        | +---ro sharing?    boolean
        | +---ro tunnel* [tunnel-name]
        | |
        | | +---ro tunnel-name    string
        | | +---ro sharing?      boolean
    +---ro path-constraints
        |
        | +---ro te-bandwidth
        | |
        | | +---ro (technology)?
        | | |
        | | | +---:(generic)
        | | | |
        | | | | +---ro generic?    te-bandwidth
    +---ro link-protection?          identityref
    +---ro setup-priority?          uint8

```

```

+--ro hold-priority?          uint8
+--ro signaling-type?        identityref
+--ro path-metric-bounds
| +--ro path-metric-bound* [metric-type]
|   +--ro metric-type      identityref
|   +--ro upper-bound?    uint64
+--ro path-affinities-values
| +--ro path-affinities-value* [usage]
|   +--ro usage            identityref
|   +--ro value?          admin-groups
+--ro path-affinity-names
| +--ro path-affinity-name* [usage]
|   +--ro usage            identityref
|   +--ro affinity-name* [name]
|     +--ro name           string
+--ro path-srlgs-lists
| +--ro path-srlgs-list* [usage]
|   +--ro usage            identityref
|   +--ro values*         srlg
+--ro path-srlgs-names
| +--ro path-srlgs-name* [usage]
|   +--ro usage            identityref
|   +--ro names*          string
+--ro disjointness?
|   te-path-disjointness
+--ro optimizations
+--ro (algorithm)?
+--:(metric) {path-optimization-metric}?
| +--ro optimization-metric* [metric-type]
|   +--ro metric-type
|     | identityref
|     +--ro weight?
|       | uint8
|       +--ro explicit-route-exclude-objects
|         +--ro route-object-exclude-object*
|           [index]
|             +--ro index
|               | uint32
|               +--ro (type)?
|                 +--:(numbered-node-hop)
|                   +--ro numbered-node-hop
|                     +--ro node-id
|                       | te-node-id
|                       +--ro hop-type?
|                         te-hop-type
|                 +--:(numbered-link-hop)
|                   +--ro numbered-link-hop
|                     +--ro link-tp-id
|                       | te-tp-id
|                       +--ro hop-type?
|                         | te-hop-type
|                         +--ro direction?
|                           te-link-direction
|                 +--:(unnumbered-link-hop)
|                   +--ro unnumbered-link-hop
|                     +--ro link-tp-id
|                       | te-tp-id
|                       +--ro node-id

```

```

|         te-node-id
+---ro hop-type?
|         te-hop-type
+---ro direction?
|         te-link-direction
+---:(as-number)
|   +---ro as-number-hop
|   |   +---ro as-number
|   |   |   inet:as-number
|   |   +---ro hop-type?
|   |   |   te-hop-type
+---:(label)
|   +---ro label-hop
|   |   +---ro te-label
|   |   |   +---ro (technology)?
|   |   |   |   +---:(generic)
|   |   |   |   |   +---ro generic?
|   |   |   |   |   |   rt-
|   |   +---ro direction?
|   |   |   te-label-
|   |   |
|   |   +---:(srlg)
|   |   |   +---ro srlg
|   |   |   |   +---ro srlg?   uint32
+---ro explicit-route-include-objects
+---ro route-object-include-object*
|   [index]
+---ro index
|   |   uint32
+---ro (type)?
+---:(numbered-node-hop)
|   +---ro numbered-node-hop
|   |   +---ro node-id
|   |   |   te-node-id
|   |   +---ro hop-type?
|   |   |   te-hop-type
+---:(numbered-link-hop)
|   +---ro numbered-link-hop
|   |   +---ro link-tp-id
|   |   |   te-tp-id
|   |   +---ro hop-type?
|   |   |   te-hop-type
|   |   +---ro direction?
|   |   |   te-link-direction
+---:(unnumbered-link-hop)
|   +---ro unnumbered-link-hop
|   |   +---ro link-tp-id
|   |   |   te-tp-id
|   |   +---ro node-id
|   |   |   te-node-id
|   |   +---ro hop-type?
|   |   |   te-hop-type
|   |   +---ro direction?
|   |   |   te-link-direction
+---:(as-number)
|   +---ro as-number-hop
|   |   +---ro as-number

```

types:generalized-label

direction

```
                                |         inet:as-number
                                |         +---ro hop-type?
                                |         te-hop-type
                                +---:(label)
                                  +---ro label-hop
                                    +---ro te-label
                                      +---ro (technology)?
                                          | +---:(generic)
                                          | +---ro generic?
                                          |         rt-
types:generalized-label                          +---ro direction?
                                                  te-label-
direction
function)?
            +---ro tiebreakers
                +---ro tiebreaker* [tiebreaker-type]
                +---ro tiebreaker-type    identityref
            +---:(objective-function)
                {path-optimization-objective-
                    +---ro objective-function
                    +---ro objective-function-type?
                    identityref
            +---ro path-properties
            +---ro path-metric* [metric-type]
                | +---ro metric-type    identityref
                | +---ro accumulative-value?    uint64
            +---ro path-affinities-values
                | +---ro path-affinities-value* [usage]
                | +---ro usage    identityref
                | +---ro value?    admin-groups
            +---ro path-affinity-names
                | +---ro path-affinity-name* [usage]
                | +---ro usage    identityref
                | +---ro affinity-name* [name]
                | +---ro name    string
            +---ro path-srlgs-lists
                | +---ro path-srlgs-list* [usage]
                | +---ro usage    identityref
                | +---ro values*    srlg
            +---ro path-srlgs-names
                | +---ro path-srlgs-name* [usage]
                | +---ro usage    identityref
                | +---ro names*    string
            +---ro path-route-objects
                +---ro path-route-object* [index]
                +---ro index                                uint32
                +---ro (type)?
                    +---:(numbered-node-hop)
                        | +---ro numbered-node-hop
                        | +---ro node-id    te-node-id
                        | +---ro hop-type?    te-hop-type
                    +---:(numbered-link-hop)
                        | +---ro numbered-link-hop
                        | +---ro link-tp-id    te-tp-id
                        | +---ro hop-type?    te-hop-type
                        | +---ro direction?
                        |         te-link-direction
```



```

|     |                                     +--:(unnumbered-link-hop)
|     | |   +--ro unnumbered-link-hop
|     | |   |   +--ro link-tp-id         te-tp-id
|     | |   |   +--ro node-id          te-node-id
|     | |   |   +--ro hop-type?       te-hop-type
|     | |   |   +--ro direction?
|     | |   |       te-link-direction
|     | +--:(as-number)
|     | |   +--ro as-number-hop
|     | |   |   +--ro as-number      inet:as-number
|     | |   |   +--ro hop-type?    te-hop-type
|     | +--:(label)
|     | |   +--ro label-hop
|     | |   |   +--ro te-label
|     | |   |   |   +--ro (technology)?
|     | |   |   |       +--:(generic)
|     | |   |   |       |   +--ro generic?
|     | |   |   |       |       rt-
types:generalized-label
|     |                                     +--ro direction?
|     | |                                       te-label-direction
|     | +--ro domain-id?                   uint32
|     | +--ro is-abstract?                 empty
|     | +--ro name?                        string
|     | +--ro signaling-address*          inet:ip-address
|     | +--ro underlay-topology {te-topology-hierarchy}?
|     | |   +--ro network-ref?   -> /nw:networks/network/network-id
+--ro statistics
|   +--ro discontinuity-time?             yang:date-and-time
|   +--ro node
|   |   +--ro disables?                  yang:counter32
|   |   +--ro enables?                  yang:counter32
|   |   +--ro maintenance-sets?        yang:counter32
|   |   +--ro maintenance-clears?      yang:counter32
|   |   +--ro modifies?                 yang:counter32
|   +--ro connectivity-matrix-entry
|   |   +--ro creates?                  yang:counter32
|   |   +--ro deletes?                 yang:counter32
|   |   +--ro disables?                 yang:counter32
|   |   +--ro enables?                 yang:counter32
|   |   +--ro modifies?                 yang:counter32
+--rw tunnel-termination-point* [tunnel-tp-id]
|   +--rw tunnel-tp-id                    binary
|   +--rw admin-status?
|   |   te-types:te-admin-status
+--rw name?                                string
+--rw switching-capability?                identityref
+--rw encoding?                            identityref
+--rw inter-layer-lock-id*                uint32
+--rw protection-type?                     identityref
+--rw client-layer-adaptation
|   +--rw switching-capability*
|   |   [switching-capability encoding]
|   |   +--rw switching-capability       identityref
|   |   +--rw encoding                    identityref
|   +--rw te-bandwidth
|   |   +--rw (technology)?
|   |   |   +--:(generic)
```

```

|         +--rw generic?   te-bandwidth
+--rw local-link-connectivities
|   +--rw number-of-entries?   uint16
|   +--rw label-restrictions
|     +--rw label-restriction* [index]
|       +--rw restriction?   enumeration
|       +--rw index         uint32
|       +--rw label-start
|         +--rw te-label
|           +--rw (technology)?
|             +--:(generic)
|             +--rw generic?
|               rt-types:generalized-label
|           +--rw direction?   te-label-direction
|       +--rw label-end
|         +--rw te-label
|           +--rw (technology)?
|             +--:(generic)
|             +--rw generic?
|               rt-types:generalized-label
|           +--rw direction?   te-label-direction
|       +--rw label-step
|         +--rw (technology)?
|           +--:(generic)
|           +--rw generic?   int32
|       +--rw range-bitmap?   yang:hex-string
|   +--rw is-allowed?         boolean
|   +--rw underlay {te-topology-hierarchy}?
|     +--rw enabled?         boolean
|     +--rw primary-path
|       +--rw network-ref?
|         |   -> /nw:networks/network/network-id
|       +--rw path-element* [path-element-id]
|         +--rw path-element-id   uint32
|         +--rw (type)?
|           +--:(numbered-node-hop)
|             +--rw numbered-node-hop
|               +--rw node-id   te-node-id
|               +--rw hop-type? te-hop-type
|           +--:(numbered-link-hop)
|             +--rw numbered-link-hop
|               +--rw link-tp-id te-tp-id
|               +--rw hop-type? te-hop-type
|               +--rw direction? te-link-direction
|           +--:(unnumbered-link-hop)
|             +--rw unnumbered-link-hop
|               +--rw link-tp-id te-tp-id
|               +--rw node-id   te-node-id
|               +--rw hop-type? te-hop-type
|               +--rw direction? te-link-direction
|           +--:(as-number)
|             +--rw as-number-hop
|               +--rw as-number   inet:as-number
|               +--rw hop-type?   te-hop-type
|           +--:(label)
|             +--rw label-hop
|               +--rw te-label
|                 +--rw (technology)?

```

label				<pre> +--:(generic) +--rw generic? rt-types:generalized- </pre>
label				<pre> +--rw direction? te-label-direction +--rw backup-path* [index] +--rw index uint32 +--rw network-ref? -> /nw:networks/network/network-id +--rw path-element* [path-element-id] +--rw path-element-id uint32 +--rw (type)? +--:(numbered-node-hop) +--rw numbered-node-hop +--rw node-id te-node-id +--rw hop-type? te-hop-type +--:(numbered-link-hop) +--rw numbered-link-hop +--rw link-tp-id te-tp-id +--rw hop-type? te-hop-type +--rw direction? te-link-direction +--:(unnumbered-link-hop) +--rw unnumbered-link-hop +--rw link-tp-id te-tp-id +--rw node-id te-node-id +--rw hop-type? te-hop-type +--rw direction? te-link-direction +--:(as-number) +--rw as-number-hop +--rw as-number inet:as-number +--rw hop-type? te-hop-type +--:(label) +--rw label-hop +--rw te-label +--rw (technology)? +--:(generic) +--rw generic? rt-types:generalized- </pre>
				<pre> +--rw direction? te-label-direction +--rw protection-type? identityref +--rw tunnel-termination-points +--rw source? binary +--rw destination? binary +--rw tunnels +--rw sharing? boolean +--rw tunnel* [tunnel-name] +--rw tunnel-name string +--rw sharing? boolean +--rw path-constraints +--rw te-bandwidth +--rw (technology)? +--:(generic) +--rw generic? te-bandwidth +--rw link-protection? identityref +--rw setup-priority? uint8 </pre>

```

+--rw hold-priority?          uint8
+--rw signaling-type?        identityref
+--rw path-metric-bounds
|   +--rw path-metric-bound* [metric-type]
|       +--rw metric-type    identityref
|       +--rw upper-bound?  uint64
+--rw path-affinities-values
|   +--rw path-affinities-value* [usage]
|       +--rw usage         identityref
|       +--rw value?       admin-groups
+--rw path-affinity-names
|   +--rw path-affinity-name* [usage]
|       +--rw usage         identityref
|       +--rw affinity-name* [name]
|           +--rw name      string
+--rw path-srlgs-lists
|   +--rw path-srlgs-list* [usage]
|       +--rw usage         identityref
|       +--rw values*      srlg
+--rw path-srlgs-names
|   +--rw path-srlgs-name* [usage]
|       +--rw usage         identityref
|       +--rw names*       string
+--rw disjointness?          te-path-disjointness
+--rw optimizations
+--rw (algorithm)?
+--:(metric) {path-optimization-metric}?
|   +--rw optimization-metric* [metric-type]
|       |   +--rw metric-type
|       |   |   identityref
|       |   +--rw weight?
|       |   |   uint8
|       |   +--rw explicit-route-exclude-objects
|       |   |   +--rw route-object-exclude-object*
|       |   |   |   [index]
|       |   |   |   +--rw index
|       |   |   |   |   uint32
|       |   |   +--rw (type)?
|       |   |   |   +--:(numbered-node-hop)
|       |   |   |   |   +--rw numbered-node-hop
|       |   |   |   |   |   +--rw node-id    te-node-id
|       |   |   |   |   |   +--rw hop-type?  te-hop-type
|       |   |   |   +--:(numbered-link-hop)
|       |   |   |   |   +--rw numbered-link-hop
|       |   |   |   |   |   +--rw link-tp-id  te-tp-id
|       |   |   |   |   |   +--rw hop-type?
|       |   |   |   |   |   |   te-hop-type
|       |   |   |   |   |   +--rw direction?
|       |   |   |   |   |   |   te-link-direction
|       |   |   +--:(unnumbered-link-hop)
|       |   |   |   +--rw unnumbered-link-hop
|       |   |   |   |   +--rw link-tp-id  te-tp-id
|       |   |   |   |   +--rw node-id
|       |   |   |   |   |   te-node-id
|       |   |   |   |   +--rw hop-type?
|       |   |   |   |   |   te-hop-type
|       |   |   |   |   +--rw direction?
|       |   |   |   |   |   te-link-direction

```

```

types:generalized-label
+---:(as-number)
|   +---rw as-number-hop
|   |   +---rw as-number
|   |   |   inet:as-number
|   |   +---rw hop-type?
|   |       te-hop-type
+---:(label)
|   +---rw label-hop
|   |   +---rw te-label
|   |   |   +---rw (technology)?
|   |   |   |   +---:(generic)
|   |   |   |   |   +---rw generic?
|   |   |   |   |   rt-
|   |   +---rw direction?
|   |       te-label-direction
+---:(srlg)
|   +---rw srlg
|   |   +---rw srlg?   uint32
+---rw explicit-route-include-objects
+---rw route-object-include-object*
|   [index]
+---rw index
|   |   uint32
+---rw (type)?
+---:(numbered-node-hop)
|   +---rw numbered-node-hop
|   |   +---rw node-id   te-node-id
|   |   +---rw hop-type? te-hop-type
+---:(numbered-link-hop)
|   +---rw numbered-link-hop
|   |   +---rw link-tp-id   te-tp-id
|   |   +---rw hop-type?
|   |   |   te-hop-type
|   |   +---rw direction?
|   |       te-link-direction
+---:(unnumbered-link-hop)
|   +---rw unnumbered-link-hop
|   |   +---rw link-tp-id   te-tp-id
|   |   +---rw node-id
|   |   |   te-node-id
|   |   +---rw hop-type?
|   |   |   te-hop-type
|   |   +---rw direction?
|   |       te-link-direction
+---:(as-number)
|   +---rw as-number-hop
|   |   +---rw as-number
|   |   |   inet:as-number
|   |   +---rw hop-type?
|   |       te-hop-type
+---:(label)
|   +---rw label-hop
|   |   +---rw te-label
|   |   |   +---rw (technology)?
|   |   |   |   +---:(generic)
|   |   |   |   |   +---rw generic?
|   |   |   |   |   rt-

```

```

types:generalized-label
  +---rw direction?
  |           te-label-direction
  +---rw tiebreakers
  |   +---rw tiebreaker* [tiebreaker-type]
  |   +---rw tiebreaker-type  identityref
  +---:(objective-function)
  |   {path-optimization-objective-function}?
  |   +---rw objective-function
  |   +---rw objective-function-type?  identityref
  +---ro path-properties
  |   +---ro path-metric* [metric-type]
  |   |   +---ro metric-type  identityref
  |   |   +---ro accumulative-value?  uint64
  |   +---ro path-affinities-values
  |   |   +---ro path-affinities-value* [usage]
  |   |   |   +---ro usage  identityref
  |   |   |   +---ro value?  admin-groups
  |   +---ro path-affinity-names
  |   |   +---ro path-affinity-name* [usage]
  |   |   |   +---ro usage  identityref
  |   |   |   +---ro affinity-name* [name]
  |   |   |   +---ro name  string
  |   +---ro path-srlgs-lists
  |   |   +---ro path-srlgs-list* [usage]
  |   |   |   +---ro usage  identityref
  |   |   |   +---ro values*  srlg
  |   +---ro path-srlgs-names
  |   |   +---ro path-srlgs-name* [usage]
  |   |   |   +---ro usage  identityref
  |   |   |   +---ro names*  string
  +---ro path-route-objects
  |   +---ro path-route-object* [index]
  |   |   +---ro index  uint32
  |   |   +---ro (type)?
  |   |   |   +---:(numbered-node-hop)
  |   |   |   |   +---ro numbered-node-hop
  |   |   |   |   |   +---ro node-id  te-node-id
  |   |   |   |   |   +---ro hop-type?  te-hop-type
  |   |   |   +---:(numbered-link-hop)
  |   |   |   |   +---ro numbered-link-hop
  |   |   |   |   |   +---ro link-tp-id  te-tp-id
  |   |   |   |   |   +---ro hop-type?  te-hop-type
  |   |   |   |   |   +---ro direction?  te-link-direction
  |   |   |   +---:(unnumbered-link-hop)
  |   |   |   |   +---ro unnumbered-link-hop
  |   |   |   |   |   +---ro link-tp-id  te-tp-id
  |   |   |   |   |   +---ro node-id  te-node-id
  |   |   |   |   |   +---ro hop-type?  te-hop-type
  |   |   |   |   |   +---ro direction?  te-link-direction
  |   |   +---:(as-number)
  |   |   |   +---ro as-number-hop
  |   |   |   |   +---ro as-number  inet:as-number
  |   |   |   |   +---ro hop-type?  te-hop-type
  |   |   +---:(label)
  |   |   |   +---ro label-hop
  |   |   |   |   +---ro te-label
  |   |   |   |   |   +---ro (technology)?

```

```

label
|
|   +---:(generic)
|   |   +---ro generic?
|   |   |   rt-types:generalized-
|
|   +---ro direction?
|   |   te-label-direction
+--rw local-link-connectivity* [link-tp-ref]
+--rw link-tp-ref
|   -> ../../../../nt:termination-point/tp-id
+--rw label-restrictions
|   +--rw label-restriction* [index]
|   |   +--rw restriction? enumeration
|   |   +--rw index          uint32
|   |   +--rw label-start
|   |   |   +--rw te-label
|   |   |   |   +--rw (technology)?
|   |   |   |   |   +---:(generic)
|   |   |   |   |   +--rw generic?
|   |   |   |   |   |   rt-types:generalized-label
|   |   |   |   |   +--rw direction? te-label-direction
+--rw label-end
|   +--rw te-label
|   |   +--rw (technology)?
|   |   |   +---:(generic)
|   |   |   +--rw generic?
|   |   |   |   rt-types:generalized-label
|   |   +--rw direction? te-label-direction
+--rw label-step
|   +--rw (technology)?
|   |   +---:(generic)
|   |   +--rw generic? int32
+--rw range-bitmap? yang:hex-string
+--rw is-allowed? boolean
+--rw underlay {te-topology-hierarchy}?
|   +--rw enabled? boolean
+--rw primary-path
|   +--rw network-ref?
|   |   -> /nw:networks/network/network-id
+--rw path-element* [path-element-id]
|   +--rw path-element-id          uint32
|   +--rw (type)?
|   |   +---:(numbered-node-hop)
|   |   |   +--rw numbered-node-hop
|   |   |   |   +--rw node-id      te-node-id
|   |   |   |   +--rw hop-type?  te-hop-type
|   |   |   +---:(numbered-link-hop)
|   |   |   |   +--rw numbered-link-hop
|   |   |   |   |   +--rw link-tp-id te-tp-id
|   |   |   |   |   +--rw hop-type? te-hop-type
|   |   |   |   |   +--rw direction?
|   |   |   |   |   |   te-link-direction
|   |   |   +---:(unnumbered-link-hop)
|   |   |   |   +--rw unnumbered-link-hop
|   |   |   |   |   +--rw link-tp-id te-tp-id
|   |   |   |   |   +--rw node-id      te-node-id
|   |   |   |   |   +--rw hop-type?  te-hop-type
|   |   |   |   |   +--rw direction?
|   |   |   |   |   |   te-link-direction

```

```

types:generalized-label
    +--:(as-number)
    |   +--rw as-number-hop
    |   |   +--rw as-number      inet:as-number
    |   |   +--rw hop-type?     te-hop-type
    +--:(label)
    |   +--rw label-hop
    |   |   +--rw te-label
    |   |   |   +--rw (technology)?
    |   |   |   |   +--:(generic)
    |   |   |   |   +--rw generic?
    |   |   |   |   rt-
    |   |   |   |
    |   |   |   +--rw direction?
    |   |   |   |   te-label-direction
    +--rw backup-path* [index]
    |   +--rw index              uint32
    |   +--rw network-ref?
    |   |   -> /nw:networks/network/network-id
    +--rw path-element* [path-element-id]
    |   +--rw path-element-id    uint32
    |   +--rw (type)?
    |   |   +--:(numbered-node-hop)
    |   |   |   +--rw numbered-node-hop
    |   |   |   |   +--rw node-id      te-node-id
    |   |   |   |   +--rw hop-type?   te-hop-type
    |   |   +--:(numbered-link-hop)
    |   |   |   +--rw numbered-link-hop
    |   |   |   |   +--rw link-tp-id   te-tp-id
    |   |   |   |   +--rw hop-type?   te-hop-type
    |   |   |   |   +--rw direction?
    |   |   |   |   |   te-link-direction
    |   |   +--:(unnumbered-link-hop)
    |   |   |   +--rw unnumbered-link-hop
    |   |   |   |   +--rw link-tp-id   te-tp-id
    |   |   |   |   +--rw node-id      te-node-id
    |   |   |   |   +--rw hop-type?   te-hop-type
    |   |   |   |   +--rw direction?
    |   |   |   |   |   te-link-direction
    |   +--:(as-number)
    |   |   +--rw as-number-hop
    |   |   |   +--rw as-number      inet:as-number
    |   |   |   +--rw hop-type?     te-hop-type
    +--:(label)
    |   +--rw label-hop
    |   |   +--rw te-label
    |   |   |   +--rw (technology)?
    |   |   |   |   +--:(generic)
    |   |   |   |   +--rw generic?
    |   |   |   |   rt-
    |   |   |   |
    |   |   |   +--rw direction?
    |   |   |   |   te-label-direction
    +--rw protection-type?      identityref
    +--rw tunnel-termination-points
    |   +--rw source?           binary
    |   +--rw destination?     binary
    +--rw tunnels
    |   +--rw sharing?         boolean

```



```

    +--rw tunnel* [tunnel-name]
      +--rw tunnel-name    string
      +--rw sharing?      boolean
+--rw path-constraints
  +--rw te-bandwidth
    | +--rw (technology)?
    |   +--:(generic)
    |     +--rw generic?  te-bandwidth
  +--rw link-protection?  identityref
  +--rw setup-priority?   uint8
  +--rw hold-priority?   uint8
  +--rw signaling-type?  identityref
+--rw path-metric-bounds
  | +--rw path-metric-bound* [metric-type]
  |   +--rw metric-type    identityref
  |   +--rw upper-bound?  uint64
+--rw path-affinities-values
  | +--rw path-affinities-value* [usage]
  |   +--rw usage          identityref
  |   +--rw value?        admin-groups
+--rw path-affinity-names
  | +--rw path-affinity-name* [usage]
  |   +--rw usage          identityref
  |   +--rw affinity-name* [name]
  |     +--rw name         string
+--rw path-srlgs-lists
  | +--rw path-srlgs-list* [usage]
  |   +--rw usage          identityref
  |   +--rw values*       srlg
+--rw path-srlgs-names
  | +--rw path-srlgs-name* [usage]
  |   +--rw usage          identityref
  |   +--rw names*        string
+--rw disjointness?
  |   te-path-disjointness
+--rw optimizations
  +--rw (algorithm)?
  | +--:(metric) {path-optimization-metric}?
  |   +--rw optimization-metric* [metric-type]
  |     | +--rw metric-type
  |     | | identityref
  |     | +--rw weight?
  |     | | uint8
  |     | +--rw explicit-route-exclude-objects
  |     | | +--rw route-object-exclude-object*
  |     | | | [index]
  |     | | | +--rw index
  |     | | | | uint32
  |     | | +--rw (type)?
  |     | | | +--:(numbered-node-hop)
  |     | | | | +--rw numbered-node-hop
  |     | | | | | +--rw node-id
  |     | | | | | | te-node-id
  |     | | | | | +--rw hop-type?
  |     | | | | | | te-hop-type
  |     | | | +--:(numbered-link-hop)
  |     | | | | +--rw numbered-link-hop
  |     | | | | +--rw link-tp-id

```

					te-tp-id +---rw hop-type? te-hop-type +---rw direction? te-link-direction +---:(unnumbered-link-hop) +---rw unnumbered-link-hop +---rw link-tp-id te-tp-id +---rw node-id te-node-id +---rw hop-type? te-hop-type +---rw direction? te-link-direction +---:(as-number) +---rw as-number-hop +---rw as-number inet:as-number +---rw hop-type? te-hop-type +---:(label) +---rw label-hop +---rw te-label +---rw (technology)? +---:(generic) +---rw generic? rt- +---rw direction? te-label-
types:generalized-label					
direction					+---:(srlg) +---rw srlg +---rw srlg? uint32 +---rw explicit-route-include-objects +---rw route-object-include-object* [index] +---rw index uint32 +---rw (type)? +---:(numbered-node-hop) +---rw numbered-node-hop +---rw node-id te-node-id +---rw hop-type? te-hop-type +---:(numbered-link-hop) +---rw numbered-link-hop +---rw link-tp-id te-tp-id +---rw hop-type? te-hop-type +---rw direction? te-link-direction +---:(unnumbered-link-hop) +---rw unnumbered-link-hop +---rw link-tp-id

					<pre> te-tp-id +--rw node-id te-node-id +--rw hop-type? te-hop-type +--rw direction? te-link-direction +--:(as-number) +--rw as-number-hop +--rw as-number inet:as-number +--rw hop-type? te-hop-type +--:(label) +--rw label-hop +--rw te-label +--rw (technology)? +--:(generic) +--rw generic? rt- +--rw direction? te-label- </pre>
types:generalized-label					
direction					
function)?					<pre> +--rw tiebreakers +--rw tiebreaker* [tiebreaker-type] +--rw tiebreaker-type identityref +--:(objective-function) {path-optimization-objective- +--rw objective-function +--rw objective-function-type? identityref +--ro path-properties +--ro path-metric* [metric-type] +--ro metric-type identityref +--ro accumulative-value? uint64 +--ro path-affinities-values +--ro path-affinities-value* [usage] +--ro usage identityref +--ro value? admin-groups +--ro path-affinity-names +--ro path-affinity-name* [usage] +--ro usage identityref +--ro affinity-name* [name] +--ro name string +--ro path-srlgs-lists +--ro path-srlgs-list* [usage] +--ro usage identityref +--ro values* srlg +--ro path-srlgs-names +--ro path-srlgs-name* [usage] +--ro usage identityref +--ro names* string +--ro path-route-objects +--ro path-route-object* [index] +--ro index uint32 +--ro (type)? </pre>

```
types:generalized-label
  +--:(numbered-node-hop)
  |   +--ro numbered-node-hop
  |   +--ro node-id      te-node-id
  |   +--ro hop-type?   te-hop-type
  +--:(numbered-link-hop)
  |   +--ro numbered-link-hop
  |   +--ro link-tp-id  te-tp-id
  |   +--ro hop-type?   te-hop-type
  |   +--ro direction?
  |                       te-link-direction
  +--:(unnumbered-link-hop)
  |   +--ro unnumbered-link-hop
  |   +--ro link-tp-id  te-tp-id
  |   +--ro node-id    te-node-id
  |   +--ro hop-type?   te-hop-type
  |   +--ro direction?
  |                       te-link-direction
  +--:(as-number)
  |   +--ro as-number-hop
  |   +--ro as-number   inet:as-number
  |   +--ro hop-type?   te-hop-type
  +--:(label)
  |   +--ro label-hop
  |   +--ro te-label
  |       +--ro (technology)?
  |           +--:(generic)
  |               +--ro generic?
  |                   rt-
  |
  |   +--ro direction?
  |                       te-label-direction
  +--ro oper-status?
  |   te-types:te-oper-status
  +--ro geolocation
  |   +--ro altitude?   int64
  |   +--ro latitude?   geographic-coordinate-degree
  |   +--ro longitude?  geographic-coordinate-degree
  +--ro statistics
  |   +--ro discontinuity-time?   yang:date-and-time
  +--ro tunnel-termination-point
  |   +--ro disables?           yang:counter32
  |   +--ro enables?           yang:counter32
  |   +--ro maintenance-clears? yang:counter32
  |   +--ro maintenance-sets?  yang:counter32
  |   +--ro modifies?          yang:counter32
  |   +--ro downs?             yang:counter32
  |   +--ro ups?               yang:counter32
  |   +--ro in-service-clears?  yang:counter32
  |   +--ro in-service-sets?    yang:counter32
  +--ro local-link-connectivity
  |   +--ro creates?           yang:counter32
  |   +--ro deletes?          yang:counter32
  |   +--ro disables?         yang:counter32
  |   +--ro enables?          yang:counter32
  |   +--ro modifies?         yang:counter32
  +--rw supporting-tunnel-termination-point*
  |   [node-ref tunnel-tp-ref]
  +--rw node-ref               inet:uri
```

```

    +--rw tunnel-tp-ref    binary
augment /nw:networks/nw:network/nt:link:
+--rw te!
+--rw (bundle-stack-level)?
| +--:(bundle)
| | +--rw bundled-links
| | | +--rw bundled-link* [sequence]
| | | | +--rw sequence      uint32
| | | | +--rw src-tp-ref?   leafref
| | | | +--rw des-tp-ref?  leafref
| | +--:(component)
| | | +--rw component-links
| | | | +--rw component-link* [sequence]
| | | | | +--rw sequence      uint32
| | | | | +--rw src-interface-ref? string
| | | | | +--rw des-interface-ref? string
+--rw te-link-template*
| | -> ../../../../te/templates/link-template/name
| | {template}?
+--rw te-link-attributes
| | +--rw access-type?
| | | te-types:te-link-access-type
+--rw external-domain
| | +--rw network-ref?
| | | -> /nw:networks/network/network-id
| | +--rw remote-te-node-id?   te-types:te-node-id
| | +--rw remote-te-link-tp-id? te-types:te-tp-id
+--rw is-abstract?            empty
+--rw name?                   string
+--rw underlay {te-topology-hierarchy}?
| | +--rw enabled?            boolean
| | +--rw primary-path
| | | +--rw network-ref?
| | | | -> /nw:networks/network/network-id
| | | +--rw path-element* [path-element-id]
| | | | +--rw path-element-id      uint32
| | | | +--rw (type)?
| | | | | +--:(numbered-node-hop)
| | | | | | +--rw numbered-node-hop
| | | | | | | +--rw node-id      te-node-id
| | | | | | | +--rw hop-type?   te-hop-type
| | | | | +--:(numbered-link-hop)
| | | | | | +--rw numbered-link-hop
| | | | | | | +--rw link-tp-id   te-tp-id
| | | | | | | +--rw hop-type?   te-hop-type
| | | | | | | +--rw direction?  te-link-direction
| | | | | +--:(unnumbered-link-hop)
| | | | | | +--rw unnumbered-link-hop
| | | | | | | +--rw link-tp-id   te-tp-id
| | | | | | | +--rw node-id      te-node-id
| | | | | | | +--rw hop-type?   te-hop-type
| | | | | | | +--rw direction?  te-link-direction
| | | | | +--:(as-number)
| | | | | | +--rw as-number-hop
| | | | | | | +--rw as-number     inet:as-number
| | | | | | | +--rw hop-type?   te-hop-type
| | | | | +--:(label)
| | | | | | +--rw label-hop

```

label		<pre> +--rw te-label +--rw (technology)? +--:(generic) +--rw generic? rt-types:generalized- +--rw direction? te-label-direction +--rw backup-path* [index] +--rw index uint32 +--rw network-ref? -> /nw:networks/network/network-id +--rw path-element* [path-element-id] +--rw path-element-id uint32 +--rw (type)? +--:(numbered-node-hop) +--rw numbered-node-hop +--rw node-id te-node-id +--rw hop-type? te-hop-type +--:(numbered-link-hop) +--rw numbered-link-hop +--rw link-tp-id te-tp-id +--rw hop-type? te-hop-type +--rw direction? te-link-direction +--:(unnumbered-link-hop) +--rw unnumbered-link-hop +--rw link-tp-id te-tp-id +--rw node-id te-node-id +--rw hop-type? te-hop-type +--rw direction? te-link-direction +--:(as-number) +--rw as-number-hop +--rw as-number inet:as-number +--rw hop-type? te-hop-type +--:(label) +--rw label-hop +--rw te-label +--rw (technology)? +--:(generic) +--rw generic? rt-types:generalized- +--rw direction? te-label-direction +--rw protection-type? identityref +--rw tunnel-termination-points +--rw source? binary +--rw destination? binary +--rw tunnels +--rw sharing? boolean +--rw tunnel* [tunnel-name] +--rw tunnel-name string +--rw sharing? boolean +--rw admin-status? te-types:te-admin-status +--rw link-index? uint64 +--rw administrative-group? te-types:admin-groups </pre>
label		<pre> +--rw te-label +--rw (technology)? +--:(generic) +--rw generic? rt-types:generalized- +--rw direction? te-label-direction +--rw backup-path* [index] +--rw index uint32 +--rw network-ref? -> /nw:networks/network/network-id +--rw path-element* [path-element-id] +--rw path-element-id uint32 +--rw (type)? +--:(numbered-node-hop) +--rw numbered-node-hop +--rw node-id te-node-id +--rw hop-type? te-hop-type +--:(numbered-link-hop) +--rw numbered-link-hop +--rw link-tp-id te-tp-id +--rw hop-type? te-hop-type +--rw direction? te-link-direction +--:(unnumbered-link-hop) +--rw unnumbered-link-hop +--rw link-tp-id te-tp-id +--rw node-id te-node-id +--rw hop-type? te-hop-type +--rw direction? te-link-direction +--:(as-number) +--rw as-number-hop +--rw as-number inet:as-number +--rw hop-type? te-hop-type +--:(label) +--rw label-hop +--rw te-label +--rw (technology)? +--:(generic) +--rw generic? rt-types:generalized- +--rw direction? te-label-direction +--rw protection-type? identityref +--rw tunnel-termination-points +--rw source? binary +--rw destination? binary +--rw tunnels +--rw sharing? boolean +--rw tunnel* [tunnel-name] +--rw tunnel-name string +--rw sharing? boolean +--rw admin-status? te-types:te-admin-status +--rw link-index? uint64 +--rw administrative-group? te-types:admin-groups </pre>

```

+--rw interface-switching-capability*
|   [switching-capability encoding]
|   +--rw switching-capability identityref
|   +--rw encoding identityref
|   +--rw max-lsp-bandwidth* [priority]
|       +--rw priority uint8
|       +--rw te-bandwidth
|           +--rw (technology)?
|               +--:(generic)
|                   +--rw generic? te-bandwidth
+--rw label-restrictions
|   +--rw label-restriction* [index]
|       +--rw restriction? enumeration
|       +--rw index uint32
|       +--rw label-start
|           | +--rw te-label
|           |     +--rw (technology)?
|           |     | +--:(generic)
|           |     |     +--rw generic?
|           |     |         rt-types:generalized-label
|           |     +--rw direction? te-label-direction
|       +--rw label-end
|           | +--rw te-label
|           |     +--rw (technology)?
|           |     | +--:(generic)
|           |     |     +--rw generic?
|           |     |         rt-types:generalized-label
|           |     +--rw direction? te-label-direction
|       +--rw label-step
|           | +--rw (technology)?
|           |     +--:(generic)
|           |         +--rw generic? int32
|       +--rw range-bitmap? yang:hex-string
+--rw link-protection-type? identityref
+--rw max-link-bandwidth
|   +--rw te-bandwidth
|       +--rw (technology)?
|           +--:(generic)
|               +--rw generic? te-bandwidth
+--rw max-resv-link-bandwidth
|   +--rw te-bandwidth
|       +--rw (technology)?
|           +--:(generic)
|               +--rw generic? te-bandwidth
+--rw unreserved-bandwidth* [priority]
|   +--rw priority uint8
|   +--rw te-bandwidth
|       +--rw (technology)?
|           +--:(generic)
|               +--rw generic? te-bandwidth
+--rw te-default-metric? uint32
+--rw te-delay-metric? uint32
+--rw te-igp-metric? uint32
+--rw te-srlgs
|   +--rw value* te-types:srlg
+--rw te-nsrlgs {nsrlg}?
|   +--rw id* uint32
+--ro oper-status? te-types:te-oper-status

```

```

+--ro is-transitional?          empty
+--ro information-source?       te-info-source
+--ro information-source-instance? string
+--ro information-source-state
| +--ro credibility-preference? uint16
| +--ro logical-network-element? string
| +--ro network-instance?       string
| +--ro topology
|   +--ro link-ref?             leafref
|   +--ro network-ref?         -> /nw:networks/network/network-id
+--ro information-source-entry*
|   [information-source information-source-instance]
|   +--ro information-source       te-info-source
|   +--ro information-source-instance string
|   +--ro information-source-state
|     +--ro credibility-preference? uint16
|     +--ro logical-network-element? string
|     +--ro network-instance?       string
|     +--ro topology
|       +--ro link-ref?           leafref
|       +--ro network-ref?       -> /nw:networks/network/network-id
+--ro link-index?               uint64
+--ro administrative-group?
|   te-types:admin-groups
+--ro interface-switching-capability*
|   [switching-capability encoding]
|   +--ro switching-capability    identityref
|   +--ro encoding                 identityref
|   +--ro max-lsp-bandwidth* [priority]
|     +--ro priority               uint8
|     +--ro te-bandwidth
|       +--ro (technology)?
|         +--:(generic)
|         +--ro generic?          te-bandwidth
+--ro label-restrictions
|   +--ro label-restriction* [index]
|     +--ro restriction?          enumeration
|     +--ro index                 uint32
|     +--ro label-start
|       +--ro te-label
|         +--ro (technology)?
|           +--:(generic)
|           +--ro generic?
|             rt-types:generalized-label
|       +--ro direction?          te-label-direction
+--ro label-end
|   +--ro te-label
|     +--ro (technology)?
|       +--:(generic)
|       +--ro generic?
|         rt-types:generalized-label
|     +--ro direction?          te-label-direction
+--ro label-step
|   +--ro (technology)?
|     +--:(generic)
|     +--ro generic?            int32
+--ro range-bitmap?            yang:hex-string

```



```

| +--ro link-protection-type?          identityref
| +--ro max-link-bandwidth
| | +--ro te-bandwidth
| | | +--ro (technology)?
| | | | +--:(generic)
| | | | +--ro generic?    te-bandwidth
| +--ro max-resv-link-bandwidth
| | +--ro te-bandwidth
| | | +--ro (technology)?
| | | | +--:(generic)
| | | | +--ro generic?    te-bandwidth
| +--ro unreserved-bandwidth* [priority]
| | +--ro priority          uint8
| | +--ro te-bandwidth
| | | +--ro (technology)?
| | | | +--:(generic)
| | | | +--ro generic?    te-bandwidth
| +--ro te-default-metric?           uint32
| +--ro te-delay-metric?             uint32
| +--ro te-igp-metric?               uint32
| +--ro te-srlgs
| | +--ro value*    te-types:srlg
| +--ro te-nsrlgs {nsrlg}?
| | +--ro id*      uint32
+--ro recovery
| +--ro restoration-status?    te-types:te-recovery-status
| +--ro protection-status?    te-types:te-recovery-status
+--ro underlay {te-topology-hierarchy}?
| +--ro dynamic?              boolean
| +--ro committed?           boolean
+--ro statistics
  +--ro discontinuity-time?    yang:date-and-time
  +--ro disables?              yang:counter32
  +--ro enables?              yang:counter32
  +--ro maintenance-clears?    yang:counter32
  +--ro maintenance-sets?     yang:counter32
  +--ro modifies?              yang:counter32
  +--ro downs?                 yang:counter32
  +--ro ups?                   yang:counter32
  +--ro fault-clears?          yang:counter32
  +--ro fault-detects?         yang:counter32
  +--ro protection-switches?   yang:counter32
  +--ro protection-reverts?    yang:counter32
  +--ro restoration-failures?  yang:counter32
  +--ro restoration-starts?    yang:counter32
  +--ro restoration-successes? yang:counter32
  +--ro restoration-reversion-failures? yang:counter32
  +--ro restoration-reversion-starts? yang:counter32
  +--ro restoration-reversion-successes? yang:counter32
augment /nw:networks/nw:network/nw:node/nt:termination-point:
+--rw te-tp-id?    te-types:te-tp-id
+--rw te!
  +--rw admin-status?
  |   te-types:te-admin-status
  +--rw name?      string
  +--rw interface-switching-capability*
  |   [switching-capability encoding]
  |   +--rw switching-capability    identityref

```

```

|   +--rw encoding                identityref
|   +--rw max-lsp-bandwidth* [priority]
|       +--rw priority            uint8
|       +--rw te-bandwidth
|           +--rw (technology)?
|               +--:(generic)
|                   +--rw generic?   te-bandwidth
+--rw inter-domain-plug-id?        binary
+--rw inter-layer-lock-id*         uint32
+--ro oper-status?
|   te-types:te-oper-status
+--ro geolocation
|   +--ro altitude?               int64
|   +--ro latitude?              geographic-coordinate-degree
|   +--ro longitude?             geographic-coordinate-degree

```

Appendix B. Companion YANG Data Model for Non-NMDA-Compliant Implementations

The YANG module "ietf-te-topology" defined in [Section 7](#) is designed to be used in conjunction with implementations that support the Network Management Datastore Architecture (NMDA) defined in [[RFC8342](#)]. In order to allow implementations to use the model even in cases where NMDA is not supported, the following companion module, "ietf-te-topology-state", is defined as a state model that mirrors the module "ietf-te-topology". However, all data nodes in this "ietf-te-topology-state" companion module are non-configurable; they are provided to represent the applied configuration or the derived operational states.

This companion module is redundant and **SHOULD NOT** be supported by implementations that support NMDA; therefore, we define it below rather than in the main body of this document.

As the structure of the module "ietf-te-topology-state" mirrors that of the module "ietf-te-topology", the YANG tree of the module "ietf-te-topology-state" is not depicted separately.

B.1. TE Topology State YANG Module

This module references [\[RFC6001\]](#), [\[RFC8345\]](#), and [\[RFC8776\]](#).

```
<CODE BEGINS> file "ietf-te-topology-state@2020-08-06.yang"

module ietf-te-topology-state {
  yang-version 1.1;
  namespace "urn:ietf:params:xml:ns:yang:ietf-te-topology-state";
  prefix tet-s;

  import ietf-te-types {
    prefix te-types;
    reference
      "RFC 8776: Common YANG Data Types for Traffic Engineering";
  }
  import ietf-te-topology {
    prefix tet;
    reference
      "RFC 8795: YANG Data Model for Traffic Engineering (TE)
      Topologies";
  }
  import ietf-network-state {
    prefix nw-s;
    reference
      "RFC 8345: A YANG Data Model for Network Topologies";
  }
  import ietf-network-topology-state {
    prefix nt-s;
    reference
      "RFC 8345: A YANG Data Model for Network Topologies";
  }

  organization
    "IETF Traffic Engineering Architecture and Signaling (TEAS)
    Working Group";
  contact
    "WG Web: <https://datatracker.ietf.org/wg/teas/>
    WG List: <mailto:teas@ietf.org>

    Editor: Xufeng Liu
           <mailto:xufeng.liu.ietf@gmail.com>

    Editor: Igor Bryskin
           <mailto:i_bryskin@yahoo.com>

    Editor: Vishnu Pavan Beeram
           <mailto:vbeeram@juniper.net>

    Editor: Tarek Saad
           <mailto:tsaad@juniper.net>

    Editor: Himanshu Shah
           <mailto:hshah@ciena.com>

    Editor: Oscar Gonzalez de Dios
           <mailto:oscar.gonzalezdedios@telefonica.com>";
  description
    "This YANG module defines a TE topology state model.

    Copyright (c) 2020 IETF Trust and the persons identified as
```

```

    authors of the code. All rights reserved.

    Redistribution and use in source and binary forms, with or
    without modification, is permitted pursuant to, and subject to
    the license terms contained in, the Simplified BSD License set
    forth in Section 4.c of the IETF Trust's Legal Provisions
    Relating to IETF Documents
    (https://trustee.ietf.org/license-info).

    This version of this YANG module is part of RFC 8795; see the
    RFC itself for full legal notices.";

revision 2020-08-06 {
  description
    "Initial revision.";
  reference
    "RFC 8795: YANG Data Model for Traffic Engineering (TE)
    Topologies";
}

/*
 * Groupings
 */

grouping te-node-connectivity-matrix-attributes {
  description
    "Termination point references of a connectivity matrix entry.";
  container from {
    description
      "Reference to a source Link Termination Point (LTP).";
    leaf tp-ref {
      type leafref {
        path "../.../.../.../.../nt-s:termination-point/nt-s:tp-id";
      }
      description
        "Relative reference to a termination point.";
    }
    uses te-types:label-set-info;
  }
  container to {
    description
      "Reference to a destination LTP.";
    leaf tp-ref {
      type leafref {
        path "../.../.../.../.../nt-s:termination-point/nt-s:tp-id";
      }
      description
        "Relative reference to a termination point.";
    }
    uses te-types:label-set-info;
  }
  uses tet:connectivity-matrix-entry-path-attributes;
}
// te-node-connectivity-matrix-attributes

grouping te-node-tunnel-termination-point-llc-list {
  description
    "Local Link Connectivity List (LLCL) of a Tunnel Termination

```

```

    Point (TTP) on a TE node.";
list local-link-connectivity {
  key "link-tp-ref";
  description
    "The termination capabilities between the TTP and the LTP.
    This capability information can be used to compute
    the tunnel path.
    The Interface Adjustment Capability Descriptors (IACDs)
    (defined in RFC 6001) on each LTP can be derived from
    this list.";
  reference
    "RFC 6001: Generalized MPLS (GMPLS) Protocol Extensions
    for Multi-Layer and Multi-Region Networks (MLN/MRN)";
  leaf link-tp-ref {
    type leafref {
      path "../..../nt-s:termination-point/nt-s:tp-id";
    }
    description
      "LTP.";
  }
  uses te-types:label-set-info;
  uses tet:connectivity-matrix-entry-path-attributes;
}
// local-link-connectivity
}
// te-node-tunnel-termination-point-llc-list

/*
 * Data nodes
 */

augment "/nw-s:networks/nw-s:network/nw-s:network-types" {
  description
    "Introduces a new network type for a TE topology.";
  container te-topology {
    presence "Indicates a TE topology";
    description
      "Its presence identifies the TE topology type.";
  }
}

augment "/nw-s:networks" {
  description
    "Augmentation parameters for TE topologies.";
  uses tet:te-topologies-augment;
}

augment "/nw-s:networks/nw-s:network" {
  when 'nw-s:network-types/tet-s:te-topology' {
    description
      "Augmentation parameters apply only for networks with a
      TE topology type.";
  }
  description
    "Configuration parameters for a TE topology.";
  uses tet:te-topology-augment;
}

```

```

augment "/nw-s:networks/nw-s:network/nw-s:node" {
  when '../nw-s:network-types/tet-s:te-topology' {
    description
      "Augmentation parameters apply only for networks with a
      TE topology type.";
  }
  description
    "Configuration parameters for TE at the node level.";
  leaf te-node-id {
    type te-types:te-node-id;
    description
      "The identifier of a node in the TE topology.
      A node is specific to a topology to which it belongs.";
  }
  container te {
    must '../te-node-id' {
      description
        "'te-node-id' is mandatory.";
    }
    must 'count(..nw-s:supporting-node)<=1' {
      description
        "For a node in a TE topology, there cannot be more
        than one supporting node. If multiple nodes are
        abstracted, the 'underlay-topology' field is used.";
    }
    presence "TE support";
    description
      "Indicates TE support.";
    uses tet:te-node-augment;
  }
}

augment "/nw-s:networks/nw-s:network/nt-s:link" {
  when '../nw-s:network-types/tet-s:te-topology' {
    description
      "Augmentation parameters apply only for networks with a
      TE topology type.";
  }
  description
    "Configuration parameters for TE at the link level.";
  container te {
    must 'count(..nt-s:supporting-link)<=1' {
      description
        "For a link in a TE topology, there cannot be more
        than one supporting link. If one or more link paths are
        abstracted, the underlay is used.";
    }
    presence "TE support";
    description
      "Indicates TE support.";
    uses tet:te-link-augment;
  }
}

augment "/nw-s:networks/nw-s:network/nw-s:node/"
  + "nt-s:termination-point" {
  when '../nw-s:network-types/tet-s:te-topology' {
    description

```

```

        "Augmentation parameters apply only for networks with a
        TE topology type.";
    }
    description
        "Configuration parameters for TE at the termination point
        level.";
    uses tet:te-termination-point-augment;
}

augment "/nw-s:networks/nw-s:network/nt-s:link/te/"
    + "bundle-stack-level/bundle/bundled-links/bundled-link" {
    when '../..../nw-s:network-types/tet-s:te-topology' {
        description
            "Augmentation parameters apply only for networks with a
            TE topology type.";
    }
    description
        "Augmentation for a TE bundled link.";
    leaf src-tp-ref {
        type leafref {
            path "../..../nw-s:node[nw-s:node-id = "
                + "current()/.*/nt-s:source/"
                + "nt-s:source-node]/"
                + "nt-s:termination-point/nt-s:tp-id";
            require-instance true;
        }
        description
            "Reference to another TE termination point on the
            same source node.";
    }
    leaf des-tp-ref {
        type leafref {
            path "../..../nw-s:node[nw-s:node-id = "
                + "current()/.*/nt-s:destination/"
                + "nt-s:dest-node]/"
                + "nt-s:termination-point/nt-s:tp-id";
            require-instance true;
        }
        description
            "Reference to another TE termination point on the
            same destination node.";
    }
}

augment "/nw-s:networks/nw-s:network/nw-s:node/te/"
    + "information-source-entry/connectivity-matrices/"
    + "connectivity-matrix" {
    when '../..../nw-s:network-types/tet-s:te-topology' {
        description
            "Augmentation parameters apply only for networks with a
            TE topology type.";
    }
    description
        "Augmentation for the TE node connectivity matrix.";
    uses te-node-connectivity-matrix-attributes;
}

augment "/nw-s:networks/nw-s:network/nw-s:node/te/"

```



```
    + "te-node-attributes/connectivity-matrices/"
    + "connectivity-matrix" {
when '../../../../../nw-s:network-types/tet-s:te-topology' {
  description
    "Augmentation parameters apply only for networks with a
    TE topology type.";
}
description
  "Augmentation for the TE node connectivity matrix.";
uses te-node-connectivity-matrix-attributes;
}

augment "/nw-s:networks/nw-s:network/nw-s:node/te/"
  + "tunnel-termination-point/local-link-connectivities" {
when '../../../../../nw-s:network-types/tet-s:te-topology' {
  description
    "Augmentation parameters apply only for networks with a
    TE topology type.";
}
description
  "Augmentation for TE node TTP LLCs (Local Link
  Connectivities).";
uses te-node-tunnel-termination-point-llc-list;
}
}
<CODE ENDS>
```

Appendix C. Example: YANG Data Model for Technology-Specific Augmentations

This appendix provides an example YANG module that defines a technology-specific TE topology model for the example-topology model described in [Section 6](#).

This module references [\[RFC8345\]](#).

```
module example-topology {
  yang-version 1.1;
  namespace "https://example.com/example-topology";
  prefix ex-topo;

  import ietf-network {
    prefix nw;
    reference
      "RFC 8345: A YANG Data Model for Network Topologies";
  }
  import ietf-network-topology {
    prefix nt;
    reference
      "RFC 8345: A YANG Data Model for Network Topologies";
  }
  import ietf-te-topology {
    prefix tet;
    reference
      "RFC 8795: YANG Data Model for Traffic Engineering (TE)
      Topologies";
  }

  organization
    "Example Organization";
  contact
    "Editor: Example Author";
  description
    "This module defines a topology data model for the example
    technology.";

  revision 2020-06-29 {
    description
      "Initial revision.";
    reference
      "Example reference";
  }

  /*
   * Data nodes
   */

  augment "/nw:networks/nw:network/nw:network-types/"
    + "tet:te-topology" {
    description
      "Augmentation for network types to define an example topology
      type.";
    container example-topology {
      presence "Introduces a new network type for an example
      topology";
      description
        "Its presence identifies the example topology type.";
    }
  }

  augment "/nw:networks/nw:network/tet:te" {
    when '../nw:network-types/tet:te-topology/'
      + 'ex-topo:example-topology' {

```

```

    description
      "Augmentation parameters apply only for networks with an
      example topology type.";
  }
  description
    "Augmentation for the network topology.";
  container attributes {
    description
      "Attributes for the example technology.";
    leaf attribute-1 {
      type uint8;
      description
        "Attribute 1 for the example technology.";
    }
  }
}

augment "/nw:networks/nw:network/nw:node/tet:te/"
  + "tet:te-node-attributes" {
  when '../..../nw:network-types/tet:te-topology/'
  + 'ex-topo:example-topology' {
    description
      "Augmentation parameters apply only for networks with an
      example topology type.";
  }
  description
    "Augmentation for node attributes.";
  container attributes {
    description
      "Attributes for the example technology.";
    leaf attribute-2 {
      type uint8;
      description
        "Attribute 2 for the example technology.";
    }
  }
}

augment "/nw:networks/nw:network/nw:node/tet:te/"
  + "tet:te-node-attributes/tet:connectivity-matrices" {
  when '../..../nw:network-types/tet:te-topology/'
  + 'ex-topo:example-topology' {
    description
      "Augmentation parameters apply only for networks with an
      example topology type.";
  }
  description
    "Augmentation for node connectivity matrices.";
  container attributes {
    description
      "Attributes for the example technology.";
    leaf attribute-3 {
      type uint8;
      description
        "Attribute 3 for the example technology.";
    }
  }
}

```

```

augment "/nw:networks/nw:network/nw:node/tet:te/"
  + "tet:te-node-attributes/tet:connectivity-matrices/"
  + "tet:connectivity-matrix" {
when '../..../nw:network-types/tet:te-topology/'
  + 'ex-topo:example-topology' {
  description
    "Augmentation parameters apply only for networks with an
    example topology type.";
}
description
  "Augmentation for the node connectivity matrix.";
container attributes {
  description
    "Attributes for the example technology.";
  leaf attribute-3 {
    type uint8;
    description
      "Attribute 3 for the example technology.";
  }
}
}

augment "/nw:networks/nw:network/nw:node/tet:te/"
  + "tet:tunnel-termination-point" {
when '../..../nw:network-types/tet:te-topology/'
  + 'ex-topo:example-topology' {
  description
    "Augmentation parameters apply only for networks with an
    example topology type.";
}
description
  "Augmentation for a TTP.";
container attributes {
  description
    "Attributes for the example technology.";
  leaf attribute-4 {
    type uint8;
    description
      "Attribute 4 for the example technology.";
  }
}
}

augment "/nw:networks/nw:network/nw:node/nt:termination-point/"
  + "tet:te" {
when '../..../nw:network-types/tet:te-topology/'
  + 'ex-topo:example-topology' {
  description
    "Augmentation parameters apply only for networks with an
    example topology type.";
}
description
  "Augmentation for an LTP.";
container attributes {
  description
    "Attributes for the example technology.";
  leaf attribute-5 {

```

```

        type uint8;
        description
            "Attribute 5 for the example technology.";
    }
}
}

augment "/nw:networks/nw:network/nt:link/tet:te/"
    + "tet:te-link-attributes" {
    when '../..../nw:network-types/tet:te-topology/'
        + 'ex-topo:example-topology' {
        description
            "Augmentation parameters apply only for networks with an
            example topology type.";
    }
    description
        "Augmentation for link attributes.";
    container attributes {
        description
            "Attributes for the example technology.";
        leaf attribute-6 {
            type uint8;
            description
                "Attribute 6 for the example technology.";
        }
    }
}

/*
 * Augmentations for TE bandwidth.
 */

augment "/nw:networks/tet:te/tet:templates/"
    + "tet:link-template/tet:te-link-attributes/"
    + "tet:interface-switching-capability/tet:max-lsp-bandwidth/"
    + "tet:te-bandwidth/tet:technology" {
    case example {
        container example {
            description
                "Attributes for the example technology.";
            leaf bandwidth-1 {
                type uint32;
                description
                    "Bandwidth 1 for the example technology.";
            }
        }
    }
    description
        "Augmentation for TE bandwidth.";
}

augment "/nw:networks/tet:te/tet:templates/"
    + "tet:link-template/tet:te-link-attributes/"
    + "tet:max-link-bandwidth/"
    + "tet:te-bandwidth/tet:technology" {
    case example {
        container example {
            description

```

```

        "Attributes for the example technology.";
        leaf bandwidth-1 {
            type uint32;
            description
                "Bandwidth 1 for the example technology.";
        }
    }
}
description
    "Augmentation for TE bandwidth.";
}

augment "/nw:networks/tet:te/tet:templates/"
    + "tet:link-template/tet:te-link-attributes/"
    + "tet:max-resv-link-bandwidth/"
    + "tet:te-bandwidth/tet:technology" {
    case example {
        container example {
            description
                "Attributes for the example technology.";
            leaf bandwidth-1 {
                type uint32;
                description
                    "Bandwidth 1 for the example technology.";
            }
        }
    }
}
description
    "Augmentation for TE bandwidth.";
}

augment "/nw:networks/tet:te/tet:templates/"
    + "tet:link-template/tet:te-link-attributes/"
    + "tet:unreserved-bandwidth/"
    + "tet:te-bandwidth/tet:technology" {
    case example {
        container example {
            description
                "Attributes for the example technology.";
            leaf bandwidth-1 {
                type uint32;
                description
                    "Bandwidth 1 for the example technology.";
            }
        }
    }
}
description
    "Augmentation for TE bandwidth.";
}

augment "/nw:networks/nw:network/nw:node/tet:te/"
    + "tet:te-node-attributes/tet:connectivity-matrices/"
    + "tet:path-constraints/tet:te-bandwidth/tet:technology" {
    when '../..../nw:network-types/tet:te-topology/'
        + 'ex-topo:example-topology' {
        description
            "Augmentation parameters apply only for networks with an
            example topology type.";
    }
}

```

```

    }
    case example {
      container example {
        description
          "Attributes for the example technology.";
        leaf bandwidth-1 {
          type uint32;
          description
            "Bandwidth 1 for the example technology.";
        }
      }
    }
  }
  description
    "Augmentation for TE bandwidth.";
}

augment "/nw:networks/nw:network/nw:node/tet:te/"
+ "tet:te-node-attributes/tet:connectivity-matrices/"
+ "tet:connectivity-matrix/"
+ "tet:path-constraints/tet:te-bandwidth/tet:technology" {
when '../..../nw:network-types/tet:te-topology/'
+ 'ex-topo:example-topology' {
  description
    "Augmentation parameters apply only for networks with an
    example topology type.";
}
case example {
  container example {
    description
      "Attributes for the example technology.";
    leaf bandwidth-1 {
      type uint32;
      description
        "Bandwidth 1 for the example technology.";
    }
  }
}
description
  "Augmentation for TE bandwidth.";
}

augment "/nw:networks/nw:network/nw:node/tet:te/"
+ "tet:information-source-entry/tet:connectivity-matrices/"
+ "tet:path-constraints/tet:te-bandwidth/tet:technology" {
when '../..../nw:network-types/tet:te-topology/'
+ 'ex-topo:example-topology' {
  description
    "Augmentation parameters apply only for networks with an
    example topology type.";
}
case example {
  container example {
    description
      "Attributes for the example technology.";
    leaf bandwidth-1 {
      type uint32;
      description
        "Bandwidth 1 for the example technology.";
    }
  }
}

```



```

    }
  }
}
description
  "Augmentation for TE bandwidth.";
}

augment "/nw:networks/nw:network/nw:node/tet:te/"
  + "tet:information-source-entry/tet:connectivity-matrices/"
  + "tet:connectivity-matrix/"
  + "tet:path-constraints/tet:te-bandwidth/tet:technology" {
when '../..../nw:network-types/tet:te-topology/'
  + 'ex-topo:example-topology' {
  description
    "Augmentation parameters apply only for networks with an
    example topology type.";
}
case example {
  container example {
    description
      "Attributes for the example technology.";
    leaf bandwidth-1 {
      type uint32;
      description
        "Bandwidth 1 for the example technology.";
    }
  }
}
}
description
  "Augmentation for TE bandwidth.";
}

augment "/nw:networks/nw:network/nw:node/tet:te/"
  + "tet:tunnel-termination-point/"
  + "tet:client-layer-adaptation/tet:switching-capability/"
  + "tet:te-bandwidth/tet:technology" {
when '../..../nw:network-types/tet:te-topology/'
  + 'ex-topo:example-topology' {
  description
    "Augmentation parameters apply only for networks with an
    example topology type.";
}
case example {
  container example {
    description
      "Attributes for the example technology.";
    leaf bandwidth-1 {
      type uint32;
      description
        "Bandwidth 1 for the example technology.";
    }
  }
}
}
description
  "Augmentation for TE bandwidth.";
}

augment "/nw:networks/nw:network/nw:node/tet:te/"

```

```

    + "tet:tunnel-termination-point/"
    + "tet:local-link-connectivities/tet:path-constraints/"
    + "tet:te-bandwidth/tet:technology" {
when '../../../../../../../../../nw:network-types/tet:te-topology/'
+ 'ex-topo:example-topology' {
  description
    "Augmentation parameters apply only for networks with an
    example topology type.";
}
case example {
  container example {
    description
      "Attributes for the example technology.";
    leaf bandwidth-1 {
      type uint32;
      description
        "Bandwidth 1 for the example technology.";
    }
  }
}
description
  "Augmentation for TE bandwidth.";
}

augment "/nw:networks/nw:network/nw:node/tet:te/"
+ "tet:tunnel-termination-point/"
+ "tet:local-link-connectivities/"
+ "tet:local-link-connectivity/tet:path-constraints/"
+ "tet:te-bandwidth/tet:technology" {
when '../../../../../../../../../nw:network-types/tet:te-topology/'
+ 'ex-topo:example-topology' {
  description
    "Augmentation parameters apply only for networks with an
    example topology type.";
}
case example {
  container example {
    description
      "Attributes for the example technology.";
    leaf bandwidth-1 {
      type uint32;
      description
        "Bandwidth 1 for the example technology.";
    }
  }
}
description
  "Augmentation for TE bandwidth.";
}

augment "/nw:networks/nw:network/nt:link/tet:te/"
+ "tet:te-link-attributes/"
+ "tet:interface-switching-capability/tet:max-lsp-bandwidth/"
+ "tet:te-bandwidth/tet:technology" {
when '../../../../../../../../../nw:network-types/tet:te-topology/'
+ 'ex-topo:example-topology' {
  description
    "Augmentation parameters apply only for networks with an

```

```

        example topology type.";
    }
    case example {
        container example {
            description
                "Attributes for the example technology.";
            leaf bandwidth-1 {
                type uint32;
                description
                    "Bandwidth 1 for the example technology.";
            }
        }
    }
    description
        "Augmentation for TE bandwidth.";
}

augment "/nw:networks/nw:network/nt:link/tet:te/"
    + "tet:te-link-attributes/"
    + "tet:max-link-bandwidth/"
    + "tet:te-bandwidth/tet:technology" {
    when '../..../..../nw:network-types/tet:te-topology/'
        + 'ex-topo:example-topology' {
        description
            "Augmentation parameters apply only for networks with an
            example topology type.";
    }
    case example {
        container example {
            description
                "Attributes for the example technology.";
            leaf bandwidth-1 {
                type uint32;
                description
                    "Bandwidth 1 for the example technology.";
            }
        }
    }
    description
        "Augmentation for TE bandwidth.";
}

augment "/nw:networks/nw:network/nt:link/tet:te/"
    + "tet:te-link-attributes/"
    + "tet:max-resv-link-bandwidth/"
    + "tet:te-bandwidth/tet:technology" {
    when '../..../..../nw:network-types/tet:te-topology/'
        + 'ex-topo:example-topology' {
        description
            "Augmentation parameters apply only for networks with an
            example topology type.";
    }
    case example {
        container example {
            description
                "Attributes for the example technology.";
            leaf bandwidth-1 {
                type uint32;
            }
        }
    }
}

```

```

        description
            "Bandwidth 1 for the example technology.";
    }
}
}
description
    "Augmentation for TE bandwidth.";
}

augment "/nw:networks/nw:network/nt:link/tet:te/"
    + "tet:information-source-entry/"
    + "tet:interface-switching-capability/tet:max-lsp-bandwidth/"
    + "tet:te-bandwidth/tet:technology" {
    when '../..../..../nw:network-types/tet:te-topology/'
        + 'ex-topo:example-topology' {
        description
            "Augmentation parameters apply only for networks with an
            example topology type.";
    }
    case example {
        container example {
            description
                "Attributes for the example technology.";
            leaf bandwidth-1 {
                type uint32;
                description
                    "Bandwidth 1 for the example technology.";
            }
        }
    }
}
description
    "Augmentation for TE bandwidth.";
}

augment "/nw:networks/nw:network/nt:link/tet:te/"
    + "tet:information-source-entry/"
    + "tet:max-link-bandwidth/"
    + "tet:te-bandwidth/tet:technology" {
    when '../..../..../nw:network-types/tet:te-topology/'
        + 'ex-topo:example-topology' {
        description
            "Augmentation parameters apply only for networks with an
            example topology type.";
    }
    case example {
        container example {
            description
                "Attributes for the example technology.";
            leaf bandwidth-1 {
                type uint32;
                description
                    "Bandwidth 1 for the example technology.";
            }
        }
    }
}
description
    "Augmentation for TE bandwidth.";
}
}

```

```

augment "/nw:networks/nw:network/nt:link/tet:te/"
  + "tet:information-source-entry/"
  + "tet:max-resv-link-bandwidth/"
  + "tet:te-bandwidth/tet:technology" {
when '../..../..../nw:network-types/tet:te-topology/'
  + 'ex-topo:example-topology' {
  description
    "Augmentation parameters apply only for networks with an
    example topology type.";
}
case example {
  container example {
    description
      "Attributes for the example technology.";
    leaf bandwidth-1 {
      type uint32;
      description
        "Bandwidth 1 for the example technology.";
    }
  }
}
description
  "Augmentation for TE bandwidth.";
}

augment "/nw:networks/nw:network/nt:link/tet:te/"
  + "tet:information-source-entry/"
  + "tet:unreserved-bandwidth/"
  + "tet:te-bandwidth/tet:technology" {
when '../..../..../nw:network-types/tet:te-topology/'
  + 'ex-topo:example-topology' {
  description
    "Augmentation parameters apply only for networks with an
    example topology type.";
}
case example {
  container example {
    description
      "Attributes for the example technology.";
    leaf bandwidth-1 {
      type uint32;
      description
        "Bandwidth 1 for the example technology.";
    }
  }
}
description
  "Augmentation for TE bandwidth.";
}

augment "/nw:networks/nw:network/nw:node/nt:termination-point/"
  + "tet:te/tet:interface-switching-capability/"
  + "tet:max-lsp-bandwidth/tet:te-bandwidth/tet:technology" {
when '../..../..../nw:network-types/tet:te-topology/'
  + 'ex-topo:example-topology' {
  description
    "Augmentation parameters apply only for networks with an

```

```

        example topology type.";
    }
    case example {
        container example {
            description
                "Attributes for the example technology.";
            leaf bandwidth-1 {
                type uint32;
                description
                    "Bandwidth 1 for the example technology.";
            }
        }
    }
    description
        "Augmentation for TE bandwidth.";
}

/*
 * Augmentations for the TE label.
 */

augment "/nw:networks/tet:te/tet:templates/"
    + "tet:link-template/tet:te-link-attributes/"
    + "tet:underlay/tet:primary-path/tet:path-element/tet:type/"
    + "tet:label/tet:label-hop/tet:te-label/tet:technology" {
    case example {
        container example {
            description
                "Attributes for the example technology.";
            leaf label-1 {
                type uint32;
                description
                    "Label 1 for the example technology.";
            }
        }
    }
    description
        "Augmentation for the TE label.";
}

augment "/nw:networks/tet:te/tet:templates/"
    + "tet:link-template/tet:te-link-attributes/"
    + "tet:underlay/tet:backup-path/tet:path-element/tet:type/"
    + "tet:label/tet:label-hop/tet:te-label/tet:technology" {
    case example {
        container example {
            description
                "Attributes for the example technology.";
            leaf label-1 {
                type uint32;
                description
                    "Label 1 for the example technology.";
            }
        }
    }
    description
        "Augmentation for the TE label.";
}

```

```

augment "/nw:networks/tet:te/tet:templates/"
  + "tet:link-template/tet:te-link-attributes/"
  + "tet:label-restrictions/tet:label-restriction/"
  + "tet:label-start/tet:te-label/tet:technology" {
  case example {
    container example {
      description
        "Attributes for the example technology.";
      leaf label-1 {
        type uint32;
        description
          "Label 1 for the example technology.";
      }
    }
  }
  description
    "Augmentation for the TE label.";
}

augment "/nw:networks/tet:te/tet:templates/"
  + "tet:link-template/tet:te-link-attributes/"
  + "tet:label-restrictions/tet:label-restriction/"
  + "tet:label-end/tet:te-label/tet:technology" {
  case example {
    container example {
      description
        "Attributes for the example technology.";
      leaf label-1 {
        type uint32;
        description
          "Label 1 for the example technology.";
      }
    }
  }
  description
    "Augmentation for the TE label.";
}

/* Under te-node-attributes/connectivity-matrices */

augment "/nw:networks/nw:network/nw:node/tet:te/"
  + "tet:te-node-attributes/tet:connectivity-matrices/"
  + "tet:label-restrictions/tet:label-restriction/"
  + "tet:label-start/tet:te-label/tet:technology" {
  when '../..../..../..../nw:network-types/tet:te-topology/'
  + 'ex-topo:example-topology' {
    description
      "Augmentation parameters apply only for networks with an
      example topology type.";
  }
  case example {
    container example {
      description
        "Attributes for the example technology.";
      leaf label-1 {
        type uint32;
        description

```

```

        "Label 1 for the example technology.";
    }
}
}
description
  "Augmentation for the TE label.";
}

augment "/nw:networks/nw:network/nw:node/tet:te/"
  + "tet:te-node-attributes/tet:connectivity-matrices/"
  + "tet:label-restrictions/tet:label-restriction/"
  + "tet:label-end/tet:te-label/tet:technology" {
  when '../..../..../..../..../..../nw:network-types/tet:te-topology/'
  + 'ex-topo:example-topology' {
    description
      "Augmentation parameters apply only for networks with an
      example topology type.";
  }
  case example {
    container example {
      description
        "Attributes for the example technology.";
      leaf label-1 {
        type uint32;
        description
          "Label 1 for the example technology.";
      }
    }
  }
}
description
  "Augmentation for the TE label.";
}

augment "/nw:networks/nw:network/nw:node/tet:te/"
  + "tet:te-node-attributes/tet:connectivity-matrices/"
  + "tet:underlay/tet:primary-path/tet:path-element/tet:type/"
  + "tet:label/tet:label-hop/tet:te-label/tet:technology" {
  when '../..../..../..../..../..../nw:network-types/'
  + 'tet:te-topology/ex-topo:example-topology' {
    description
      "Augmentation parameters apply only for networks with an
      example topology type.";
  }
  case example {
    container example {
      description
        "Attributes for the example technology.";
      leaf label-1 {
        type uint32;
        description
          "Label 1 for the example technology.";
      }
    }
  }
}
description
  "Augmentation for the TE label.";
}

```



```

augment "/nw:networks/nw:network/nw:node/tet:te/"
  + "tet:te-node-attributes/tet:connectivity-matrices/"
  + "tet:underlay/tet:backup-path/tet:path-element/tet:type/"
  + "tet:label/tet:label-hop/tet:te-label/tet:technology" {
when '../..../..../..../..../..../..../nw:network-types/'
  + 'tet:te-topology/ex-topo:example-topology' {
  description
    "Augmentation parameters apply only for networks with an
    example topology type.";
}
case example {
  container example {
    description
      "Attributes for the example technology.";
    leaf label-1 {
      type uint32;
      description
        "Label 1 for the example technology.";
    }
  }
}
description
  "Augmentation for the TE label.";
}

augment "/nw:networks/nw:network/nw:node/tet:te/"
  + "tet:te-node-attributes/tet:connectivity-matrices/"
  + "tet:path-properties/tet:path-route-objects/"
  + "tet:path-route-object/tet:type/"
  + "tet:label/tet:label-hop/tet:te-label/tet:technology" {
when '../..../..../..../..../..../..../nw:network-types/'
  + 'tet:te-topology/ex-topo:example-topology' {
  description
    "Augmentation parameters apply only for networks with an
    example topology type.";
}
case example {
  container example {
    description
      "Attributes for the example technology.";
    leaf label-1 {
      type uint32;
      description
        "Label 1 for the example technology.";
    }
  }
}
description
  "Augmentation for the TE label.";
}

/* Under te-node-attributes/.../connectivity-matrix */

augment "/nw:networks/nw:network/nw:node/tet:te/"
  + "tet:te-node-attributes/tet:connectivity-matrices/"
  + "tet:connectivity-matrix/tet:from/tet:label-restrictions/"
  + "tet:label-restriction/tet:label-start/"
  + "tet:te-label/tet:technology" {

```

```
when '../../../../../../../../../../../../../nw:network-types/'
  + 'tet:te-topology/ex-topo:example-topology' {
  description
    "Augmentation parameters apply only for networks with an
    example topology type.";
}
case example {
  container example {
    description
      "Attributes for the example technology.";
    leaf label-1 {
      type uint32;
      description
        "Label 1 for the example technology.";
    }
  }
}
description
  "Augmentation for the TE label.";
}

augment "/nw:networks/nw:network/nw:node/tet:te/"
  + "tet:te-node-attributes/tet:connectivity-matrices/"
  + "tet:connectivity-matrix/tet:from/"
  + "tet:label-restrictions/tet:label-restriction/"
  + "tet:label-end/tet:te-label/tet:technology" {
when '../../../../../../../../../nw:network-types/'
  + 'tet:te-topology/ex-topo:example-topology' {
  description
    "Augmentation parameters apply only for networks with an
    example topology type.";
}
case example {
  container example {
    description
      "Attributes for the example technology.";
    leaf label-1 {
      type uint32;
      description
        "Label 1 for the example technology.";
    }
  }
}
description
  "Augmentation for the TE label.";
}

augment "/nw:networks/nw:network/nw:node/tet:te/"
  + "tet:te-node-attributes/tet:connectivity-matrices/"
  + "tet:connectivity-matrix/tet:to/tet:label-restrictions/"
  + "tet:label-restriction/tet:label-start/"
  + "tet:te-label/tet:technology" {
when '../../../../../../../../../nw:network-types/'
  + 'tet:te-topology/ex-topo:example-topology' {
  description
    "Augmentation parameters apply only for networks with an
    example topology type.";
}
}
```

```

    case example {
      container example {
        description
          "Attributes for the example technology.";
        leaf label-1 {
          type uint32;
          description
            "Label 1 for the example technology.";
        }
      }
    }
  }
  description
    "Augmentation for the TE label.";
}

augment "/nw:networks/nw:network/nw:node/tet:te/"
+ "tet:te-node-attributes/tet:connectivity-matrices/"
+ "tet:connectivity-matrix/tet:to/"
+ "tet:label-restrictions/tet:label-restriction/"
+ "tet:label-end/tet:te-label/tet:technology" {
when '../..../nw:network-types/'
+ 'tet:te-topology/ex-topo:example-topology' {
  description
    "Augmentation parameters apply only for networks with an
    example topology type.";
}
}
case example {
  container example {
    description
      "Attributes for the example technology.";
    leaf label-1 {
      type uint32;
      description
        "Label 1 for the example technology.";
    }
  }
}
}
description
  "Augmentation for the TE label.";
}

augment "/nw:networks/nw:network/nw:node/tet:te/"
+ "tet:te-node-attributes/tet:connectivity-matrices/"
+ "tet:connectivity-matrix/"
+ "tet:underlay/tet:primary-path/tet:path-element/tet:type/"
+ "tet:label/tet:label-hop/tet:te-label/tet:technology" {
when '../..../nw:network-types/'
+ 'tet:te-topology/ex-topo:example-topology' {
  description
    "Augmentation parameters apply only for networks with an
    example topology type.";
}
}
case example {
  container example {
    description
      "Attributes for the example technology.";
    leaf label-1 {
      type uint32;
    }
  }
}
}

```

```

        description
            "Label 1 for the example technology.";
    }
}
}
description
    "Augmentation for the TE label.";
}

augment "/nw:networks/nw:network/nw:node/tet:te/"
    + "tet:te-node-attributes/tet:connectivity-matrices/"
    + "tet:connectivity-matrix/"
    + "tet:underlay/tet:backup-path/tet:path-element/tet:type/"
    + "tet:label/tet:label-hop/tet:te-label/tet:technology" {
    when '../..../nw:network-types/'
        + 'tet:te-topology/ex-topo:example-topology' {
        description
            "Augmentation parameters apply only for networks with an
            example topology type.";
    }
    case example {
        container example {
            description
                "Attributes for the example technology.";
            leaf label-1 {
                type uint32;
                description
                    "Label 1 for the example technology.";
            }
        }
    }
}
description
    "Augmentation for the TE label.";
}

augment "/nw:networks/nw:network/nw:node/tet:te/"
    + "tet:te-node-attributes/tet:connectivity-matrices/"
    + "tet:connectivity-matrix/"
    + "tet:path-properties/tet:path-route-objects/"
    + "tet:path-route-object/tet:type/"
    + "tet:label/tet:label-hop/tet:te-label/tet:technology" {
    when '../..../nw:network-types/'
        + 'tet:te-topology/ex-topo:example-topology' {
        description
            "Augmentation parameters apply only for networks with an
            example topology type.";
    }
    case example {
        container example {
            description
                "Attributes for the example technology.";
            leaf label-1 {
                type uint32;
                description
                    "Label 1 for the example technology.";
            }
        }
    }
}
}
}

```

```

    description
      "Augmentation for the TE label.";
  }

/* Under information-source-entry/connectivity-matrices */

augment "/nw:networks/nw:network/nw:node/tet:te/"
  + "tet:information-source-entry/tet:connectivity-matrices/"
  + "tet:label-restrictions/tet:label-restriction/"
  + "tet:label-start/tet:te-label/tet:technology" {
  when '../..../..../..../..../..../nw:network-types/tet:te-topology/'
  + 'ex-topo:example-topology' {
    description
      "Augmentation parameters apply only for networks with an
      example topology type.";
  }
  case example {
    container example {
      description
        "Attributes for the example technology.";
      leaf label-1 {
        type uint32;
        description
          "Label 1 for the example technology.";
      }
    }
  }
  description
    "Augmentation for the TE label.";
}

augment "/nw:networks/nw:network/nw:node/tet:te/"
  + "tet:information-source-entry/tet:connectivity-matrices/"
  + "tet:label-restrictions/tet:label-restriction/"
  + "tet:label-end/tet:te-label/tet:technology" {
  when '../..../..../..../..../..../nw:network-types/tet:te-topology/'
  + 'ex-topo:example-topology' {
    description
      "Augmentation parameters apply only for networks with an
      example topology type.";
  }
  case example {
    container example {
      description
        "Attributes for the example technology.";
      leaf label-1 {
        type uint32;
        description
          "Label 1 for the example technology.";
      }
    }
  }
  description
    "Augmentation for the TE label.";
}

augment "/nw:networks/nw:network/nw:node/tet:te/"
  + "tet:information-source-entry/tet:connectivity-matrices/"

```

```

    + "tet:underlay/tet:primary-path/tet:path-element/tet:type/"
    + "tet:label/tet:label-hop/tet:te-label/tet:technology" {
when '../../../../../../../../../../../../../nw:network-types/'
+ 'tet:te-topology/ex-topo:example-topology' {
  description
    "Augmentation parameters apply only for networks with an
    example topology type.";
}
case example {
  container example {
    description
      "Attributes for the example technology.";
    leaf label-1 {
      type uint32;
      description
        "Label 1 for the example technology.";
    }
  }
}
description
  "Augmentation for the TE label.";
}

augment "/nw:networks/nw:network/nw:node/tet:te/"
+ "tet:information-source-entry/tet:connectivity-matrices/"
+ "tet:underlay/tet:backup-path/tet:path-element/tet:type/"
+ "tet:label/tet:label-hop/tet:te-label/tet:technology" {
when '../../../../../../../../../../../../../nw:network-types/'
+ 'tet:te-topology/ex-topo:example-topology' {
  description
    "Augmentation parameters apply only for networks with an
    example topology type.";
}
case example {
  container example {
    description
      "Attributes for the example technology.";
    leaf label-1 {
      type uint32;
      description
        "Label 1 for the example technology.";
    }
  }
}
description
  "Augmentation for the TE label.";
}

augment "/nw:networks/nw:network/nw:node/tet:te/"
+ "tet:information-source-entry/tet:connectivity-matrices/"
+ "tet:path-properties/tet:path-route-objects/"
+ "tet:path-route-object/tet:type/"
+ "tet:label/tet:label-hop/tet:te-label/tet:technology" {
when '../../../../../../../../../../../../../nw:network-types/'
+ 'tet:te-topology/ex-topo:example-topology' {
  description
    "Augmentation parameters apply only for networks with an
    example topology type.";
}

```

```
}
case example {
  container example {
    description
      "Attributes for the example technology.";
    leaf label-1 {
      type uint32;
      description
        "Label 1 for the example technology.";
    }
  }
}
description
  "Augmentation for the TE label.";
}

/* Under information-source-entry/.../connectivity-matrix */

augment "/nw:networks/nw:network/nw:node/tet:te/"
+ "tet:information-source-entry/tet:connectivity-matrices/"
+ "tet:connectivity-matrix/tet:from/"
+ "tet:label-restrictions/tet:label-restriction/"
+ "tet:label-start/tet:te-label/tet:technology" {
when '../..../nw:network-types/'
+ 'tet:te-topology/ex-topo:example-topology' {
  description
    "Augmentation parameters apply only for networks with an
    example topology type.";
}
case example {
  container example {
    description
      "Attributes for the example technology.";
    leaf label-1 {
      type uint32;
      description
        "Label 1 for the example technology.";
    }
  }
}
description
  "Augmentation for the TE label.";
}

augment "/nw:networks/nw:network/nw:node/tet:te/"
+ "tet:information-source-entry/tet:connectivity-matrices/"
+ "tet:connectivity-matrix/tet:from/"
+ "tet:label-restrictions/tet:label-restriction/"
+ "tet:label-end/tet:te-label/tet:technology" {
when '../..../nw:network-types/'
+ 'tet:te-topology/ex-topo:example-topology' {
  description
    "Augmentation parameters apply only for networks with an
    example topology type.";
}
case example {
  container example {
    description

```

```

        "Attributes for the example technology.";
        leaf label-1 {
            type uint32;
            description
                "Label 1 for the example technology.";
        }
    }
}
description
    "Augmentation for the TE label.";
}

augment "/nw:networks/nw:network/nw:node/tet:te/"
    + "tet:information-source-entry/tet:connectivity-matrices/"
    + "tet:connectivity-matrix/tet:to/"
    + "tet:label-restrictions/tet:label-restriction/"
    + "tet:label-start/tet:te-label/tet:technology" {
    when '../..../..../..../..../..../..../..../nw:network-types/'
    + 'tet:te-topology/ex-topo:example-topology' {
        description
            "Augmentation parameters apply only for networks with an
            example topology type.";
    }
    case example {
        container example {
            description
                "Attributes for the example technology.";
            leaf label-1 {
                type uint32;
                description
                    "Label 1 for the example technology.";
            }
        }
    }
}
description
    "Augmentation for the TE label.";
}

augment "/nw:networks/nw:network/nw:node/tet:te/"
    + "tet:information-source-entry/tet:connectivity-matrices/"
    + "tet:connectivity-matrix/tet:to/"
    + "tet:label-restrictions/tet:label-restriction/"
    + "tet:label-end/tet:te-label/tet:technology" {
    when '../..../..../..../..../..../..../..../nw:network-types/'
    + 'tet:te-topology/ex-topo:example-topology' {
        description
            "Augmentation parameters apply only for networks with an
            example topology type.";
    }
    case example {
        container example {
            description
                "Attributes for the example technology.";
            leaf label-1 {
                type uint32;
                description
                    "Label 1 for the example technology.";
            }
        }
    }
}

```



```

    }
  }
  description
    "Augmentation for the TE label.";
}

augment "/nw:networks/nw:network/nw:node/tet:te/"
  + "tet:information-source-entry/tet:connectivity-matrices/"
  + "tet:connectivity-matrix/"
  + "tet:underlay/tet:primary-path/tet:path-element/tet:type/"
  + "tet:label/tet:label-hop/tet:te-label/tet:technology" {
  when '../..../nw:network-types/'
  + 'tet:te-topology/ex-topo:example-topology' {
    description
      "Augmentation parameters apply only for networks with an
      example topology type.";
  }
  case example {
    container example {
      description
        "Attributes for the example technology.";
      leaf label-1 {
        type uint32;
        description
          "Label 1 for the example technology.";
      }
    }
  }
}
description
  "Augmentation for the TE label.";
}

augment "/nw:networks/nw:network/nw:node/tet:te/"
  + "tet:information-source-entry/tet:connectivity-matrices/"
  + "tet:connectivity-matrix/"
  + "tet:underlay/tet:backup-path/tet:path-element/tet:type/"
  + "tet:label/tet:label-hop/tet:te-label/tet:technology" {
  when '../..../nw:network-types/'
  + 'tet:te-topology/ex-topo:example-topology' {
    description
      "Augmentation parameters apply only for networks with an
      example topology type.";
  }
  case example {
    container example {
      description
        "Attributes for the example technology.";
      leaf label-1 {
        type uint32;
        description
          "Label 1 for the example technology.";
      }
    }
  }
}
description
  "Augmentation for the TE label.";
}

```

```

augment "/nw:networks/nw:network/nw:node/tet:te/"
+ "tet:information-source-entry/tet:connectivity-matrices/"
+ "tet:connectivity-matrix/"
+ "tet:path-properties/tet:path-route-objects/"
+ "tet:path-route-object/tet:type/"
+ "tet:label/tet:label-hop/tet:te-label/tet:technology" {
when '../..../..../..../..../..../..../..../nw:network-types/'
+ 'tet:te-topology/ex-topo:example-topology' {
description
  "Augmentation parameters apply only for networks with an
  example topology type.";
}
case example {
  container example {
    description
      "Attributes for the example technology.";
    leaf label-1 {
      type uint32;
      description
        "Label 1 for the example technology.";
    }
  }
}
description
  "Augmentation for the TE label.";
}

/* Under tunnel-termination-point/local-link-connectivities */

augment "/nw:networks/nw:network/nw:node/tet:te/"
+ "tet:tunnel-termination-point/"
+ "tet:local-link-connectivities/tet:label-restrictions/"
+ "tet:label-restriction/tet:label-start/tet:te-label/"
+ "tet:technology" {
when '../..../..../..../..../..../nw:network-types/tet:te-topology/'
+ 'ex-topo:example-topology' {
description
  "Augmentation parameters apply only for networks with an
  example topology type.";
}
case example {
  container example {
    description
      "Attributes for the example technology.";
    leaf label-1 {
      type uint32;
      description
        "Label 1 for the example technology.";
    }
  }
}
description
  "Augmentation for the TE label.";
}

augment "/nw:networks/nw:network/nw:node/tet:te/"
+ "tet:tunnel-termination-point/"
+ "tet:local-link-connectivities/tet:label-restrictions/"

```

```

    + "tet:label-restriction/tet:label-end/"
    + "tet:te-label/tet:technology" {
when '../.../.../.../.../.../.../.../.../.../.../.../.../.../.../.../.../.../.../.../.../.../.../...'
+ 'ex-topo:example-topology' {
  description
    "Augmentation parameters apply only for networks with an
    example topology type.";
}
case example {
  container example {
    description
      "Attributes for the example technology.";
    leaf label-1 {
      type uint32;
      description
        "Label 1 for the example technology.";
    }
  }
}
}
description
  "Augmentation for the TE label.";
}

augment "/nw:networks/nw:network/nw:node/tet:te/"
+ "tet:tunnel-termination-point/"
+ "tet:local-link-connectivities/tet:underlay/"
+ "tet:primary-path/tet:path-element/tet:type/"
+ "tet:label/tet:label-hop/tet:te-label/tet:technology" {
when '../.../.../.../.../.../.../.../.../.../.../.../.../.../.../.../.../.../.../.../.../.../.../...'
+ 'tet:te-topology/ex-topo:example-topology' {
  description
    "Augmentation parameters apply only for networks with an
    example topology type.";
}
case example {
  container example {
    description
      "Attributes for the example technology.";
    leaf label-1 {
      type uint32;
      description
        "Label 1 for the example technology.";
    }
  }
}
}
description
  "Augmentation for the TE label.";
}

augment "/nw:networks/nw:network/nw:node/tet:te/"
+ "tet:tunnel-termination-point/"
+ "tet:local-link-connectivities/tet:underlay/"
+ "tet:backup-path/tet:path-element/tet:type/"
+ "tet:label/tet:label-hop/tet:te-label/tet:technology" {
when '../.../.../.../.../.../.../.../.../.../.../.../.../.../.../.../.../.../.../.../.../.../.../...'
+ 'tet:te-topology/ex-topo:example-topology' {
  description
    "Augmentation parameters apply only for networks with an

```

```

        example topology type.";
    }
    case example {
        container example {
            description
                "Attributes for the example technology.";
            leaf label-1 {
                type uint32;
                description
                    "Label 1 for the example technology.";
            }
        }
    }
    description
        "Augmentation for the TE label.";
}

augment "/nw:networks/nw:network/nw:node/tet:te/"
+ "tet:tunnel-termination-point/"
+ "tet:local-link-connectivities/tet:path-properties/"
+ "tet:path-route-objects/tet:path-route-object/tet:type/"
+ "tet:label/tet:label-hop/tet:te-label/tet:technology" {
when '../..../nw:network-types/'
+ 'tet:te-topology/ex-topo:example-topology' {
    description
        "Augmentation parameters apply only for networks with an
        example topology type.";
}
case example {
    container example {
        description
            "Attributes for the example technology.";
        leaf label-1 {
            type uint32;
            description
                "Label 1 for the example technology.";
        }
    }
}
description
    "Augmentation for the TE label.";
}

/* Under tunnel-termination-point/.../local-link-connectivity */

augment "/nw:networks/nw:network/nw:node/tet:te/"
+ "tet:tunnel-termination-point/"
+ "tet:local-link-connectivities/"
+ "tet:local-link-connectivity/tet:label-restrictions/"
+ "tet:label-restriction/tet:label-start/"
+ "tet:te-label/tet:technology" {
when '../..../nw:network-types/'
+ 'tet:te-topology/ex-topo:example-topology' {
    description
        "Augmentation parameters apply only for networks with an
        example topology type.";
}
case example {

```

```

    container example {
      description
        "Attributes for the example technology.";
      leaf label-1 {
        type uint32;
        description
          "Label 1 for the example technology.";
      }
    }
  }
  description
    "Augmentation for the TE label.";
}

augment "/nw:networks/nw:network/nw:node/tet:te/"
+ "tet:tunnel-termination-point/"
+ "tet:local-link-connectivities/"
+ "tet:local-link-connectivity/tet:label-restrictions/"
+ "tet:label-restriction/tet:label-end/"
+ "tet:te-label/tet:technology" {
when '../..../nw:network-types/'
+ 'tet:te-topology/ex-topo:example-topology' {
  description
    "Augmentation parameters apply only for networks with an
    example topology type.";
}
case example {
  container example {
    description
      "Attributes for the example technology.";
    leaf label-1 {
      type uint32;
      description
        "Label 1 for the example technology.";
    }
  }
}
description
  "Augmentation for the TE label.";
}

augment "/nw:networks/nw:network/nw:node/tet:te/"
+ "tet:tunnel-termination-point/"
+ "tet:local-link-connectivities/"
+ "tet:local-link-connectivity/tet:underlay/"
+ "tet:primary-path/tet:path-element/tet:type/"
+ "tet:label/tet:label-hop/tet:te-label/tet:technology" {
when '../..../nw:network-types/'
+ 'tet:te-topology/ex-topo:example-topology' {
  description
    "Augmentation parameters apply only for networks with an
    example topology type.";
}
case example {
  container example {
    description
      "Attributes for the example technology.";
    leaf label-1 {

```

```

        type uint32;
        description
            "Label 1 for the example technology.";
    }
}
}
description
    "Augmentation for the TE label.";
}

augment "/nw:networks/nw:network/nw:node/tet:te/"
+ "tet:tunnel-termination-point/"
+ "tet:local-link-connectivities/"
+ "tet:local-link-connectivity/tet:underlay/"
+ "tet:backup-path/tet:path-element/tet:type/"
+ "tet:label/tet:label-hop/tet:te-label/tet:technology" {
when '../..../..../..../..../..../..../..../..../nw:network-types/'
+ 'tet:te-topology/ex-topo:example-topology' {
description
    "Augmentation parameters apply only for networks with an
    example topology type.";
}
case example {
    container example {
        description
            "Attributes for the example technology.";
        leaf label-1 {
            type uint32;
            description
                "Label 1 for the example technology.";
        }
    }
}
description
    "Augmentation for the TE label.";
}

augment "/nw:networks/nw:network/nw:node/tet:te/"
+ "tet:tunnel-termination-point/"
+ "tet:local-link-connectivities/"
+ "tet:local-link-connectivity/tet:path-properties/"
+ "tet:path-route-objects/tet:path-route-object/tet:type/"
+ "tet:label/tet:label-hop/tet:te-label/tet:technology" {
when '../..../..../..../..../..../..../..../..../nw:network-types/'
+ 'tet:te-topology/ex-topo:example-topology' {
description
    "Augmentation parameters apply only for networks with an
    example topology type.";
}
case example {
    container example {
        description
            "Attributes for the example technology.";
        leaf label-1 {
            type uint32;
            description
                "Label 1 for the example technology.";
        }
    }
}
}

```

```

    }
  }
  description
    "Augmentation for the TE label.";
}

/* Under te-link-attributes */

augment "/nw:networks/nw:network/nt:link/tet:te/"
  + "tet:te-link-attributes/"
  + "tet:label-restrictions/tet:label-restriction/"
  + "tet:label-start/tet:te-label/tet:technology" {
  when '../..../..../..../..../nw:network-types/'
  + 'tet:te-topology/ex-topo:example-topology' {
    description
      "Augmentation parameters apply only for networks with an
      example topology type.";
  }
  case example {
    container example {
      description
        "Attributes for the example technology.";
      leaf label-1 {
        type uint32;
        description
          "Label 1 for the example technology.";
      }
    }
  }
}
description
  "Augmentation for the TE label.";
}

augment "/nw:networks/nw:network/nt:link/tet:te/"
  + "tet:te-link-attributes/tet:label-restrictions/"
  + "tet:label-restriction/tet:label-end/"
  + "tet:te-label/tet:technology" {
  when '../..../..../..../..../nw:network-types/'
  + 'tet:te-topology/ex-topo:example-topology' {
    description
      "Augmentation parameters apply only for networks with an
      example topology type.";
  }
  case example {
    container example {
      description
        "Attributes for the example technology.";
      leaf label-1 {
        type uint32;
        description
          "Label 1 for the example technology.";
      }
    }
  }
}
description
  "Augmentation for the TE label.";
}

```

```

augment "/nw:networks/nw:network/nt:link/tet:te/"
  + "tet:te-link-attributes/tet:underlay/"
  + "tet:primary-path/tet:path-element/tet:type/"
  + "tet:label/tet:label-hop/tet:te-label/tet:technology" {
when '../..../..../..../..../..../nw:network-types/'
  + 'tet:te-topology/ex-topo:example-topology' {
  description
    "Augmentation parameters apply only for networks with an
    example topology type.";
}
case example {
  container example {
    description
      "Attributes for the example technology.";
    leaf label-1 {
      type uint32;
      description
        "Label 1 for the example technology.";
    }
  }
}
description
  "Augmentation for the TE label.";
}

augment "/nw:networks/nw:network/nt:link/tet:te/"
  + "tet:te-link-attributes/tet:underlay/"
  + "tet:backup-path/tet:path-element/tet:type/"
  + "tet:label/tet:label-hop/tet:te-label/tet:technology" {
when '../..../..../..../..../..../nw:network-types/'
  + 'tet:te-topology/ex-topo:example-topology' {
  description
    "Augmentation parameters apply only for networks with an
    example topology type.";
}
case example {
  container example {
    description
      "Attributes for the example technology.";
    leaf label-1 {
      type uint32;
      description
        "Label 1 for the example technology.";
    }
  }
}
description
  "Augmentation for the TE label.";
}

/* Under TE link information-source-entry */

augment "/nw:networks/nw:network/nt:link/tet:te/"
  + "tet:information-source-entry/tet:label-restrictions/"
  + "tet:label-restriction/tet:label-start/"
  + "tet:te-label/tet:technology" {
when '../..../..../..../..../..../nw:network-types/'
  + 'tet:te-topology/ex-topo:example-topology' {

```



```
    description
      "Augmentation parameters apply only for networks with an
      example topology type.";
  }
  case example {
    container example {
      description
        "Attributes for the example technology.";
      leaf label-1 {
        type uint32;
        description
          "Label 1 for the example technology.";
      }
    }
  }
  description
    "Augmentation for the TE label.";
}

augment "/nw:networks/nw:network/nt:link/tet:te/"
+ "tet:information-source-entry/tet:label-restrictions/"
+ "tet:label-restriction/tet:label-end/"
+ "tet:te-label/tet:technology" {
  when '../..../nw:network-types/'
+ 'tet:te-topology/ex-topo:example-topology' {
    description
      "Augmentation parameters apply only for networks with an
      example topology type.";
  }
  case example {
    container example {
      description
        "Attributes for the example technology.";
      leaf label-1 {
        type uint32;
        description
          "Label 1 for the example technology.";
      }
    }
  }
  description
    "Augmentation for the TE label.";
}
}
```

Acknowledgments

The authors would like to thank Lou Berger, Sue Hares, Mazen Khaddam, Cyril Margaria, and Zafar Ali for participating in design discussions and providing valuable insights.

Contributors

Sergio Belotti

Nokia

Email: sergio.belotti@nokia.com**Dieter Beller**

Nokia

Email: Dieter.Beller@nokia.com**Carlo Perocchio**

Ericsson

Email: carlo.perocchio@ericsson.com**Italo Busi**

Huawei Technologies

Email: Italo.Busi@huawei.com

Authors' Addresses

Xufeng Liu

Volta Networks

Email: xufeng.liu.ietf@gmail.com**Igor Bryskin**

Futurewei Technologies, Inc.

Email: i_bryskin@yahoo.com**Vishnu Pavan Beeram**

Juniper Networks

Email: vbeeram@juniper.net**Tarek Saad**

Juniper Networks

Email: tsaad@juniper.net**Himanshu Shah**

Ciena

Email: hshah@ciena.com**Oscar Gonzalez de Dios**

Telefonica

Email: oscar.gonzalezdedios@telefonica.com